

Four-ported valves are generally used to operate double-acting cylinders or actuators.

They have four or five pipe connections, commonly called ports:

- One pressure inlet.
- Two cylinder ports providing pressure to the double-acting cylinder or actuator.
- One or two outlets to exhaust pressure from the cylinders.

In a de-energized position, pressure is connected to one cylinder port; the other port is connected to the exhaust. In an energized position, pressure and exhaust are reversed.

Four ports means less piping is required. With five ports, independent speed controls can be mounted in each port.

Three Types of Constructions Apply

Single Solenoid

When the solenoid is energized, the valve shifts, then returns to the original position when de-energized.

Dual Solenoid

When one solenoid is energized, the valve shifts, then returns when the other solenoid is energized. They may be energized momentarily or continuously, but never concurrently. Some valves, both single and dual solenoid, may change position on loss of fluid pressure.

Single Air Operator

When the operator is pressurized, the valve shifts, then returns when the pressure is removed.

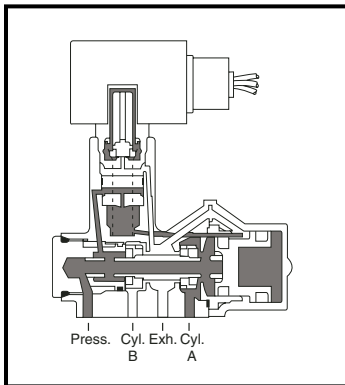
See *Engineering Section* for further details.

Standard and Optional Features

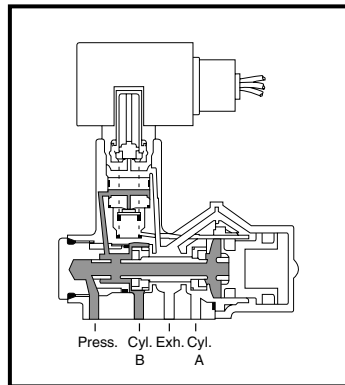
Solenoid valves are supplied, as listed, with either RedHat II molded epoxy solenoids or RedHat solenoids with metal enclosures (except for Series 8401). RedHat II valves are identified by the letter "G" or "H" in their catalog numbers; e.g., 8344-G027. Many optional features may be added to your valves; e.g., high-temperature Class H molded coils and manual operators.

See the *Optional Features Section* for details..

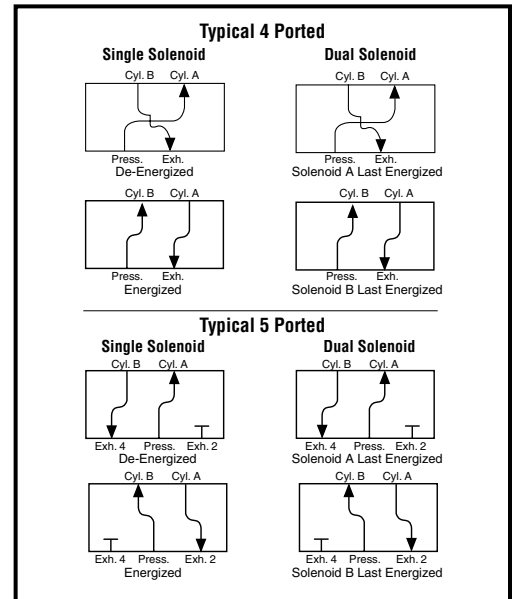
4 and 5-Ported Valves Flow Diagrams



De-Energized



Energized



Index

Series	General Description	Pipe Size (NPT)	Page
8340	Air Only	1/4"	83
8342	General Service	1/4" and 3/8"	87
8344	Piston/Poppet	1/4" - 1"	89
8345	General Service	1/4"	93
8401/8402	Slide Valve	1/4"	95
8551/8553	Inline Spool Valve	1/4" and 1/2"	99
8551/8553	RedHat II Spool Valve	1/4" and 1/2"	101

ASCO TODAY™

Because Time Matters

**ASCO Today delivers the great products you need, when you need them.
Just place your order by 3:00 P.M. EST and ASCO ships TODAY.**

Guaranteed same day shipment or ASCO pays the freight. Over 2000 of ASCO's most popular products qualify for ASCO Today's guarantee. ASCO Today includes our most popular valves, valve rebuild kits, and accessories. As part of our continued drive for customer service, we expanded the ASCO Today program with over 50,000 products that can be shipped within five business days. **5 DAY**

2, 3, & 4-Way Solenoid Valves | Air Operated Valves | Combustion Products | Miniature Valves

Products may vary in Canada, please call 1-519-758-2700 to check availability of specific catalog numbers.

For more information on how you can have the ASCO products you want when you want them, visit us online to see our complete listing of ASCO Today products or call 1-800-972-2726.

