

Features

- 2-way normally closed operation
- Pressures up to 540 psi
- UL and CSA agency approvals
- Suitable for low ambient environments (-13°F standard, -40°F optional)

Construction

Valve Parts in Contact with Fluids		
Body	Brass	Cast 304 Stainless Steel
Seals and Discs	NBR	
Core Tube	305 Stainless Steel	
Core and Plugnut	430F Stainless Steel	
Core Guide	Acetel	
Rider Ring	PTFE	
Springs	Inconel 600	
Shading Coil	Copper	Silver

Electrical

Standard Coil and Class of Insulation	Watt Rating and Power Consumption			Spare Coil Part No.	
	AC			General Purpose	Explosionproof
	Watts	VA Holding	VA Inrush	AC	AC
F	10.1	25	50	238610	238614
F	17.1	40	70	238610	238614

Standard Voltages: 24, 120, 240, 480 volts AC, 60 Hz (or 110, 220 volts AC, 50 Hz).
 Must be specified when ordering. Other voltages available when required.

Solenoid Enclosures

Standard: Watertight, Types 1, 2, 3, 3S, 4, and 4X.

Optional: Explosionproof and Watertight, Types 3, 3S, 4, 4X, 6, 6P, 7, and 9.
 (To order, add prefix "EF" to catalog number)

See *Optional Features Section* for other available options.

Options

Panel Mount (prefix GP)

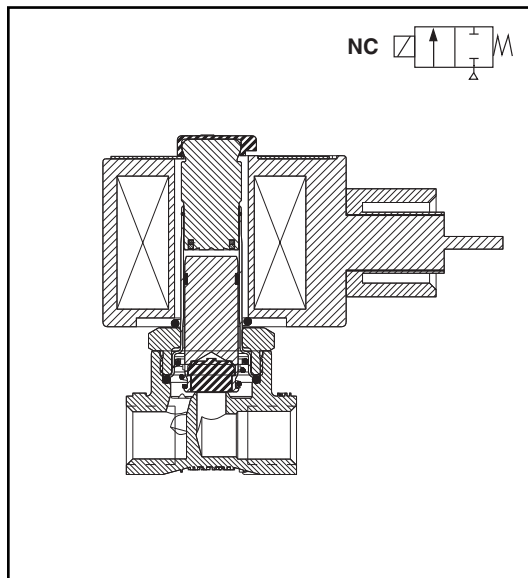
Mounting bracket (suffix MB)

Vacuum Service (suffix VH; see *Vacuum Section* for more details.)

Silicone Free Service (suffix SF)

Elastomers: FKM (suffix V), Low Temp. NBR (suffix A)

Refer to *Engineering Section* for fluid and temperature compatibility.



SPECIAL SERVICE VALVES

Nominal Ambient Temp. Ranges

Standard: -13°F to 131°F (-25°C to 55°C)*

*Max ambient for explosionproof (EF) is 125°F (52°C)

Optional: For AC, the max. ambient temp. is 140°F (60°C) with Class H coil (with or without prefix EF)

Refer to *Engineering Section* for details.

Approvals

CSA certified. UL listed, Safety Shutoff Valves.

Meets applicable CE directives.

Refer to *Engineering Section* for details.

Specifications (English units)

Pipe Size (in)	Orifice Size (in)	Cv Flow Factor	Operating Pressure Differential (psi)		Max. Fluid Temp. °F	Catalog Number		Const. Ref.	UL Listing	Watt Rating/Class of Coil Insulation
			Min.	Max. AC		Brass	Stainless Steel			
Dry Air										
1/4	3/32	0.21	0	540	180	8262H109P	8262H183P	1	○	17.1/F
1/4	3/32	0.21	0	380	180	8262H108P	8262H182P	1	○	10.1/F
1/4	1/8	0.35	0	325	180	8262H110P	8262H185P	1	○	17.1/F
1/4	1/8	0.35	0	265	180	8262H232P	8262H184P	1	○	10.1/F
1/4	5/32	0.60	0	175	180	8262H112P	8262H187P	1	○	17.1/F
1/4	5/32	0.60	0	140	180	8262H202P	8262H220P	1	○	10.1/F
1/4	7/32	0.87	0	125	180	8262H114P	8262H188P	1	○	17.1/F
1/4	7/32	0.87	0	90	180	8262H208P	8262H226P	1	○	10.1/F
1/4	9/32	1	0	75	180	8262H212P	8262H230P	1	○	17.1/F
1/4	9/32	1	0	50	180	8262H210P	8262H189P	1	○	10.1/F

○ = Safety Shutoff Valve

Specifications (Metric units)

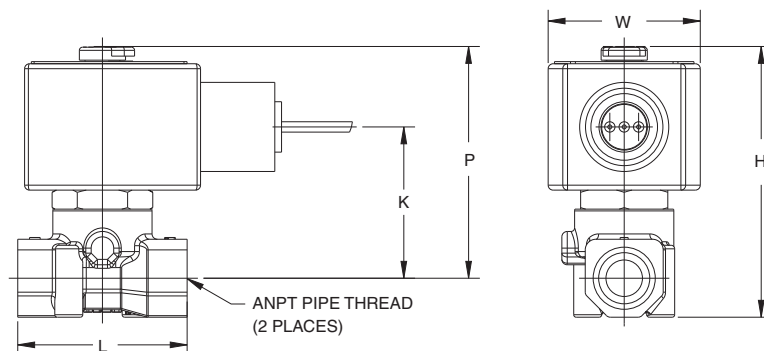
Pipe Size (in)	Orifice Size (mm)	Kv Flow Factor (m³/h)	Operating Pressure Differential (bar)		Max. Fluid Temp. °C	Catalog Number		Const. Ref.	UL Listing	Watt Rating/Class of Coil Insulation
			Min.	Max. AC		Brass	Stainless Steel			
Dry Air										
1/4	2.4	0.18	0	37	82	8262H109P	8262H183P	1	○	17.1/F
1/4	2.4	0.18	0	26	82	8262H108P	8262H182P	1	○	10.1/F
1/4	3.2	0.30	0	22	82	8262H110P	8262H185P	1	○	17.1/F
1/4	3.2	0.30	0	18	82	8262H232P	8262H184P	1	○	10.1/F
1/4	4.0	0.52	0	12	82	8262H112P	8262H187P	1	○	17.1/F
1/4	4.0	0.52	0	10	82	8262H202P	8262H220P	1	○	10.1/F
1/4	5.6	0.75	0	9	82	8262H114P	8262H188P	1	○	17.1/F
1/4	5.6	0.75	0	6	82	8262H208P	8262H226P	1	○	10.1/F
1/4	7.1	0.86	0	5	82	8262H212P	8262H230P	1	○	17.1/F
1/4	7.1	0.86	0	3	82	8262H210P	8262H189P	1	○	10.1/F

○ = Safety Shutoff Valve

Dimensions: inches (mm)

Const. Ref.		H	K	L	P	W
1	ins	3.12	1.77	1.56	2.76	1.95
	mm	79	45	40	70	50

Const. Ref. 1



SPECIAL SERVICE VALVES