

## Features

- Compact gas valves for OEM applications
- 2-way normally closed operation
- For control of commercial ovens and gas generators
- Valves available with optional 1/8" NPT pipe tap(s) with plug(s) for routine testing

**Fluid:** Fuel Gas

## Construction

Valve Parts in Contact with Fluids		
Sizes	1/8", 1/4"	3/8", 1/2", 3/4"
Body	Aluminum	
Seals and Disc	LT NBR	
Core Tube	305 Stainless Steel	
Core Guide	-	POM
Rider Ring	-	PTFE
Core and Plugnut*	430F Stainless Steel	
Springs	302 Stainless Steel	
Shading Coil	Copper	
Pipe Plug(s)	Zinc Plated Steel	

\* Zinc Plated Steel for 1/8" & 1/4" DC versions

## Electrical

Standard Coil and Class of Insulation	Watt Rating and Power Consumption				Ambient Temp.*F	Spare Coil Family					
	DC Watts	AC				Open Frame			Watertight		
		Watts	Holding	VA Inrush		Spade	Leads				
		AC	AC	DC		AC	DC	AC	AC		
F	-	6.0*	16	53	-40 to 175	204558	-	99216	-	-	-
F	15.3	-	-	-	-40 to 175	-	204838	-	103833	-	-
F	-	7.1*	16	42	-40 to 175	-	-	-	-	238210	-
F	10.6	-	-	-	-40 to 175	-	-	-	-	-	238310
F	9.7	-	-	-	-40 to 175	-	204838	-	-	-	-

\* On 50Hz service the watt rating for 6.0 solenoid is 7.3 watts; 7.1 solenoid is 8.1 watts.  
**Standard Voltages:** 24, 120, 240 volts AC, 60 Hz (or 110, 220 volts AC, 50 Hz); 12, 24 volts DC.

## Solenoid Enclosures

**Open Frame (1/8", 1/4" sizes):** Spade terminals only.

**Open Frame (3/8", 1/2", 3/4" sizes):** Either spade terminals or 18" leads.

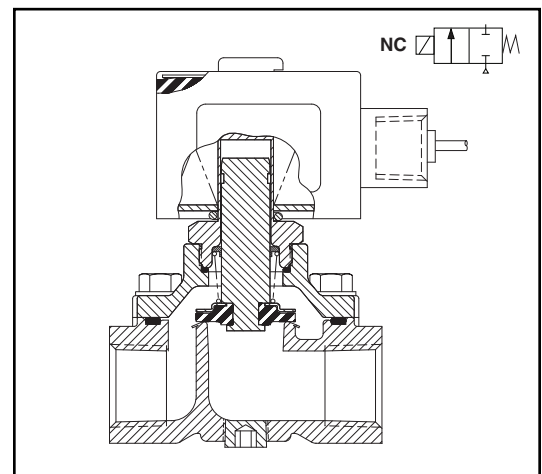
**Watertight (3/8", 1/2", 3/4" sizes):** Molded epoxy Type 4 and 4X with 1/2" metal conduit hub and 18" leads.

**Valve Opening/ Closing Time:** Less than 1 second

**Options:** Mounting bracket, coil with 72" leads.

## How to Order (Example - 8040A131L0400F3)

<b>8040A131</b>	<b>L0</b>	<b>400</b>	<b>F3</b>
↓	↓	↓	↓
<b>Base Catalog Number</b> Refer to the Specifications Section	<b>Electrical Interface</b>	<b>Valve Construction</b>	<b>Voltage</b>
	L0 Open Frame Lead (18") L7 Open Frame Lead (72") 0D Open Frame Spade C0 Watertight RHIII 1/2" Conduit Lead (18") C7 Watertight RHIII 1/2" Conduit Lead (72")	400 LT NBR disc, NBR seals w/o mounting bracket C00 LT NBR disc, NBR seals with mounting bracket	AC F4 24/60 F0 120/60, 110/50 F6 240/60, 220/50 DC F3 12V



## Approvals

**Open Frame:** UL recognized component to standard 429 "Electrically Operated Valves", Guide Y10Z2, File MP618 Safety Valves.

**Watertight:** UL listed to standard 429 "Electrically Operated Valve", Guide Y10Z File MP618 Safety Valves.

Open Frame/Watertight: CSA Certified to:

- 1) Standard C22.2 No. 139 "Electrically Operated Valves"
- 2) Automatic Gas Valves ANSI Z21.21 CSA 6.5 C/I, File 112872

**Specifications (English units)**

Pipe Size (in)	Orifice Size (in)	Cv Flow Factor	Gas Capacity		Max. Operating Pressure Differential (psi)		Max. Fluid Temp. °F	Base Catalog Number ③	Const. Ref.	Agency		Wattage		Approx. Shipping Weight (lbs)
			Btu/hr ①	Btu/hr ②	Min.	Max.				UL	CSA	AC	DC	
<b>Open Frame</b>														
1/8	5/16	1	53,700	206,000	0	5	125	8040C106 ⑥	5	○	○	6.0 ④	-	1.3
1/4	5/16	1.1	59,000	226,000	0	5	125	8040C107 ⑥	5	○	○	6.0 ④	-	1.3
3/8	3/4	4.3	229,000	384,000	0	1	175	8040A131	1	○	○	6.0 ④	-	2
1/2	3/4	5	267,000	446,000	0	1	175	8040A132	1	○	○	6.0 ④	-	2
3/4	3/4	8.8	470,000	786,000	0	1	175	8040A133	2	○	○	6.0 ④	-	2
1/8	5/16	1	53,700	127,000	0	2	125	8040C106 ⑥	5	○	○	-	9.7	1.3
1/4	5/16	1.1	59,000	140,000	0	2	125	8040C107 ⑥	5	○	○	-	9.7	1.3
3/8	3/4	4.3	229,000	332,000	0	1.75	125	8040A131	1	○	○	-	15.3	2
1/2	3/4	4.9	261,000	378,000	0	1.75	125	8040A132	1	○	○	-	15.3	2
3/4	3/4	8.1	433,000	626,000	0	1.75	125	8040A133	2	○	○	-	15.3	2
<b>Watertight</b>														
3/8	3/4	4.3	229,000	384,000	0	1	175	8040G131	3	○	○	7.1 ⑤	-	2.5
1/2	3/4	5	267,000	446,000	0	1	175	8040G132	3	○	○	7.1 ⑤	-	2.5
3/4	3/4	8.8	470,000	786,000	0	1	175	8040G133	4	○	○	7.1 ⑤	-	2.5
3/8	3/4	4.3	229,000	332,000	0	0.5	125	8040G131	3	○	○	-	10.6	2.5
1/2	3/4	4.9	261,000	378,000	0	0.5	125	8040G132	3	○	○	-	10.6	2.5
3/4	3/4	8.1	433,000	626,000	0	0.5	125	8040G133	4	○	○	-	10.6	2.5

○= Safety Shutoff valve  
 ① 1" W.C. Drop @ 2" W.C. Inlet Pressure, 1000 Btu/cu.ft. or more, 0.64 Specific Gravity Gas  
 ② Per CSA 6.5 @ 25% inlet pressure/ 10% pressure drop  
 ③ For optional upstream & downstream pipe taps in body, change 6th digit in Base Catalog to "0" (ex: 8040A031)  
 ④ On 50Hz service the watt rating for 6.0 solenoid is 7.3 watts  
 ⑤ On 50Hz service the watt rating for 7.1 solenoid is 8.1 watts  
 ⑥ Available with Open Frame Spade enclosure only (See How to Order, Electrical Interface code "0D")

**Specifications (Metric units)**

Pipe Size (in)	Orifice Size (mm)	Kv Flow (m³/hr)	Gas Capacity		Max. Operating Pressure Differential (bar)		Max. Fluid Temp. °C	Base Catalog Number ③	Const. Ref.	Agency		Wattage		Approx. Shipping Weight (kgs)
			Btu/hr ①	Btu/hr ②	Min.	Max.				UL	CSA	AC	DC	
<b>Open Frame</b>														
1/8	8	0.90	53,700	206,000	0	0.34	52	8040C106 ⑥	5	○	○	6.0 ④	-	0.6
1/4	8	0.95	59,000	226,000	0	0.34	52	8040C107 ⑥	5	○	○	6.0 ④	-	0.6
3/8	19	3.6	229,000	384,000	0	0.07	79	8040A131	1	○	○	6.0 ④	-	0.9
1/2	19	4.3	267,000	446,000	0	0.07	79	8040A132	1	○	○	6.0 ④	-	0.9
3/4	19	7.5	470,000	786,000	0	0.07	79	8040A133	2	○	○	6.0 ④	-	0.9
1/8	8	0.90	53,700	127,000	0	0.14	52	8040C106 ⑥	5	○	○	-	9.7	0.6
1/4	8	0.95	59,000	140,000	0	0.14	52	8040C107 ⑥	5	○	○	-	9.7	0.6
3/8	19	3.6	229,000	332,000	0	0.05	52	8040A131	1	○	○	-	15.3	0.9
1/2	19	4.2	261,000	378,000	0	0.05	52	8040A132	1	○	○	-	15.3	0.9
3/4	19	6.9	433,000	626,000	0	0.05	52	8040A133	2	○	○	-	15.3	0.9
<b>Watertight</b>														
3/8	19	3.6	229,000	511,000	0	0.12	79	8040G131	3	○	○	7.1 ⑤	-	1.1
1/2	19	4.3	267,000	594,000	0	0.12	79	8040G132	3	○	○	7.1 ⑤	-	1.1
3/4	19	7.5	470,000	1,045,000	0	0.12	79	8040G133	4	○	○	7.1 ⑤	-	1.1
3/8	19	3.6	229,000	-	0	0.03	52	8040G131	3	○	○	-	10.6	1.1
1/2	19	4.2	261,000	-	0	0.03	52	8040G132	3	○	○	-	10.6	1.1
3/4	19	6.9	433,000	-	0	0.03	52	8040G133	4	○	○	-	10.6	1.1

○= Safety Shutoff valve  
 ① 1" W.C. Drop @ 2" W.C. Inlet Pressure, 1000 Btu/cu.ft. or more, 0.64 Specific Gravity Gas  
 ② Per CSA 6.5 @ 25% inlet pressure/ 10% pressure drop  
 ③ For optional upstream & downstream pipe taps in body, change 6th digit in Base Catalog to "0" (ex: 8040A031)  
 ④ On 50Hz service the watt rating for 6.0 solenoid is 7.3 watts  
 ⑤ On 50Hz service the watt rating for 7.1 solenoid is 8.1 watts  
 ⑥ Available with Open Frame Spade enclosure only (See How to Order, Electrical Interface code "0D")

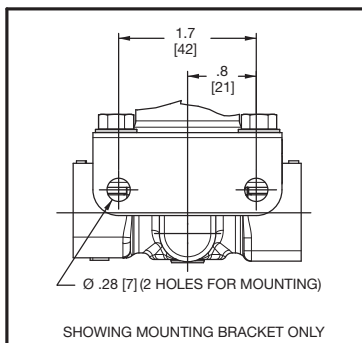
COMBUSTION

### Dimensions inches (mm)

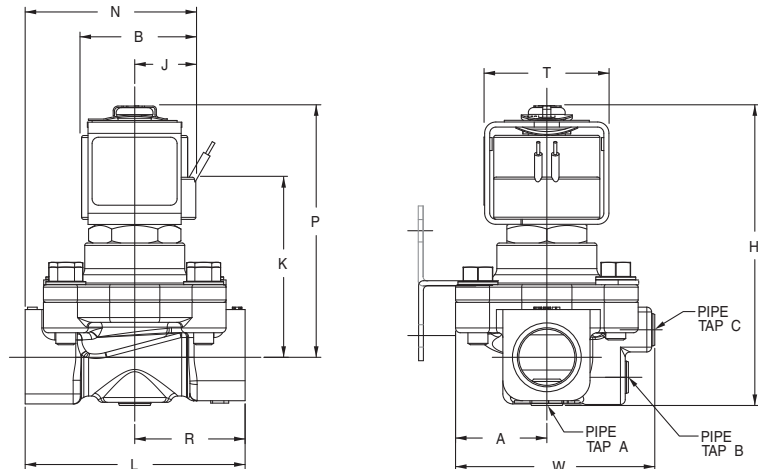
Const. Ref.		1	2	3	4
A	in	29	29	29	29
	mm	1.1	1.1	1.1	1.1
B	in	51	51	70	70
	mm	2.0	2	2.8	2.8
H	in	96	107	96	107
	mm	3.8	4.2	3.8	4.2
J	in	33	33	48	48
	mm	1.3	1.3	1.9	1.9
K	in	73	77	60	65
	mm	2.9	3.1	2.4	2.6
L	in	70	84	70	84
	mm	2.8	3.3	2.8	3.3
N	in	68	75	83	90
	mm	2.7	3	3.3	3.5
R	in	35	42	35	42
	mm	1.4	1.7	1.4	1.7
P	in	82.0	87	82	87
	mm	3.2	3.4	3.2	3.4
T	in	40.0	40	43	43
	mm	1.6	1.6	1.7	1.7
W	in	62	59	62	59
	mm	2.4	2.3	2.4	2.3
Pipe Taps (Optional)		B & C	A & C	B & C	A & C

Mountable in any position (AC)  
Must be mounted with solenoid vertical and upright (DC)

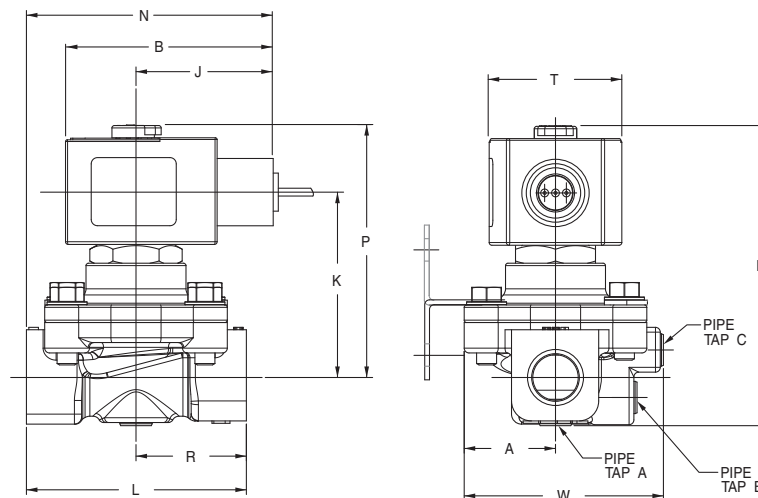
#### Mounting Bracket (Const. Ref. 1-4)



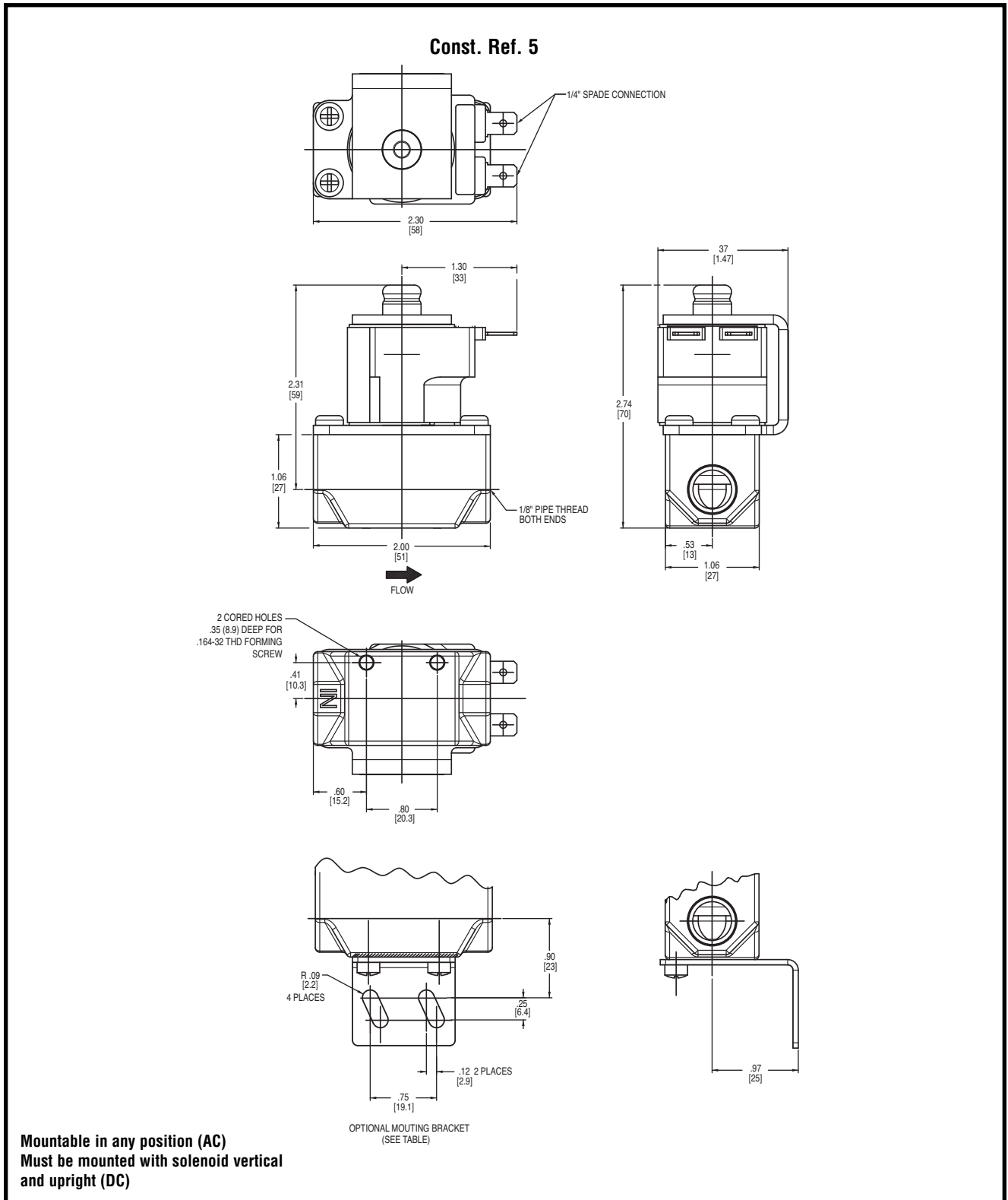
#### Const. Ref. 1, 2



#### Const. Ref. 3, 4



Dimensions inches (mm)



COMBUSTION