

Features

- 2-way normally closed operation
- Die-cast aluminum bodies
- Zero differential piloted diaphragm
- For on-off control of fuel gas in commercial and industrial gas burners
- Valves provided with 1/8" NPT upstream and downstream pipe taps with plugs for routine testing
- 5 lb. closing spring for high force shut-off

Fluid

Fuel Gas

Construction

| Valve Parts in Contact with Fluids | |
|------------------------------------|----------------------|
| Body | Aluminum |
| Seals and Disc | NBR |
| Core Tube | 305 Stainless Steel |
| Core and Plugnut | 430F Stainless Steel |
| Springs | 302F Stainless Steel |
| Shading Coil | Copper |
| Pipe Plug | Zinc-Plated Steel |

Electrical

| Standard Coil and Class of Insulation | Watt Rating and Power Consumption | | | Ambient Temp. °F | Spare Coil Family | |
|---------------------------------------|-----------------------------------|------------|-----------|------------------|-------------------|----------------|
| | AC | | | | General Purpose | Explosionproof |
| | Watts | VA Holding | VA Inrush | | AC | AC |
| H | 59.5 | 122 | 600 | 32 to 104 | 224195 | - |
| H | 66 | 160 | 936 | 32 to 104 | 224195 | - |

Standard Voltages: 120, 240 volts AC, 60 Hz.

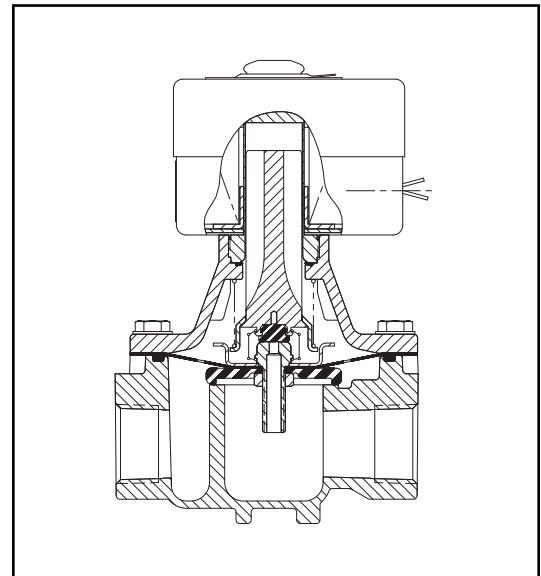
Solenoid Enclosures

RedHat metal Type 1 General Purpose housing with 7/8" knock-out for 1/2" conduit connection.

Valve Response Time

Opening Time: Less than 1 second

Closing Time: Less than 1 second



Approvals

UL listed to standard 429 "Electrically Operated Valves," Guide Y10Z, File MP618, Safety Valves.

FM Approved to Class 7400 "Liquid and Gas Safety Shutoff Valves" (3/4" only).

CSA Certified to:

- 1) Standard C22.2 No 139 "Electrically Operated Valves," File 010381.
- 2) Automatic Gas Valves ANSI Z21.21, CSA 6.5 C/1 Safety Shutoff, File 112872.

COMBUSTION

Specifications (English units)

| Pipe Size (in) | Orifice Size (in) | Cv Flow Factor | Gas Capacity ① | Operating Pressure Differential (psi) | | Max. Fluid Temp. °F | Catalog Number | Const. Ref. | Agency | | | Wattage |
|--|-------------------|----------------|----------------|---------------------------------------|------|---------------------|----------------|-------------|--------|----|-----|---------|
| | | | Btu/hr. | Min. | Max. | | | | UL | FM | CSA | |
| COMBUSTION (Fuel Gas) - NORMALLY CLOSED | | | | | | | | | | | | |
| 3/4 | 1 5/8 | 12.2 | 650,000 | 0 | 20 | 104 | 8042D035 | 1 | ○ | ○ | ○ | 59.5 |
| 1 | 1 5/8 | 24 | 1,290,000 | 0 | 20 | 104 | 8042C045 | 2 | ○ | - | ○ | 59.5 |
| 1 1/4 | 1 5/8 | 35 | 1,900,000 | 0 | 20 | 104 | 8042C055 | 2 | ○ | - | ○ | 59.5 |
| 1 1/2 | 1 5/8 | 40 | 2,145,000 | 0 | 20 | 104 | 8042C065 | 2 | ○ | - | ○ | 59.5 |
| 2 | 2 3/32 | 60 | 3,241,000 | 0 | 20 | 104 | 8042C075 | 3 | ○ | - | ○ | 59.5 |
| 2 1/2 | 3 | 120 | 6,467,500 | 0 | 5 | 104 | 8042C085 | 4 | ○ | - | ○ | 66.0 |
| 3 | 3 | 130 | 7,002,500 | 0 | 5 | 104 | 8042C095 | 4 | ○ | - | ○ | 66.0 |

○ = Safety Shutoff Valve. ① 1" W.C. Drop @ 2" W.C. Inlet Pressure, 1,000 Btu/cu.ft. or more, 0.64 Specific Gravity Gas.

Specifications (Metric units)

| Pipe Size (in) | Orifice Size (mm) | Kv Flow (m³/hr) | Gas Capacity ① | Operating Pressure Differential (bar) | | Max. Fluid Temp. °C | Catalog Number | Const. Ref. | Agency | | | Wattage |
|--|-------------------|-----------------|----------------|---------------------------------------|------|---------------------|----------------|-------------|--------|----|-----|---------|
| | | | Btu/hr. | Min. | Max. | | | | UL | FM | CSA | |
| COMBUSTION (Fuel Gas) - NORMALLY CLOSED | | | | | | | | | | | | |
| 3/4 | 41 | 10.4 | 650,000 | 0 | 1.4 | 40 | 8042D035 | 1 | ○ | ○ | ○ | 59.5 |
| 1 | 41 | 20.4 | 1,290,000 | 0 | 1.4 | 40 | 8042C045 | 2 | ○ | - | ○ | 59.5 |
| 1 1/4 | 41 | 29.8 | 1,900,000 | 0 | 1.4 | 40 | 8042C055 | 2 | ○ | - | ○ | 59.5 |
| 1 1/2 | 41 | 34.0 | 2,145,000 | 0 | 1.4 | 40 | 8042C065 | 2 | ○ | - | ○ | 59.5 |
| 2 | 53 | 51.0 | 3,241,000 | 0 | 1.4 | 40 | 8042C075 | 3 | ○ | - | ○ | 59.5 |
| 2 1/2 | 76 | 102.0 | 6,467,500 | 0 | 0.3 | 40 | 8042C085 | 4 | ○ | - | ○ | 66.0 |
| 3 | 76 | 110.5 | 7,002,500 | 0 | 0.3 | 40 | 8042C095 | 4 | ○ | - | ○ | 66.0 |

○ = Safety Shutoff Valve. ① 1" W.C. Drop @ 2" W.C. Inlet Pressure, 1,000 Btu/cu.ft. or more, 0.64 Specific Gravity Gas.

Capabilities Chart

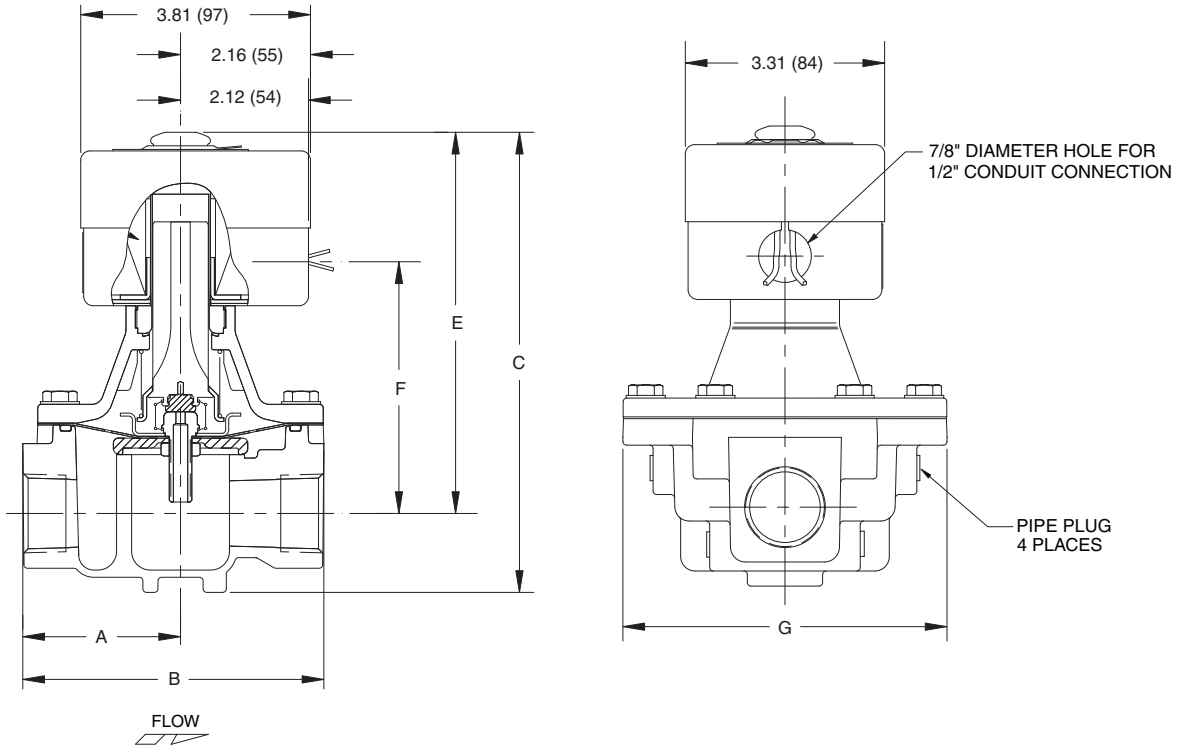
| Solenoid Options | | Resilient Materials | Base Catalog Number | Standard Rebuild Kit |
|------------------|--------------|---------------------|---------------------|----------------------|
| Rainproof | Junction Box | NBR | Aluminum | AC |
| R | JB | ● | 8042D035 | 304081 |
| R | JB | ● | 8042C045 | 304081 |
| R | JB | ● | 8042C055 | 304081 |
| R | JB | ● | 8042C065 | 304081 |
| R | JB | ● | 8042C075 | 304082 |
| R | JB | ● | 8042C085 | 304083 |
| R | JB | ● | 8042C095 | 304083 |

● = Standard. Other options may be available. All option combinations may not be available.

COMBUSTION

Dimensions inches (mm)

| Const. Ref. | | A | B | C | E | F | G |
|-------------|----|------|------|-------|------|------|------|
| 1 | in | 2.62 | 5.00 | 7.66 | 6.34 | 4.19 | 5.38 |
| | mm | 67 | 127 | 195 | 161 | 106 | 137 |
| 2 | in | 2.62 | 5.00 | 7.66 | 6.39 | 4.25 | 5.38 |
| | mm | 67 | 127 | 195 | 162 | 108 | 137 |
| 3 | in | 3.28 | 6.09 | 8.36 | 6.86 | 4.72 | 6.32 |
| | mm | 83 | 155 | 212 | 174 | 120 | 161 |
| 4 | in | 3.89 | 7.80 | 10.22 | 7.89 | 5.75 | 7.99 |
| | mm | 99 | 198 | 260 | 200 | 146 | 203 |



Must be mounted with solenoid vertical and upright.

