

Features

- 2-way normally closed operation
- For control of commercial and industrial gas pilot controls
- Brass body construction
- Mountable in any position
- Direct lift with resilient soft sealing for tight shutoff

Fluid

Fuel Gas

Construction

Valve Parts in Contact with Fluids	
Body	Brass
Core Tube/ Bonnet	Stainless Steel / Plated Steel
Core and Plugnut	Stainless Steel
Springs	Stainless Steel
Seals and Disc	NBR / FKM
Shading Coil	Copper

Electrical

Prefix	Standard Coil and Class of Insulation	Watt Rating and Power Consumption				Ambient Temp. °F	Spare Coil Family	
		DC Watts	AC		AC		DC	
			Watts	VA Holding				VA Inrush
U	F	6.9	6.3	8.8	12.1	-22 to 140	400117	400117
SC	F	6.9	6.3	8.8	12.1	-22 to 140	400127	400127

Standard voltages: 24, 120, 240 volts AC, 50-60 Hz. 12, 24, 120 volts DC
 Must be specified when ordering.

Solenoid Enclosures

Standard: Open frame (Prefix U) 18" leads

Optional: DIN (size 11mm, form B) (Prefix SC). Watertight/IP-65 when used with DIN connector kit for SC coils (see kits below).

Valve Response Time

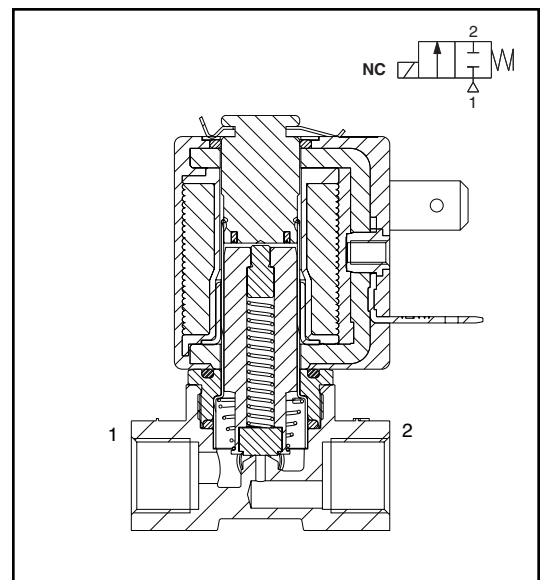
Opening Time: Less than 1 second

Closing Time: Less than 1 second

Kits

1/2" NPT conduit hub kit for leaded coils 224735-001-*
 (Kit contains 10 pcs. of each: threaded hub, gasket and attaching screw.)

DIN connector kit for SC coils 226061-001-*
 (Kit contains 10 pcs of each: connector, gasket, and attaching screw.)



Approvals

UL recognized component to standard 429 "Electrically Operated Valves," Guide Y10Z2, File MP618 Safety Shutoff Valves.

CSA Certified to:

- 1) Standard C22.2 No. 139 "Electrically Operated Valves," File 235078.
- 2) Automatic Gas Valves Z21.21 (6.5), File 235078.
- 3) Automatic Gas Safety Shutoff Valves C/I (3.9), File 235078.

COMBUSTION

Specifications (English units)

Pipe Size (in)	Orifice Size (in)	Cv Flow Factor	Gas Capacity Φ Btu/hr.	Operating Pressure Differential (psi)			Min. Fluid Temp. °F	Max. Fluid Temp. °F		Brass	Wattage		Approx. Shipping Weight (lbs.)
				Min.	Max. AC	Max. DC		AC	DC				
					Fuel Gas	Fuel Gas							
Fuel Gas Shutoff - Normally Closed													
1/8	7/64	0.16	9000	0	200	65	-22	180	180	U8256A091V	6.3	6.9	0.5

Φ 1" W.C. Drop @ 2" W.C. Inlet Pressure, 1,000 Btu/cu.ft. or more, 0.64 Specific Gravity Gas.

Specifications (Metric units)

Pipe Size (in)	Orifice Size (mm)	Kv Flow Factor (m ² /hr)	Gas Capacity Φ Btu/hr.	Operating Pressure Differential (bar)			Min. Fluid Temp. °C	Max. Fluid Temp. °C		Brass	Wattage		Approx. Shipping Weight (kgs.)
				Min.	Max. AC	Max. DC		AC	DC				
					Fuel Gas	Fuel Gas							
Fuel Gas Shutoff - Normally Closed													
1/8	2.8	0.14	9000	0	14	4	-30	82	82	U8256A091V	6.3	6.9	0.22

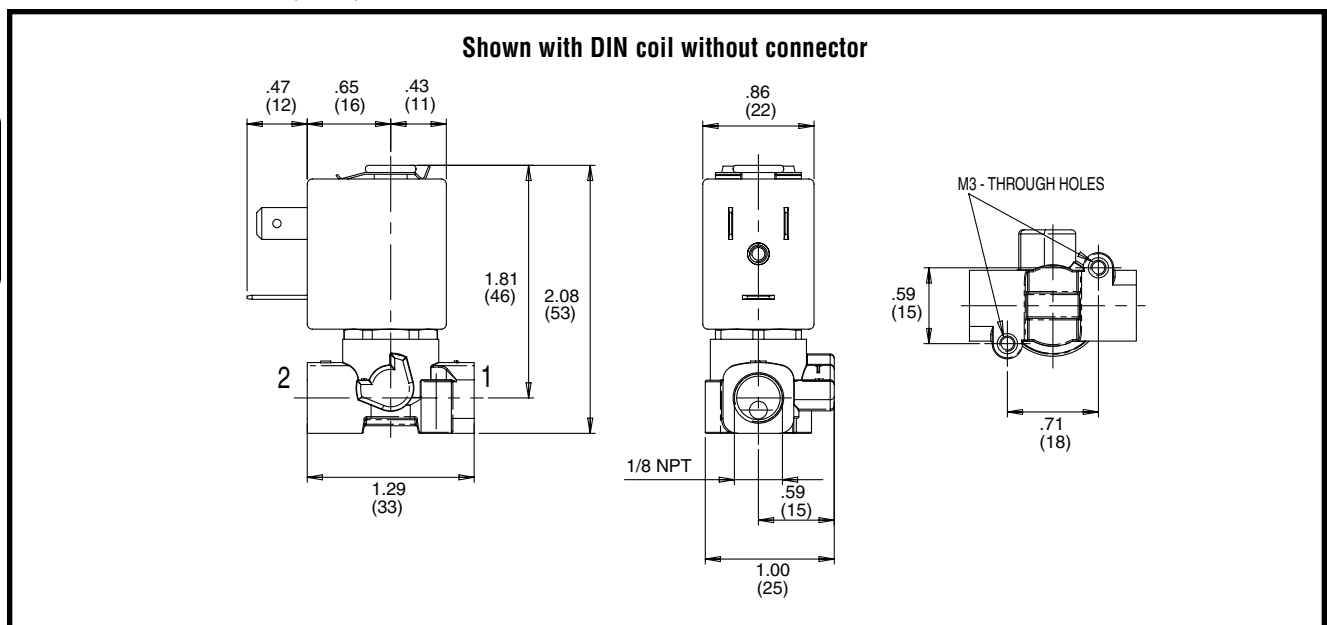
Φ 1" W.C. Drop @ 2" W.C. Inlet Pressure, 1,000 Btu/cu.ft. or more, 0.64 Specific Gravity Gas.

Capabilities Chart

Solenoid Options Φ							Base Catalog Number	Resilient Materials							Other	Standard Rebuild Kit		
NEMA Type 3-9	High Temp. DIN	Wiring Box Screw Terminal	Multipin	DIN	Spade	Open Frame with Leads	Brass	NBR	FKM	EPDM	RUBY	Oxygen Service	PTFE	Urethane	Vacuum	Manual Operator	Mounting Bracket	Brass AC/DC
-	-	-	-	SC	-	●		U8256A091V	-	●	-	-	-	-	-	-	-	

● = Standard. Φ Replace U prefix with SC prefix.

Dimensions: inches (mm)



COMBUSTION