

### Features

- High flow due to angled seat design
- Anti-water hammer design (fluid entry under the disc)
- Actuator rotatable through 360°
- 2-way normally closed operation
- Fluid isolation between electrical actuator and valve body
- LEDs identify valve position and status
- Vacuum service up to  $7 \times 10^{-3}$  Torr
- RoHS 2 compliant
- Ideal for "Lead Free" applications
- Feedback signal for 24 VDC and 24 to 48 AC

### General

**Fluid:** Air, inert gas, liquids (water, oil, light slurries)  
**Fluid Temperature Range:** 14°F to 194°F (-10°C to 90°C)  
**Ambient Temperature Range:** 14°F to 122°F (-10°C to 50°C)  
**Maximum Viscosity:** 2,700 SSU  
**Response Time:** < 1.3 sec. (opening) / < 1.3 sec. (closing)

### Construction

Valve Parts in Contact with Fluids	
Valve Body	316L Stainless Steel
Operator	Translucent Polyamide (PA)
Stuffing Box Housing	PBT (Thermoplastic Polyester Resin), 30% fiberglass reinforced
Stem Valve	303 Stainless Steel
Stuffing Box Packing	NBR
Wiper Seal	NBR
Disc Seal	NBR

### Electrical

Connector	DIN Plug (ISO 4400 Form A)
Power Consumption	12 W (operating), 0 W (holding) Max peak current: 0.7 A (startup)
Visual Indication	LED
Enclosure	IP65
Standard Voltages	DC: 24V AC: 110 to 250V / 50-60 Hz 24 to 48V / 50-60 Hz
Duty Cycle	12 cycles/min at 14°F (-10°C) 4 cycles/min at 122°F (50°C)

### How to Order

8290C52V0KEFC

+

V1

Base Catalog Number

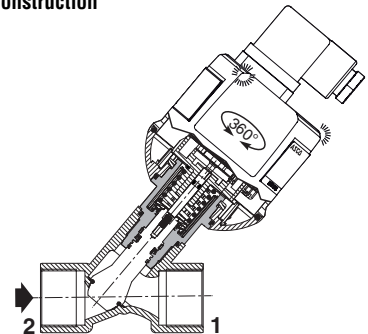
Refer to the Specifications Section

Voltage Code

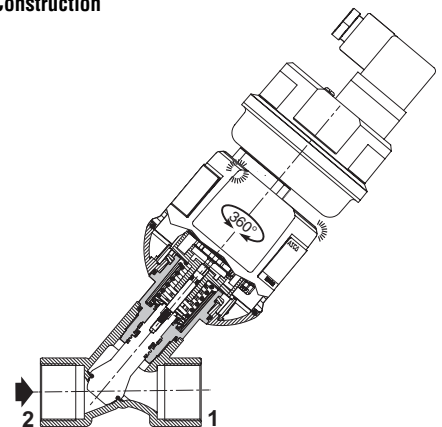
V1 24 VDC  
 VW 110 to 250V / 50-60 Hz  
 UA 24 to 40V / 50-60 Hz



### DC Construction



### AC Construction



### Approvals

Meets applicable CE directives with provisions of ROHS 2 directive.

SPECIAL  
SERVICE VALVES

**Specifications (English units)**

Pipe Size (in)	Cv Flow Factor	Operating Pressure Differential (psi)		Max. Fluid Temp. °F	Base Catalog Number	Voltage Code			Const. Ref.		Approx. Shipping Weight (lbs)	
		Min.	Max.			24V (DC)	110 to 250V (50-60 Hz)	24 to 48V (50-60 Hz)	DC	AC	DC	AC
<b>Normally Closed - Entry under the disc</b>												
3/8	3.1	0	87	194	8290C52V0KEFC	V1	VW	UA	1	2	1.2	1.4
1/2	4.4	0	72	194	8290C53V0KEFC				1	2	1.2	1.4
3/4	6.9	0	58	194	8290C54V0KEFC				1	2	1.2	1.4

**Specifications (Metric units)**

Pipe Size (in)	Kv Flow Factor (m³/h)	Operating Pressure Differential (bar)		Max. Fluid Temp. °C	Base Catalog Number	Voltage Code			Const. Ref.		Approx. Shipping Weight (kgs)	
		Min.	Max.			24V (DC)	110 to 250V (50-60 Hz)	24 to 48V (50-60 Hz)	DC	AC	DC	AC
<b>Normally Closed - Entry under the disc</b>												
3/8	2.7	0	6	90	8290C52V0KEFC	V1	VW	UA	1	2	0.55	0.65
1/2	3.8	0	5	90	8290C53V0KEFC				1	2	0.55	0.65
3/4	6	0	4	90	8290C54V0KEFC				1	2	0.55	0.65

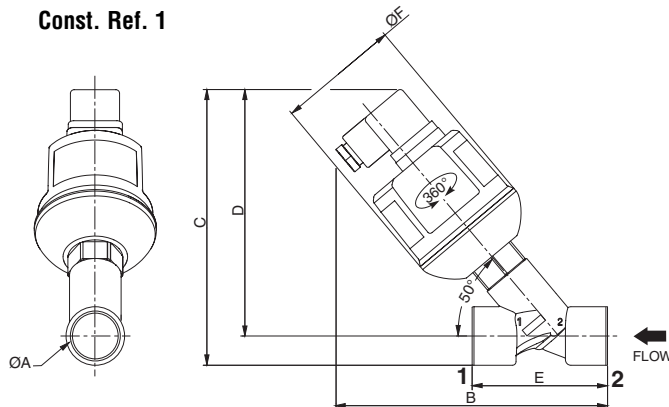
**Dimensions inches (mm)**

Const. Ref.		ØA	B	C	D	E	ØF
<b>DC Version</b>							
1	in	3/8	5.3	5.6	5.1	2.2	2.6
			135	141	129	55	67
	mm	1/2	5.6	5.7	5.2	2.6	2.6
			142	145	131	65	67
	in	3/4	5.9	6	5.4	3	2.6
			150	152	136	75	67
<b>AC Version</b>							
2	in	3/8	6.7	7.4	6.9	2.2	2.8
			171	189	175	55	71
	mm	1/2	7	7.5	7	2.6	2.8
			178	191	177	65	71
	in	3/4	7.3	7.7	7.1	3	2.8
			186	196	180	75	71

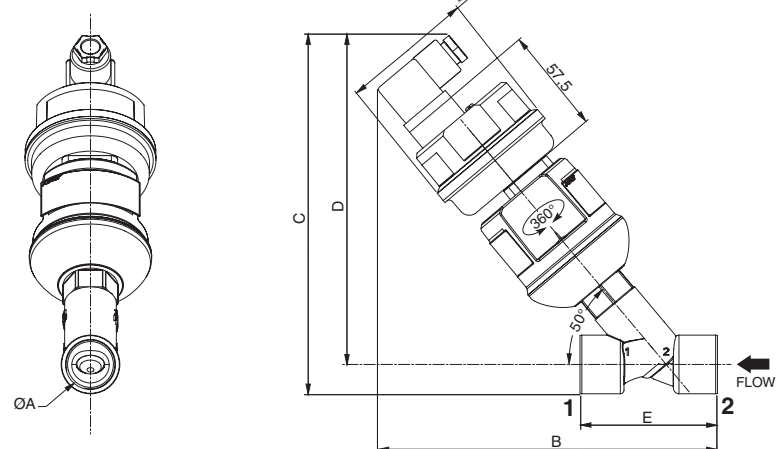
**Replacement DC to AC Adapter**

Catalog Number	Voltage
P290CA430078001	110 to 250V/50-60 Hz
P290CA438907007	24 to 48V/50-60 Hz

**Const. Ref. 1**



**Const. Ref. 2**

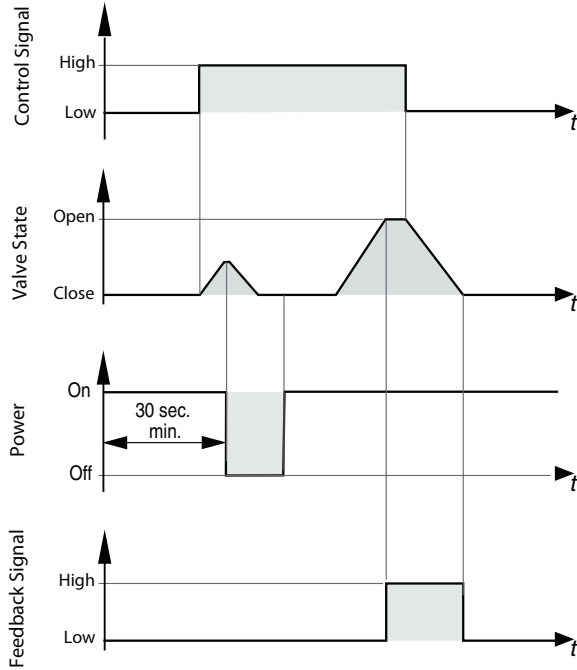


Valves can be mounted in any position.

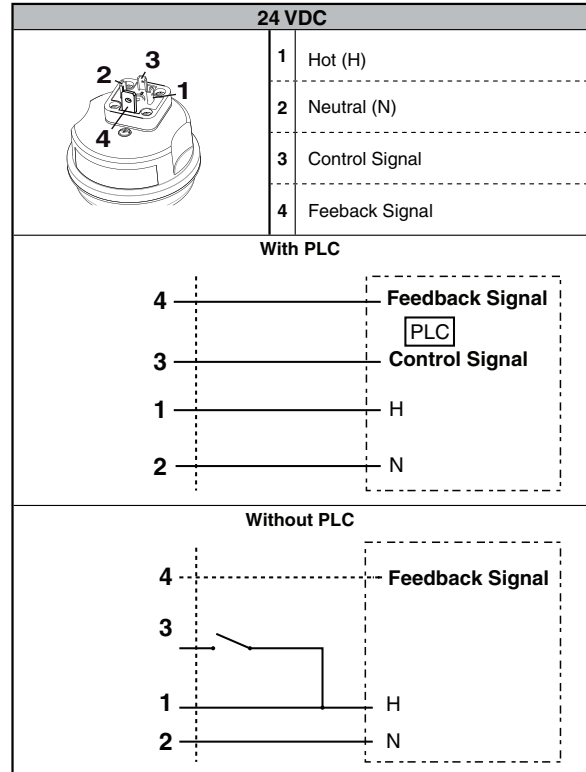
SPECIAL SERVICE VALVES

## OPERATING DIAGRAM

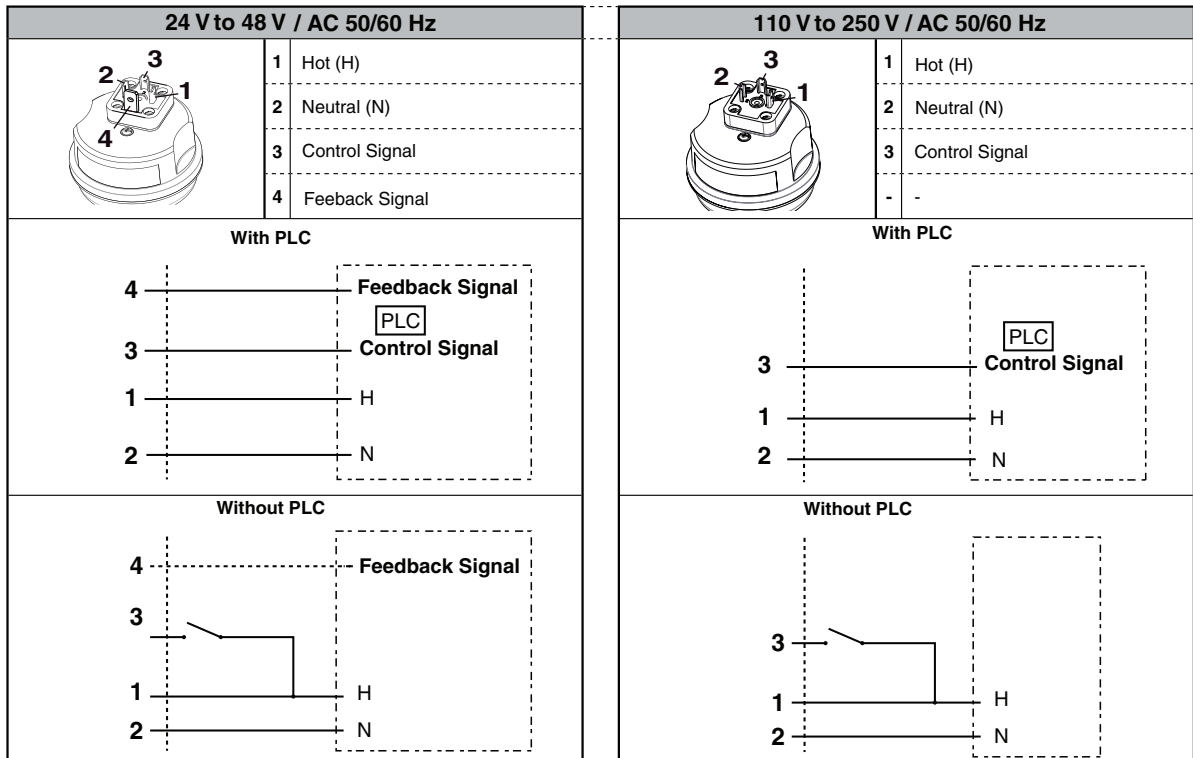
Fail Close Construction



## WIRING DC



## WIRING AC



SPECIAL SERVICE VALVES