

## Features

- Rugged stainless steel valve with piston design built to withstand pressure ratings over 5,000 psi
- High flow design for fast CNG dispensing, reduces vehicle fill time
- Ambient temperature range -40°F to 158°F (-40°C to 70°C)
- PEEK piston provides tight sealing and durable operation
- Suitable for use in Class I, Div. 1 hazardous locations
- Mountable in any position

## Construction

Valve Parts in Contact with Fluids	
Body	303 Stainless Steel
Core Tube	Aluminum bronze
Piston	PEEK
Core and Plugnut	430F Stainless Steel
Springs	301 Stainless Steel
Sealing (U-cup)	PTFE/302 Stainless Steel
Seals	FKM

## Electrical

Standard Coil and Class of Insulation	Watt Rating and Power Consumption				Spare Coil Part Number	
	DC Watts	AC			Explosionproof	
		Watts	VA Holding	VA Inrush	AC	DC
F	11.6	12	12	12	276000	238714

**Standard Voltages:** 24/50-60, 115/50-60, 120/50-60, 200/50-60, 230/50-60, and 240/50-60 volts AC, or 6, 12, 24, 48, 110, 120 and 240 volts DC.



## Solenoid Enclosures

Explosionproof and Watertight, Types 3, 3S, 4, 4X, 6, 6P, 7 and 9.

## Nominal Ambient Temp. Range

-40°F to 158°F (-40°C to 70°C)

## Approvals

UL listed solenoid for hazardous locations - File E12264  
 CSA certified solenoid for hazardous locations - File 13976  
 Meets applicable CE directives

## Options

Three and six-station manifolds available, consult factory.  
 Rebuild kits available, consult factory.

## How to Order

<b>8 2 9 1 G 4 1 0</b>	<b>H 0</b>	<b>1 0 0</b>	<b>F A</b>																
↓	↓	↓	↓																
<b>Base Catalog Number</b> Refer to the Specifications Chart	<b>Electrical Interface</b> H0 Explosionproof & Watertight RH-III, 1/2" Conduit with Leads (18") H7 Explosionproof & Watertight, RH-III, 1/2" Conduit with Leads (72")	<b>Valve Construction</b> 100 PEEK piston, FKM seals	<b>Voltage</b>																
			<table border="0"> <tr> <td>DC</td> <td>AC</td> </tr> <tr> <td>E7 6/DC</td> <td>FQ 24/50-60</td> </tr> <tr> <td>F3 12/DC</td> <td>FC 115/50-60</td> </tr> <tr> <td>F1 24/DC</td> <td>FA 120/50-60</td> </tr> <tr> <td>F9 48/DC</td> <td>EL 200/50-60</td> </tr> <tr> <td>FJ 110/DC</td> <td>FH 230/50-60</td> </tr> <tr> <td>FD 120/DC</td> <td>E6 240/50-60</td> </tr> <tr> <td>E2 240/DC</td> <td></td> </tr> </table>	DC	AC	E7 6/DC	FQ 24/50-60	F3 12/DC	FC 115/50-60	F1 24/DC	FA 120/50-60	F9 48/DC	EL 200/50-60	FJ 110/DC	FH 230/50-60	FD 120/DC	E6 240/50-60	E2 240/DC	
DC	AC																		
E7 6/DC	FQ 24/50-60																		
F3 12/DC	FC 115/50-60																		
F1 24/DC	FA 120/50-60																		
F9 48/DC	EL 200/50-60																		
FJ 110/DC	FH 230/50-60																		
FD 120/DC	E6 240/50-60																		
E2 240/DC																			

**Specifications (English units)**

Pipe Size (in)	Orifice Size (in)	Cv Flow Factor	Operating Pressure Differential (psi)		Max. Fluid Temp. °F	Base Catalog Number			Const. Ref.	Watt Rating/ Class of Coil Insulation	
			Compressed Natural Gas			ISO thread ①	NPT thread	SAE thread		AC	DC
			Min.	Max.							
<b>Normally Closed (Closed when de-energized)</b>											
3/8	5/16	1.1	145	5,070	158	G291G410	8291G410	7291G410 ②	1	12.0/F	11.6/F
1/2	15/32	2.7	145	5,070	158	G291G420	8291G420	7291G420 ③	2	12.0/F	11.6/F
1	45/64	8.8	145	5,070	158	-	8291G431	7291G431 ④	3	12.0/F	11.6/F

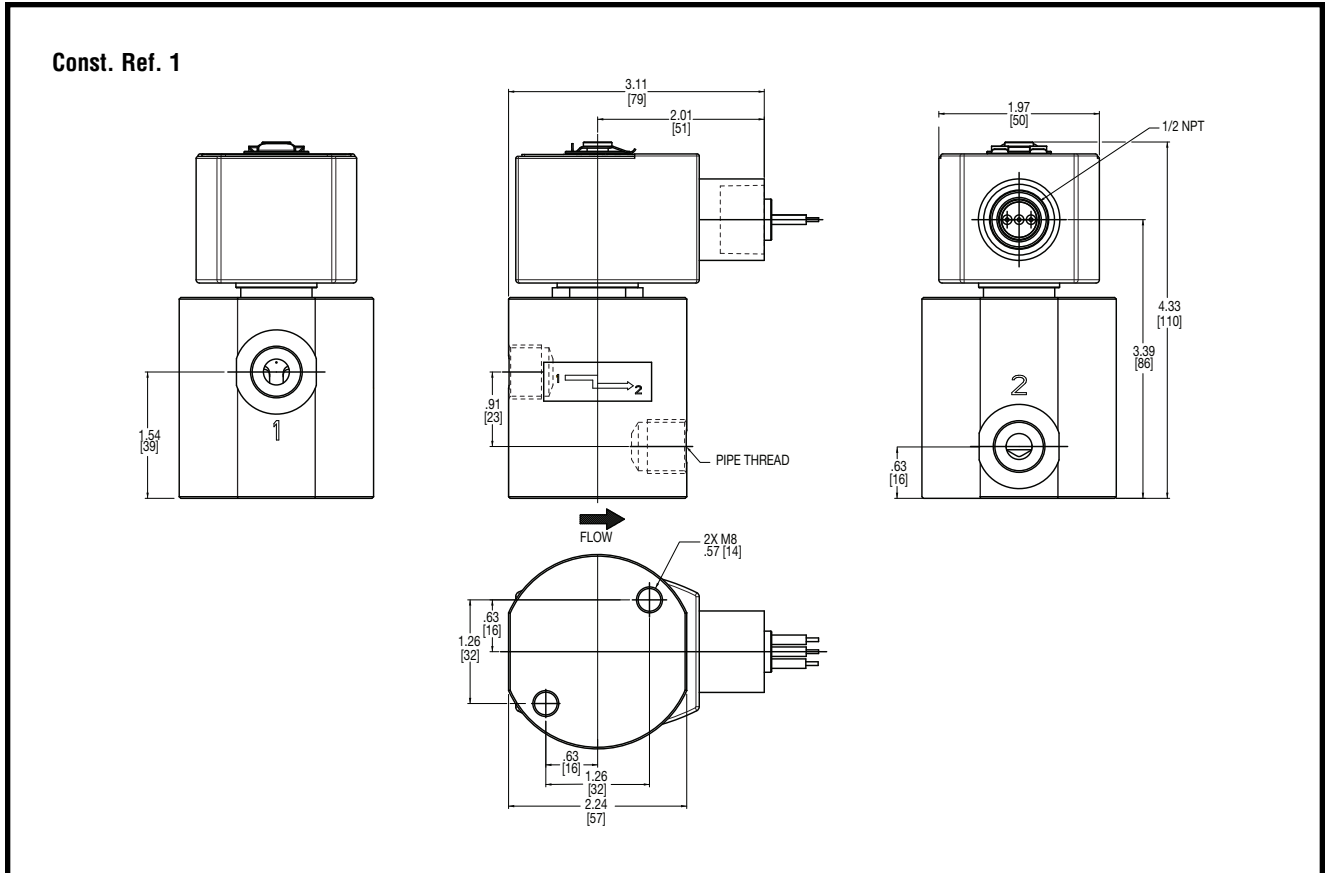
① ISO 228 thread. ② (SAE 6), ③ (SAE 8), ④ (SAE 16)

**Specifications (Metric units)**

Pipe Size (in)	Orifice Size (mm)	Kv Flow (m³/hr)	Operating Pressure Differential (bar)		Max. Fluid Temp. °C	Base Catalog Number			Const. Ref.	Watt Rating/ Class of Coil Insulation	
			Compressed Natural Gas			ISO thread ①	NPT thread	SAE thread		AC	DC
			Min.	Max.							
<b>Normally Closed (Closed when de-energized)</b>											
3/8	8	0.96	10	350	70	G291G410	8291G410	7291G410 ②	1	12.0/F	11.6/F
1/2	12	2.3	10	350	70	G291G420	8291G420	7291G420 ③	2	12.0/F	11.6/F
1	18	7.6	10	350	70	-	8291G431	7291G431 ④	3	12.0/F	11.6/F

① ISO 228 thread. ② (SAE 6), ③ (SAE 8), ④ (SAE 16)

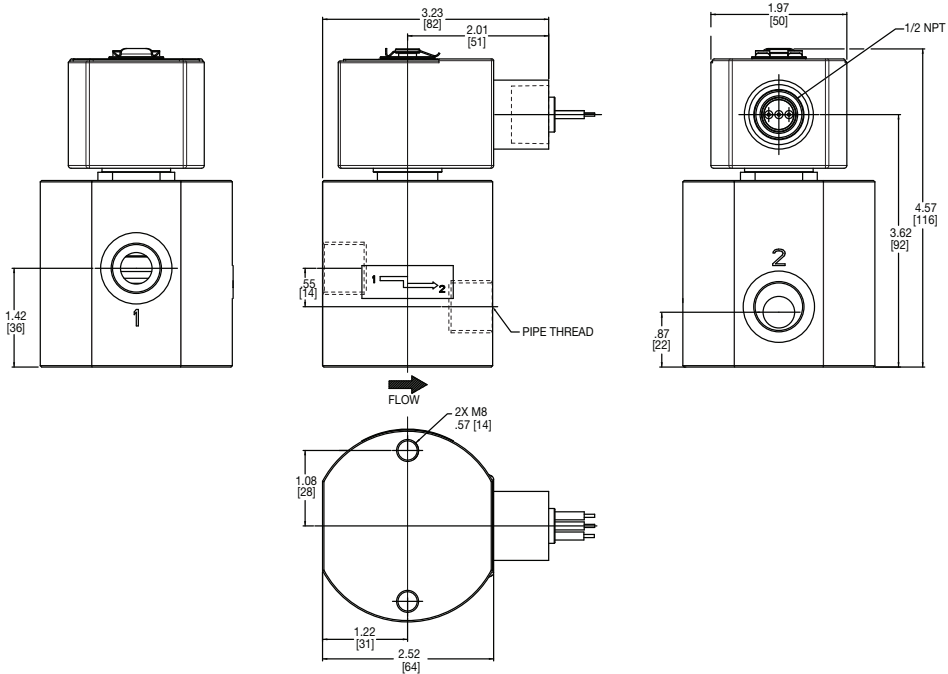
**Dimensions inches (mm)**



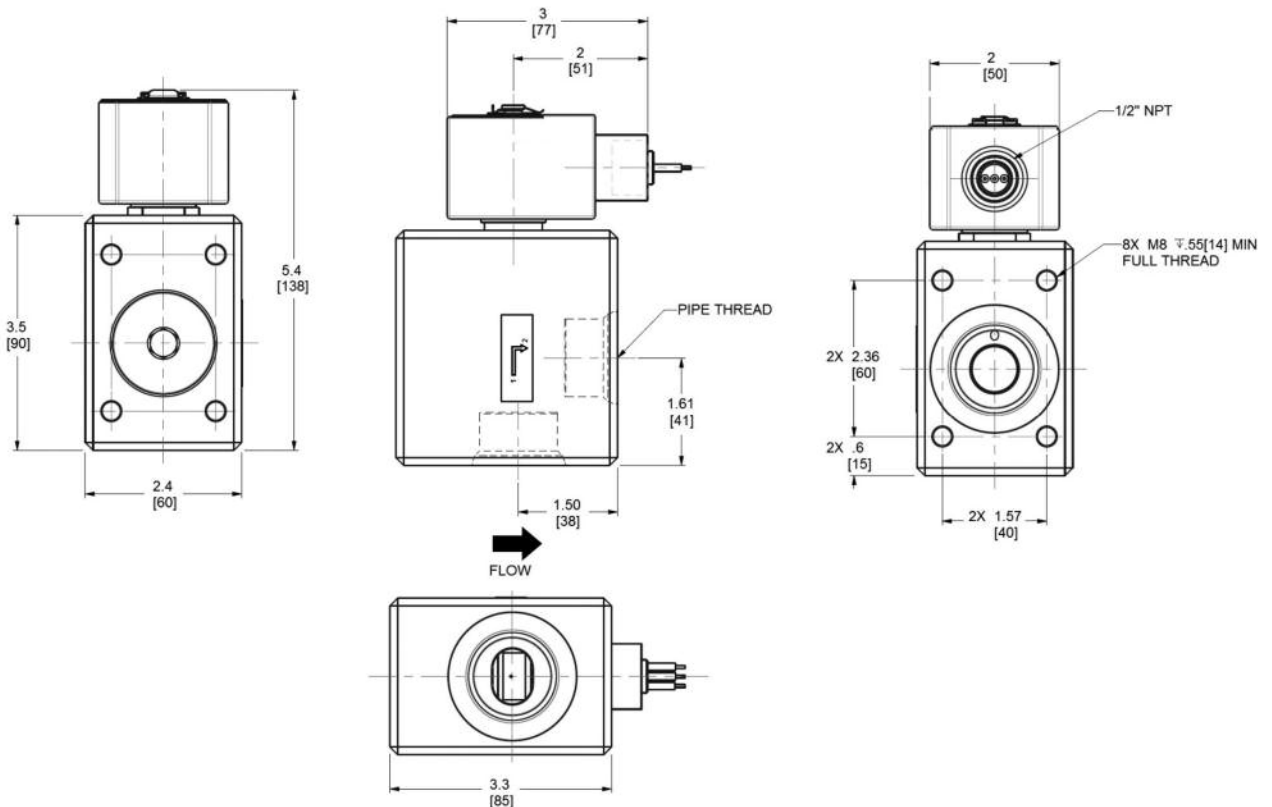
SPECIAL SERVICE VALVES

## Dimensions inches (mm)

Const. Ref. 2



Const. Ref. 3



SPECIAL SERVICE VALVES