

Features

- Designed for high flow and high pressure service
- Direct acting, requires no minimum operating pressure
- Ideal for power plants and similar applications

Construction

Valve Parts in Contact with Fluids	
Body	Brass
Disc	303 Stainless Steel (Metal)
Seats	Phosphor Bronze
Core Tube	305 Stainless Steel
Core and Plugnut	430 F Stainless Steel
Springs	302 Stainless Steel, 17-7PH or Inconel
Shading Coil	Copper
Gaskets	NBR

Electrical

Standard Coil and Class of Insulation	Watt Rating and Power Consumption			Spare Coil Part Number	
	AC			General Purpose	Explosionproof
	Watts	VA Holding	VA Inrush	AC	AC
H	16.1	35	180	272810	272814
H	28.2	50	385	224195	224195

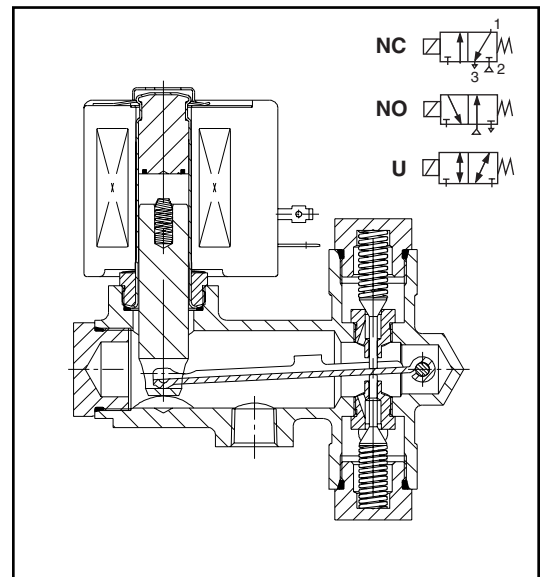
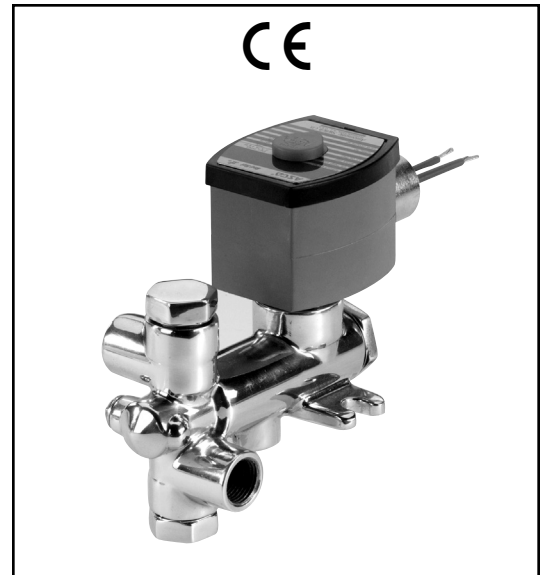
Standard Voltages: 24, 120, 240, 480 volts AC, 60 Hz (or 110, 220 volts AC, 50 Hz).
 Must be specified when ordering.
 (Note: 24 volt AC, 60 Hz not available with 28.2 watt coil)

Solenoid Enclosures

Standard: RedHat II - Watertight, Types 1, 2, 3, 3S, 4, and 4X;
 RedHat - Type 1.

Optional: RedHat II - Explosionproof and Watertight, Types 3, 3S, 4, 4X, 6, 6P, 7, and 9; RedHat - Explosionproof and Watertight, Types 3, 4, 4X, 7, and 9;
 (To order, add prefix "EF" to catalog number.)

See *Optional Features Section* for other available options.



SPECIAL SERVICE VALVES

Nominal Ambient Temp. Ranges

Class H Coils AC: 32°F to 140°F (0°C to 60°C)
 Refer to *Engineering Section* for details.

Approvals

Meets applicable CE directives.
 Refer to *Engineering Section* for details.

Specifications (English units)

Pipe Size (in)	Orifice Size (in)	Cv Flow Factor	Operating Pressure Differential (psi)		Max. Fluid Temp. °F	Brass Body		Watt Rating/ Class of Coil Insulation
			Max. AC			① Add Suffix "F" for NC, "G" for NO, "U" for Univ.		
			NC/NO	Univ.	AC	Catalog Number	Const. Ref.	AC
PHOSPHOR BRONZE SEATS - STEAM SERVICE ONLY								
1/4	1/4	.45	100	55	344	8315G002	1	16.1/H
3/8	1/4	.45	100	50	344	8315G003	1	16.1/H
3/8	5/16	.75	105	50	344	8315 034 ②	4	28.2/H
1/2	5/16	.75	100	50	344	8315 035 ②	4	28.2/H

① NC = Normally Closed; Exhaust pressure when de-energized. NO = Normally Open; Applies pressure when de-energized. Univ. = Universal; Pressure at any port. ② Not available with 24 volt, 60 Hz coil. Refer to Engineering Section for details.

Specifications (Metric units)

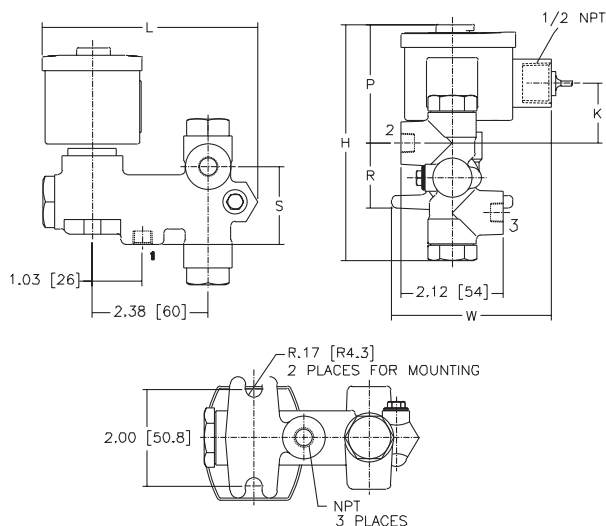
Pipe Size (in)	Orifice Size (mm)	Kv Flow Factor (m³/h)	Operating Pressure Differential (bar)		Max. Fluid Temp. °C	Brass Body		Watt Rating/ Class of Coil Insulation
			Max. AC			① Add Suffix "F" for NC, "G" for NO, "U" for Univ.		
			NC/NO	Univ.	AC	Catalog Number	Const. Ref.	AC
PHOSPHOR BRONZE SEATS - STEAM SERVICE ONLY								
1/4	.5	.39	7	3.8	173	8315G002	1	16.1/H
3/8	.5	.39	7	3.4	173	8315G003	1	16.1/H
3/8	.6	.64	7.2	3.4	173	8315 034 ②	4	28.2/H
1/2	.6	.64	7	3.4	173	8315 035 ②	4	28.2/H

Dimensions inches (mm)

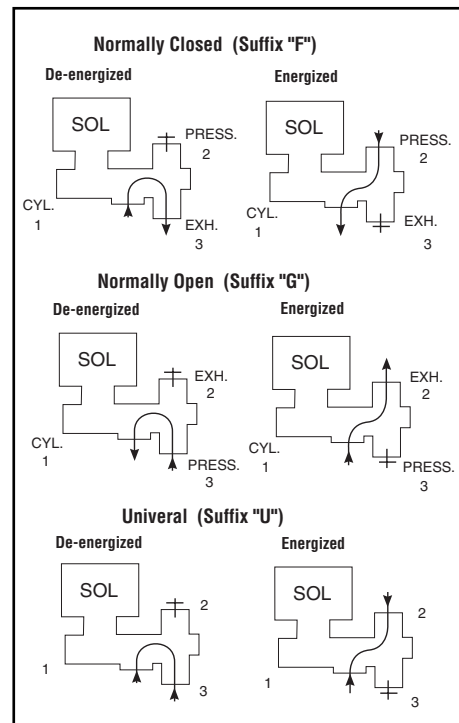
Const. Ref.		H	K	L	P	R	S	W
1	in	4.89	1.44	4.44	2.46	1.34	1.60	3.30
	mm	124	37	113	62	34	40	84
4	in	4.89	1.44	4.44	2.46	1.34	1.60	3.30
	mm	124	37	113	62	34	40	84

IMPORTANT: Valves must be mounted vertical and upright.

Const. Ref. 1, 4



Flow Diagrams



SPECIAL SERVICE VALVES