

Features

- Heavy duty 316L stainless steel construction, internal and external, for use in corrosive environments
- Suitable for use in potentially explosive atmospheres per ATEX directive 94/9/EC
- SIL 2 Certified per IEC 61508
- Compliant with NACE MR 0175 requirements
- High flow design and better control on regulation
- Built-in overpressure relieving function
- Manual and auto-drain constructions available

General

| | |
|--------------------------------|--------------------------|
| Media | Compressed Air, Sour Gas |
| Inlet/Outlet Port | 1/4" NPT - 1/2" NPT |
| Gauge Port | 1/4" NPT |
| Pressure Relief Port | 1/8" NPT |
| Maximum Supply Pressure | 290 PSI |
| Adjustable Pressure | 7 - 145 PSI |
| Hysteresis | < 2.9 PSI |

Construction

| | Standard | Nace |
|---------------------------|-------------------------|---------|
| Body | 316L Stainless Steel | |
| Bowl | 316L Stainless Steel | |
| Filtering Element | 316L Stainless Steel | |
| Diaphragm and Seal | FKM | |
| Springs | 17-7 PH Stainless Steel | Inconel |

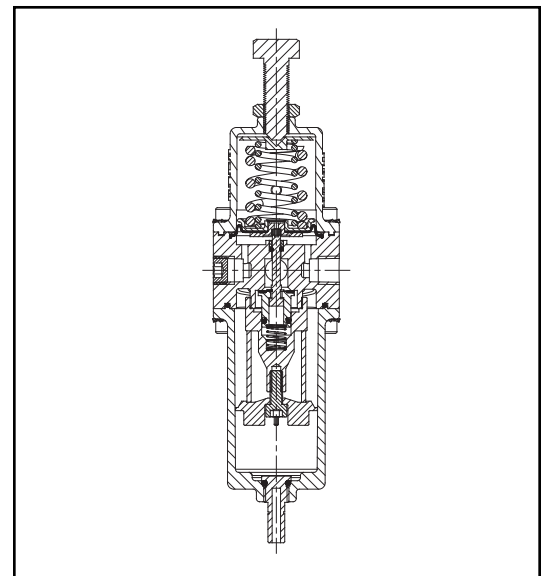
Spare Parts Kits

| | |
|-------------------------------------|----------|
| 25 Microns - 1/4" & 1/2" | C325305* |
| 5 Microns - 1/4" & 1/2" | C325307* |
| Stainless Steel Gauge | C325316 |
| Mounting Bracket | C117813 |

*Spare parts kits include: o-rings, seal, diaphragm assembly, and filter element.

Options

- Auto drain with 1/8" NPT connection (AN)
- Low Ambient Temperature: - 58°F (- 50°C) (Suffix LT)
- Stainless Steel Gauge: 0 – 160 PSI (0 – 11 Bar) (Suffix G)
- Stainless Steel Gauge for 58°F (-50°C) service (Suffix LTG)
- Mounting Bracket (Suffix MB)



Nominal Ambient Temp. Ranges

Standard: - 40°F to 176°F (- 40°C to 80°C)
 Optional (Suffix LT): - 58°F to 176°F (- 50°C to 80°C)

Ordering

Standard Ambient Version: 342A8401GMB
 Low Temperature Version: 342A8401LTGMB
 Auto Drain: 342A8401ANGMB

Approvals

ATEX II 2G/D c IIC X T100°C (T5)
 ZONE 1-21
 Explosion group IIC
 SIL 2 certified per IEC 61508

SERIES 342

Air Service Equipment
Filter and Regulator
 316L Stainless Steel
 1/4" and 1/2" NPT



Specifications (English Units)

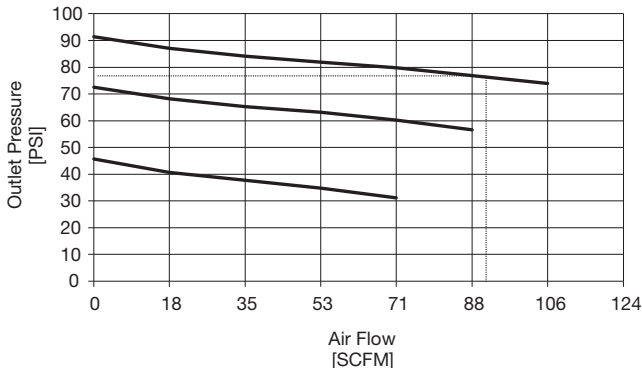
| Pipe Size (in) | Bowl Capacity (oz) | Filter Capacity (µm) | Max. Flow @ 90 psi and 14 psi Drop (SCFM) | Adjustable Pressure (psi) | Min. Ambient Temp (°F) | Max. Ambient Temp (°F) | Manual Drain | |
|-----------------------------------|--------------------|----------------------|---|---------------------------|------------------------|------------------------|--------------|----------|
| | | | | | | | STD | NACE |
| 25 Micron - Self-Relieving | | | | | | | | |
| 1/4 | 3.3 | 25 | 90 | 7-145 | - 40 | 176 | 342A8401 | 342A8421 |
| 1/2 | 3.3 | 25 | 156 | 7-145 | - 40 | 176 | 342A8403 | 342A8423 |
| 5 Micron - Self-Relieving | | | | | | | | |
| 1/4 | 3.3 | 5 | 84 | 7-145 | - 40 | 176 | 342A8405 | 342A8425 |
| 1/2 | 3.3 | 5 | 116 | 7-145 | - 40 | 176 | 342A8407 | 342A8427 |
| 25 Micron - Non-Relieving | | | | | | | | |
| 1/4 | 3.3 | 25 | 90 | 7-145 | - 40 | 176 | 342A8001 | 342A8021 |
| 1/2 | 3.3 | 25 | 156 | 7-145 | - 40 | 176 | 342A8003 | 342A8023 |
| 5 Micron - Non-Relieving | | | | | | | | |
| 1/4 | 3.3 | 5 | 84 | 7-145 | - 40 | 176 | 342A8005 | 342A8025 |
| 1/2 | 3.3 | 5 | 116 | 7-145 | - 40 | 176 | 342A8007 | 342A8027 |

Specifications (Metric Units)

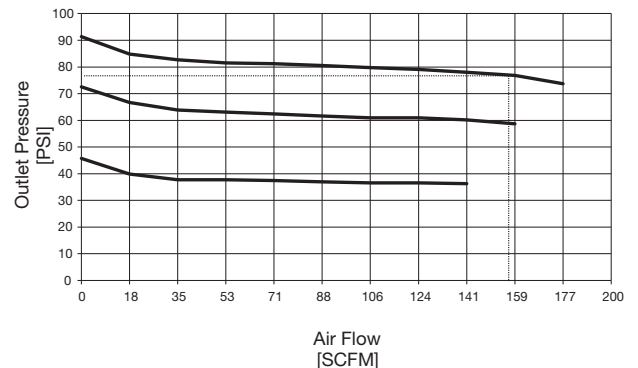
| Pipe Size (in) | Bowl Capacity (cm³) | Filter Capacity (µm) | Max. Flow @ 6 bar and 1 bar Drop (l/m) | Adjustable Pressure (bar) | Min. Ambient Temp (°C) | Max. Ambient Temp (°C) | Manual Drain | |
|-----------------------------------|---------------------|----------------------|--|---------------------------|------------------------|------------------------|--------------|----------|
| | | | | | | | STD | NACE |
| 25 Micron - Self-Relieving | | | | | | | | |
| 1/4 | 98 | 25 | 2540 | 0.5-10 | - 40 | 80 | 342A8401 | 342A8421 |
| 1/2 | 98 | 25 | 4430 | 0.5-10 | - 40 | 80 | 342A8403 | 342A8423 |
| 5 Micron - Self-Relieving | | | | | | | | |
| 1/4 | 98 | 5 | 2380 | 0.5-10 | - 40 | 80 | 342A8405 | 342A8425 |
| 1/2 | 98 | 5 | 3290 | 0.5-10 | - 40 | 80 | 342A8407 | 342A8427 |
| 25 Micron - Non-Relieving | | | | | | | | |
| 1/4 | 98 | 25 | 2540 | 0.5-10 | - 40 | 80 | 342A8001 | 342A8021 |
| 1/2 | 98 | 25 | 4430 | 0.5-10 | - 40 | 80 | 342A8003 | 342A8023 |
| 5 Micron - Non-Relieving | | | | | | | | |
| 1/4 | 98 | 5 | 2380 | 0.5-10 | - 40 | 80 | 342A8005 | 342A8025 |
| 1/2 | 98 | 5 | 3290 | 0.5-10 | - 40 | 80 | 342A8007 | 342A8027 |

Flow Charts

1/4" NPT



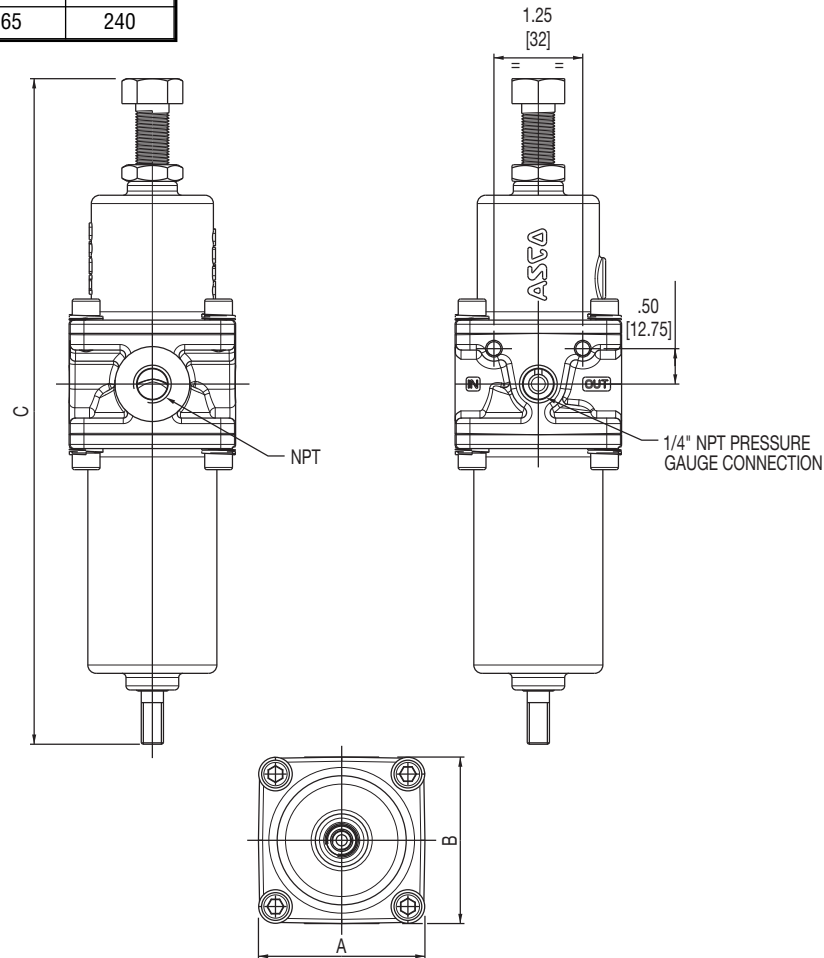
1/2" NPT



ACCESSORIES

Dimensions English (Metric)

| NPT | | A | B | C |
|-----|----|------|------|-----|
| 1/4 | in | 2.36 | 2.36 | 9.4 |
| | mm | 60 | 60 | 240 |
| 1/2 | in | 2.36 | 2.6 | 9.4 |
| | mm | 60 | 65 | 240 |



Mounting Bracket

