

Features

- Available with compression fitting ends for metal or plastic tube to save installation cost
- Direct acting for reliable performance; resilient seating for tight shutoff
- Operation similar to 8320, but with plastic body
- Ideal valve for dispensing, damper control, and water applications
- Mountable in any position

Construction

Valve Parts in Contact with Fluids	
Body	CA
Disc	NBR
Disc-Holder	CA
Core Tube	305 Stainless Steel
Core and Plugnut	430F Stainless Steel
Springs	302 Stainless Steel and 17-7PH Stainless Steel
Shading Coil	Copper

Electrical

Standard Coil and Class of Insulation	Watt Rating and Power Consumption				Spare Coil Part Number	
	DC Watts	AC			General Purpose	
		Watts	VA Holding	VA Inrush	AC	DC
F	10.6	6.1	16	30	238210	238310
F	-	9.1	25	40	238210	-

Standard Voltages: 24, 120, 240, 480 volts AC, 60 Hz (or 110, 220 volts AC, 50 Hz).
 6, 12, 24, 120, 240 volts DC. Must be specified when ordering.
 Other voltages are available when required.

Solenoid Enclosures

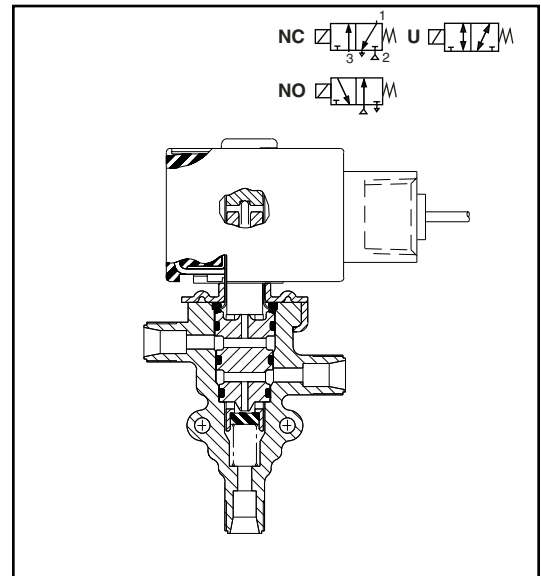
Standard: Watertight, Types 1, 2, 3, 3S, 4, and 4X.

Optional: Open Frame Solenoid, Junction Box.

See *Optional Features* Section for descriptions on these and other available options.



3-WAY



Nominal Ambient Temp. Ranges

AC: 32°F to 125°F (0°C to 52°C)

DC: 32°F to 104°F (0°C to 40°C)

Refer to *Engineering Section* for details.

Approvals

CSA certified. UL recognized components.

Meets applicable CE directives.

Refer to *Engineering Section* for details.

Specifications (English units)

Pipe Connections	Orifice Size (in)	Cv Flow Factor	Operating Pressure Differential (psi)				Max. Fluid Temp. °F		Catalog Number	Const. Ref.	Watt Rating/ Class of Coil Insulation ②	
			Max. AC		Max. DC		AC	DC			AC	DC
			Air-Inert Gas	Water	Air-Inert Gas	Water						
UNIVERSAL OPERATION (Pressure at any port)												
1/4" O.D. Compression ①	1/16	.07	100	100	65	65	130	120	8360G071	1	9.1/F	10.6/F
	3/32	.11	50	50	50	50	130	120	8360G073	1	6.1/F	10.6/F
	1/8	.16	30	30	20	20	130	120	8360G074	1	9.1/F	10.6/F
NORMALLY CLOSED (Closed when de-energized)												
1/4" O.D. Compression ①	1/16	.07	125	125	125	125	130	120	8360G075	1	6.1/F	10.6/F
	3/32	.11	100	100	100	100	130	120	8360G077	1	6.1/F	10.6/F
	1/8	.16	40	40	40	40	130	120	8360G078	1	6.1/F	10.6/F
NORMALLY OPEN (Open when de-energized)												
1/4" O.D. Compression ①	1/16	.07	125	125	125	125	130	120	8360G067	1	6.1/F	10.6/F
	3/32	.11	100	100	100	100	130	120	8360G069	1	6.1/F	10.6/F
	1/8	.16	40	40	40	40	130	120	8360G070	1	6.1/F	10.6/F

① Fittings not supplied with valve. To order, refer to List Price Schedule.
② On 50 hertz service, the watt rating for the 6.1/F solenoid is 8.1 watts; the watt rating for the 9.1/F solenoid is 11.1 watts.

Specifications (Metric units)

Pipe Connections	Orifice Size (mm)	Kv Flow Factor (m³/h)	Operating Pressure Differential (bar)				Max. Fluid Temp. °C		Catalog Number	Const. Ref.	Watt Rating/ Class of Coil Insulation ②	
			Max. AC		Max. DC		AC	DC			AC	DC
			Air-Inert Gas	Water	Air-Inert Gas	Water						
UNIVERSAL OPERATION (Pressure at any port)												
1/4" O.D. Compression ①	1.6	.06	7	7	4	4	54	49	8360G071	1	9.1/F	10.6/F
	2.4	.09	3	3	3	3	54	49	8360G073	1	6.1/F	10.6/F
	3.2	.14	2	2	1	1	54	49	8360G074	1	9.1/F	10.6/F
NORMALLY CLOSED (Closed when de-energized)												
1/4" O.D. Compression ①	1.6	.06	9	9	9	9	54	49	8360G075	1	6.1/F	10.6/F
	2.4	.09	7	7	7	7	54	49	8360G077	1	6.1/F	10.6/F
	3.2	.14	3	3	3	3	54	49	8360G078	1	6.1/F	10.6/F
NORMALLY OPEN (Open when de-energized)												
1/4" O.D. Compression ①	1.6	.06	9	9	9	9	54	49	8360G067	1	6.1/F	10.6/F
	2.4	.09	7	7	7	7	54	49	8360G069	1	6.1/F	10.6/F
	3.2	.14	3	3	3	3	54	49	8360G070	1	6.1/F	10.6/F

Dimensions: inches (mm)

