

Features

- Ideal for valve automation for the oil and gas market
- Reliable, robust design with high flow performance
- Low temperature options
- Stainless steel constructions are NACE MR0175-2003 compliant
- Corrosion resistant - 316L Stainless Steel valve materials make it ideal for offshore and harsh environments
- Extensive manual and pneumatic options
- Rated for air, inert gas and natural gas
- SIL 3 Capable options

Construction

Valve Parts in Contact with Fluids	
Body	316L Stainless Steel, Brass
Spring	Cobalt Alloy
Seals	FKM (standard), Low Temp NBR (optional)
Spool	316L Stainless Steel

Minimum Ambient/Fluid Temperature

For 1/4" pipe size:

Brass	Stainless Steel
FKM: 5°F (-15°C)	-4°F (-20°C)
NBR: N/A	-40°F (-40°C)

For 3/8" through 1" pipe size:

Brass	Stainless Steel
FKM: -4°F (-20°C)	-4°F (-20°C)
NBR: -40°F (-40°C)	-40°F (-40°C)

Low Temp Options:

Palm Button & Latching Options: -20°F to 200°F (-29°C to 93°C)



Important

These valves are intended for use on clean dry air, inert gas, or natural gas filtered to 40 micron or better. The dew point of the media should be at least 10°C (18°F) below the minimum temperature to which any portion of the air, inert gas or sweet dry natural gas system could be exposed to prevent freezing. If lubricated air is used, the lubricants must be compatible with FKM and LT NBR elastomers. Instrument air in compliance with ANSI/ISA Standard 7.0.01-1996 exceeds the above requirements and is, therefore, an acceptable media for these valves.

Approvals

SIL 3 Capable options

Refer to Engineering for details.

SPECIAL SERVICE
PILOT

How to order

8 362 A 4 10 00 1 1 0 00

Connection Type

8 = NPT

Product Series

362 = 3 way for Process Automation
562 = 4 way for Process Automation

Select version from Specification Tables on following pages.
(Configurator available at www.asco.com)

Voltage

00 = Pilot or Manually Actuated

Solenoid Type/Orientation

0 = None

Elastomer/Manual Override

1 = FKM

3 = Low Temperature NBR

Specifications English (Metric)

Pipe Size (in)	Base Catalog Number ①		Function	Flow Cv (Kv)	Main Operating Pressure Differential psi (bar)		External Pilot Pressure psi (bar)		Product Weight lbs (kg)	Const. Ref.
	Stainless Steel	Brass			Min.	Max.	Min.	Max.		
Normally Closed / Externally Piloted										
1/4"	8362A108000	-	Pilot, Palm Button /Spring Return	2.0 (1.7)	0	150 (10.3)	25 (1.8)	150 (10.3)	1.19 (0.54)	2
1/4"	8362A110000	-	Pilot With Latching Reset/Spring Return	2.0 (1.7)	0	150 (10.3)	25 (1.8)	150 (10.3)	1.23 (0.56)	3
1/4"	8362A112000	-	Pilot, Palm Button With Latching Reset/Spring Return	2.0 (1.7)	0	150 (10.3)	25 (1.8)	150 (10.3)	1.25 (0.57)	4
1/4"	8362A114000	-	Palm Button/Spring Return	2.0 (1.7)	0	150 (10.3)	-	-	1.19 (0.54)	5
1/4"	8362A107000	-	Pilot Operated/Spring Return	2.0 (1.7)	0	150 (10.3)	25 (1.8)	150 (10.3)	0.9 (0.41)	1
1/4"	-	8362AA07000	Pilot Operated/Spring Return	1.8 (1.55)	0	150 (10.3)	25 (1.8)	150 (10.3)	1.65 (0.75)	33
1/4"	8362A147000	-	Manual Lever Return, Latches In Energized Position	2.0 (1.7)	0	150 (10.3)	25 (1.8)	150 (10.3)	1.94 (0.88)	32
1/4"	-	8362AA47000	Manual Lever Return, Latches In Energized Position	1.8 (1.55)	0	150 (10.3)	25 (1.8)	150 (10.3)	2.67 (1.21)	34
1/4"	8362A167000	-	Spring Return, Latches In Energized Position	2.0 (1.7)	0	150 (10.3)	25 (1.8)	150 (10.3)	1.94 (0.88)	32
1/4"	-	8362AA67000	Spring Return, Latches In Energized Position	1.8 (1.55)	0	150 (10.3)	25 (1.8)	150 (10.3)	2.67 (1.21)	34
1/4"	8362A187000	-	Spring Return, Latches In De-energized Position	2.0 (1.7)	0	150 (10.3)	25 (1.8)	150 (10.3)	1.94 (0.88)	32
1/4"	-	8362AA87000	Spring Return, Latches In De-energized Position	1.8 (1.55)	0	150 (10.3)	25 (1.8)	150 (10.3)	2.67 (1.21)	34
3/8"	8362A207000	-	Pilot Operated/Spring Return	4.8 (4.1)	0	200 (13.8)	40 (2.8)	200 (13.8)	2.37 (1.07)	24
3/8"	-	8362AC07000	Pilot Operated/Spring Return	4.0 (3.4)	0	200 (13.8)	40 (2.8)	200 (13.8)	2.98 (1.35)	24
1/2"	8362A307000	-	Pilot Operated/Spring Return	5.6 (4.8)	0	200 (13.8)	40 (2.8)	200 (13.8)	2.30 (1.04)	24
1/2"	-	8362AD07000	Pilot Operated/Spring Return	5.0 (4.3)	0	200 (13.8)	40 (2.8)	200 (13.8)	2.87 (1.3)	24
3/4"	8362A407000	-	Pilot Operated/Spring Return	13.0 (11.2)	0	200 (13.8)	50 (3.4)	200 (13.8)	4.44 (9.78)	28
3/4"	-	8362AE07000	Pilot Operated/Spring Return	13.0 (11.2)	0	200 (13.8)	50 (3.4)	200 (13.8)	4.90 (10.80)	28
1"	8362A507000	-	Pilot Operated/Spring Return	15.5 (13.4)	0	200 (13.8)	50 (3.4)	200 (13.8)	4.31 (9.78)	28
1"	-	8362AF07000	Pilot Operated/Spring Return	15.5 (13.4)	0	200 (13.8)	50 (3.4)	200 (13.8)	4.71 (10.39)	28
Normally Open / Externally Piloted										
1/4"	8362A108001	-	Pilot, Palm Button /Spring Return	2.0 (1.7)	0	150 (10.3)	25 (1.8)	150 (10.3)	1.19 (0.54)	7
1/4"	8362A110001	-	Pilot With Latching Reset/Spring Return	2.0 (1.7)	0	150 (10.3)	25 (1.8)	150 (10.3)	1.23 (0.56)	8
1/4"	8362A112001	-	Pilot, Palm Button With Latching Reset/Spring Return	2.0 (1.7)	0	150 (10.3)	25 (1.8)	150 (10.3)	1.25 (0.57)	9
1/4"	8362A114001	-	Palm Button/Spring Return	2.0 (1.7)	0	150 (10.3)	-	-	1.19 (0.54)	10
1/4"	8362A107001	-	Pilot Operated/Spring Return	2.0 (1.7)	0	150 (10.3)	25 (1.8)	150 (10.3)	0.9 (0.41)	6
1/4"	-	8362AA07001	Pilot Operated/Spring Return	1.8 (1.55)	0	150 (10.3)	25 (1.8)	150 (10.3)	1.65 (0.75)	33
1/4"	8362A147001	-	Manual Lever Return, Latches In Energized Position	2.0 (1.7)	0	150 (10.3)	25 (1.8)	150 (10.3)	1.94 (0.88)	32
1/4"	-	8362AA47001	Manual Lever Return, Latches In Energized Position	1.8 (1.55)	0	150 (10.3)	25 (1.8)	150 (10.3)	2.67 (1.21)	34
1/4"	8362A167001	-	Spring Return, Latches In Energized Position	2.0 (1.7)	0	150 (10.3)	25 (1.8)	150 (10.3)	1.94 (0.88)	32
1/4"	-	8362AA67001	Spring Return, Latches In Energized Position	1.8 (1.55)	0	150 (10.3)	25 (1.8)	150 (10.3)	2.67 (1.21)	34
1/4"	8362A187001	-	Spring Return, Latches In De-energized Position	2.0 (1.7)	0	150 (10.3)	25 (1.8)	150 (10.3)	1.94 (0.88)	32
1/4"	-	8362AA87001	Spring Return, Latches In De-energized Position	1.8 (1.55)	0	150 (10.3)	25 (1.8)	150 (10.3)	2.67 (1.21)	34
3/8"	8362A207001	-	Pilot Operated/Spring Return	4.8 (4.1)	0	200 (13.8)	40 (2.8)	200 (13.8)	2.37 (1.07)	24
3/8"	-	8362AC07001	Pilot Operated/Spring Return	4.0 (3.4)	0	200 (13.8)	40 (2.8)	200 (13.8)	2.98 (1.35)	24
1/2"	8362A307001	-	Pilot Operated/Spring Return	5.6 (4.8)	0	200 (13.8)	40 (2.8)	200 (13.8)	2.30 (1.04)	24
1/2"	-	8362AD07001	Pilot Operated/Spring Return	5.0 (4.3)	0	200 (13.8)	40 (2.8)	200 (13.8)	2.87 (1.3)	24
3/4"	8362A407001	-	Pilot Operated/Spring Return	13.0 (11.2)	0	200 (13.8)	50 (3.4)	200 (13.8)	4.44 (9.78)	28
3/4"	-	8362AE07001	Pilot Operated/Spring Return	13.0 (11.2)	0	200 (13.8)	50 (3.4)	200 (13.8)	4.90 (10.80)	28
1"	8362A507001	-	Pilot Operated/Spring Return	15.5 (13.4)	0	200 (13.8)	50 (3.4)	200 (13.8)	4.31 (9.78)	28
1"	-	8362AF07001	Pilot Operated/Spring Return	15.5 (13.4)	0	200 (13.8)	50 (3.4)	200 (13.8)	4.71 (10.39)	28
Normally Closed Detent/Externally Piloted										
1/4"	8362A109004	-	Pilot, Palm Button/Manual Return	2.0 (1.7)	0	150 (10.3)	25 (1.8)	150 (10.3)	1.36 (0.62)	11
1/4"	8362A115004	-	Palm Button/Manual Return	2.0 (1.7)	0	150 (10.3)	-	-	1.36 (0.62)	12
Normally Open Detent/Externally Piloted										
1/4"	8362A109005	-	Pilot, Palm Button/Manual Return	2.0 (1.7)	0	150 (10.3)	25 (1.8)	150 (10.3)	1.36 (0.62)	13
1/4"	8362A115005	-	Palm Button/Manual Return	2.0 (1.7)	0	150 (10.3)	-	-	1.36 (0.62)	14
Detent / Externally Piloted										
1/4"	8362A113007	-	Double Pilot	2.0 (1.7)	0	150 (10.3)	15 (1.0)	150 (10.3)	1.21 (0.55)	15
1/4"	-	8362AA13007	Double Pilot	1.8 (1.55)	0	150 (10.3)	15 (1.0)	150 (10.3)	2.32 (1.05)	35

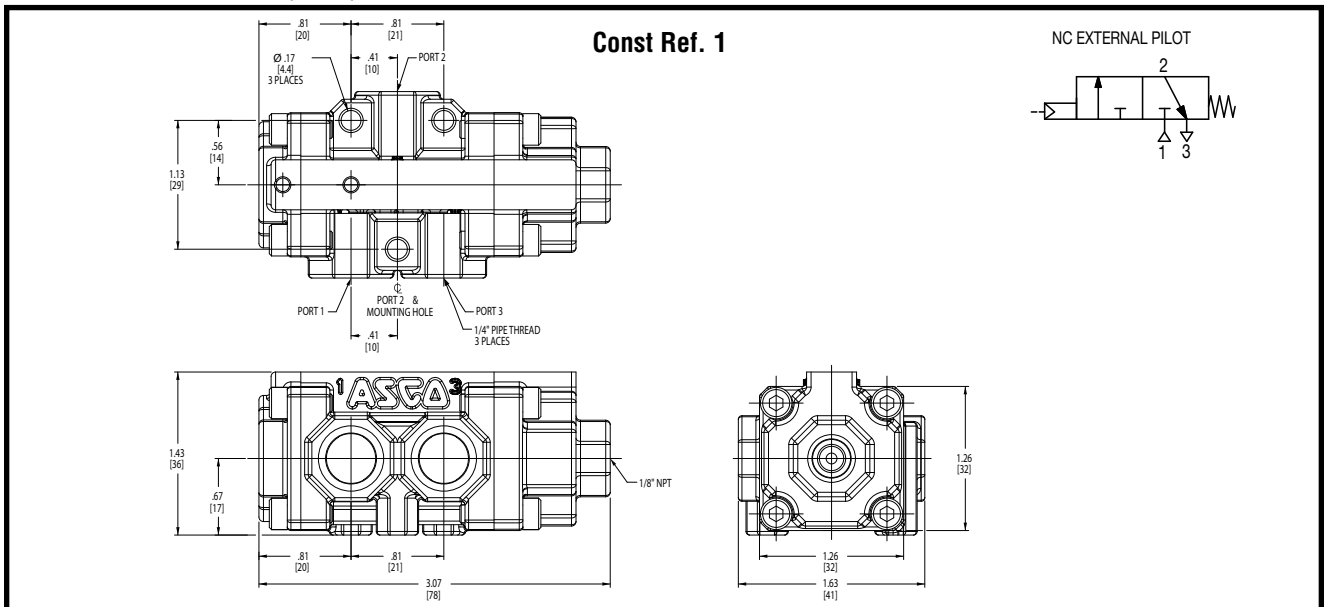
SPECIAL SERVICE
PILOT

Specifications English (Metric)

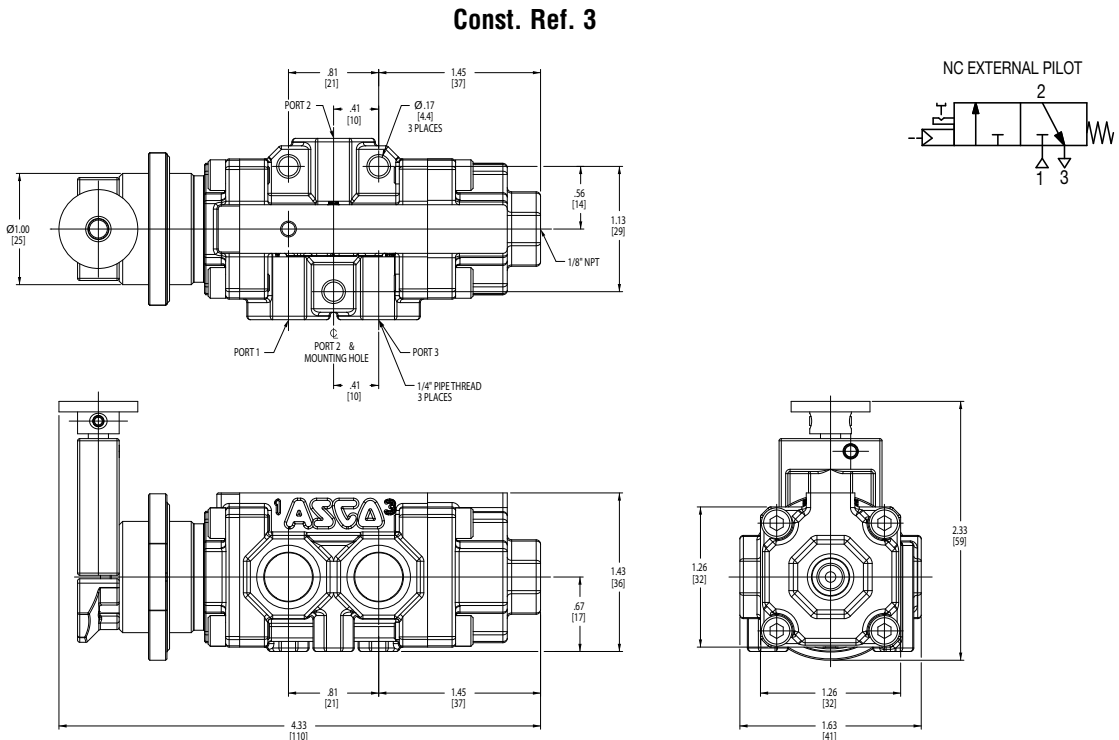
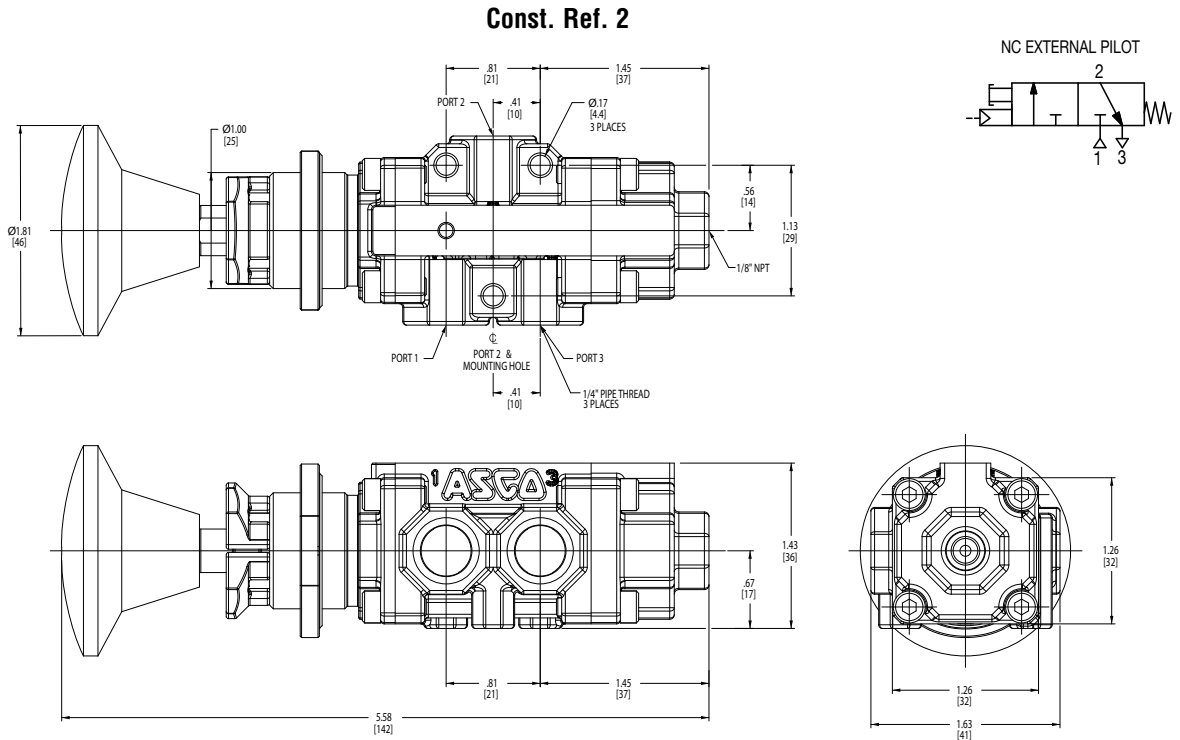
Pipe Size (in)	Base Catalog Number ①		Function	Flow Cv (Kv)	Main Operating Pressure Differential psi (bar)		External Pilot Pressure psi (bar)		Product Weight lbs (kg)	Const. Ref.
	Stainless Steel	Brass			Min.	Max.	Min.	Max.		
Externally Piloted										
1/4"	8562A108003	-	Pilot, Palm Button/Spring Return	2.0 (1.7)	0	150 (10.3)	25 (1.8)	150 (10.3)	1.36 (0.62)	17
1/4"	8562A110003	-	Pilot With Latching Reset/Spring Return	2.0 (1.7)	0	150 (10.3)	25 (1.8)	150 (10.3)	1.43 (0.65)	18
1/4"	8562A112003	-	Pilot, Palm Button With Latching Reset/Spring Return	2.0 (1.7)	0	150 (10.3)	25 (1.8)	150 (10.3)	1.45 (0.66)	19
1/4"	8562A114003	-	Palm Button/Spring Return	2.0 (1.7)	0	150 (10.3)	-	-	1.38 (0.63)	20
1/4"	8562A107003	-	Pilot Operated/Spring Return	2.0 (1.7)	0	150 (10.3)	25 (1.8)	150 (10.3)	1.08 (0.49)	16
1/4"	-	8562AA07003	Pilot Operated/Spring Return	1.8 (1.55)	0	150 (10.3)	25 (1.8)	150 (10.3)	2.07 (0.94)	36
1/4"	8562A147003	-	Manual Lever Return, Latches In Energized Position	2.0 (1.7)	0	150 (10.3)	25 (1.8)	150 (10.3)	2.12 (0.96)	37
1/4"	-	8562AA47003	Manual Lever Return, Latches In Energized Position	1.8 (1.55)	0	150 (10.3)	25 (1.8)	150 (10.3)	3.06 (1.39)	38
1/4"	8562A167003	-	Spring Return, Latches In Energized Position	2.0 (1.7)	0	150 (10.3)	25 (1.8)	150 (10.3)	2.12 (0.96)	37
1/4"	-	8562AA67003	Spring Return, Latches In Energized Position	1.8 (1.55)	0	150 (10.3)	25 (1.8)	150 (10.3)	3.06 (1.39)	38
1/4"	8562A187003	-	Spring Return, Latches In De-energized Position	2.0 (1.7)	0	150 (10.3)	25 (1.8)	150 (10.3)	2.12 (0.96)	37
1/4"	-	8562AA87003	Spring Return, Latches In De-energized Position	1.8 (1.55)	0	150 (10.3)	25 (1.8)	150 (10.3)	3.06 (1.39)	38
3/8"	8562A207003	-	Pilot Operated/Spring Return	4.8 (4.1)	0	200 (13.8)	40 (2.8)	200 (13.8)	2.93 (1.33)	25
3/8"	-	8562AC07003	Pilot Operated/Spring Return	4.0 (3.4)	0	200 (13.8)	40 (2.8)	200 (13.8)	3.68 (1.67)	25
1/2"	8562A307003	-	Pilot Operated/Spring Return	5.6 (4.8)	0	200 (13.8)	40 (2.8)	200 (13.8)	2.82 (1.28)	25
1/2"	-	8562AD07003	Pilot Operated/Spring Return	5.0 (4.3)	0	200 (13.8)	40 (2.8)	200 (13.8)	3.50 (1.59)	25
3/4"	8562A407003	-	Pilot Operated/Spring Return	13.0 (11.2)	0	200 (13.8)	50 (3.4)	200 (13.8)	12.84 (5.82)	29
3/4"	-	8562AE07003	Pilot Operated/Spring Return	13.0 (11.2)	0	200 (13.8)	50 (3.4)	200 (13.8)	12.84 (5.82)	29
1"	8562A507003	-	Pilot Operated/Spring Return	15.5 (13.4)	0	200 (13.8)	50 (3.4)	200 (13.8)	12.33 (5.59)	29
1"	-	8562AF07003	Pilot Operated/Spring Return	15.5 (13.4)	0	200 (13.8)	50 (3.4)	200 (13.8)	13.73 (6.23)	29
3/8"	8362A213003	-	Double Pilot	4.8 (4.1)	0	200 (13.8)	20 (1.4)	200 (13.8)	2.46 (1.11)	26
3/8"	-	8362AC13003	Double Pilot	4.0 (3.4)	0	200 (13.8)	20 (1.4)	200 (13.8)	2.95 (1.34)	26
3/8"	8562A213003	-	Double Pilot	4.8 (4.1)	0	200 (13.8)	20 (1.4)	200 (13.8)	3.02 (1.37)	27
3/8"	-	8562AC13003	Double Pilot	4.0 (3.4)	0	200 (13.8)	20 (1.4)	200 (13.8)	3.66 (1.66)	27
1/2"	8362A313003	-	Double Pilot	5.6 (4.8)	0	200 (13.8)	20 (1.4)	200 (13.8)	2.39 (1.08)	26
1/2"	-	8362AD13003	Double Pilot	5.0 (4.3)	0	200 (13.8)	20 (1.4)	200 (13.8)	2.85 (1.29)	26
1/2"	8562A313003	-	Double Pilot	5.6 (4.8)	0	200 (13.8)	20 (1.4)	200 (13.8)	2.91 (1.32)	27
1/2"	-	8562AD13003	Double Pilot	5.0 (4.3)	0	200 (13.8)	20 (1.4)	200 (13.8)	3.48 (1.58)	27
3/4"	8362A413003	-	Double Pilot	13.0 (11.2)	0	200 (13.8)	20 (1.4)	200 (13.8)	9.91 (4.50)	30
3/4"	-	8362AE13003	Double Pilot	13.0 (11.2)	0	200 (13.8)	20 (1.4)	200 (13.8)	10.93 (4.96)	30
3/4"	8562A413003	-	Double Pilot	13.0 (11.2)	0	200 (13.8)	20 (1.4)	200 (13.8)	12.97 (5.88)	31
3/4"	-	8562AE13003	Double Pilot	13.0 (11.2)	0	200 (13.8)	20 (1.4)	200 (13.8)	14.54 (6.60)	31
1"	8362A513003	-	Double Pilot	15.5 (13.4)	0	200 (13.8)	20 (1.4)	200 (13.8)	9.62 (4.37)	30
1"	-	8362AF13003	Double Pilot	15.5 (13.4)	0	200 (13.8)	20 (1.4)	200 (13.8)	10.51 (4.77)	30
1"	8562A513003	-	Double Pilot	15.5 (13.4)	0	200 (13.8)	20 (1.4)	200 (13.8)	12.46 (5.65)	31
1"	-	8562AF13003	Double Pilot	15.5 (13.4)	0	200 (13.8)	20 (1.4)	200 (13.8)	13.86 (6.29)	31
Detent / Externally Piloted										
1/4"	8562A113007	-	Double Pilot	2.0 (1.7)	0	150 (10.3)	15 (1.0)	150 (10.3)	1.38 (0.63)	21
1/4"	-	8562AA13007	Double Pilot	1.8 (1.55)	0	150 (10.3)	15 (1.0)	150 (10.3)	2.73 (1.24)	39
1/4"	8562A109007	-	Pilot, Palm Button/Manual Return	2.0 (1.7)	0	150 (10.3)	25 (1.8)	150 (10.3)	1.56 (0.71)	22
1/4"	8562A115007	-	Palm Button/Manual Return	2.0 (1.7)	0	150 (10.3)	-	-	1.52 (0.69)	23

① Please refer to How to Order section to complete base catalog number selection.

Dimensions: inches (mm)

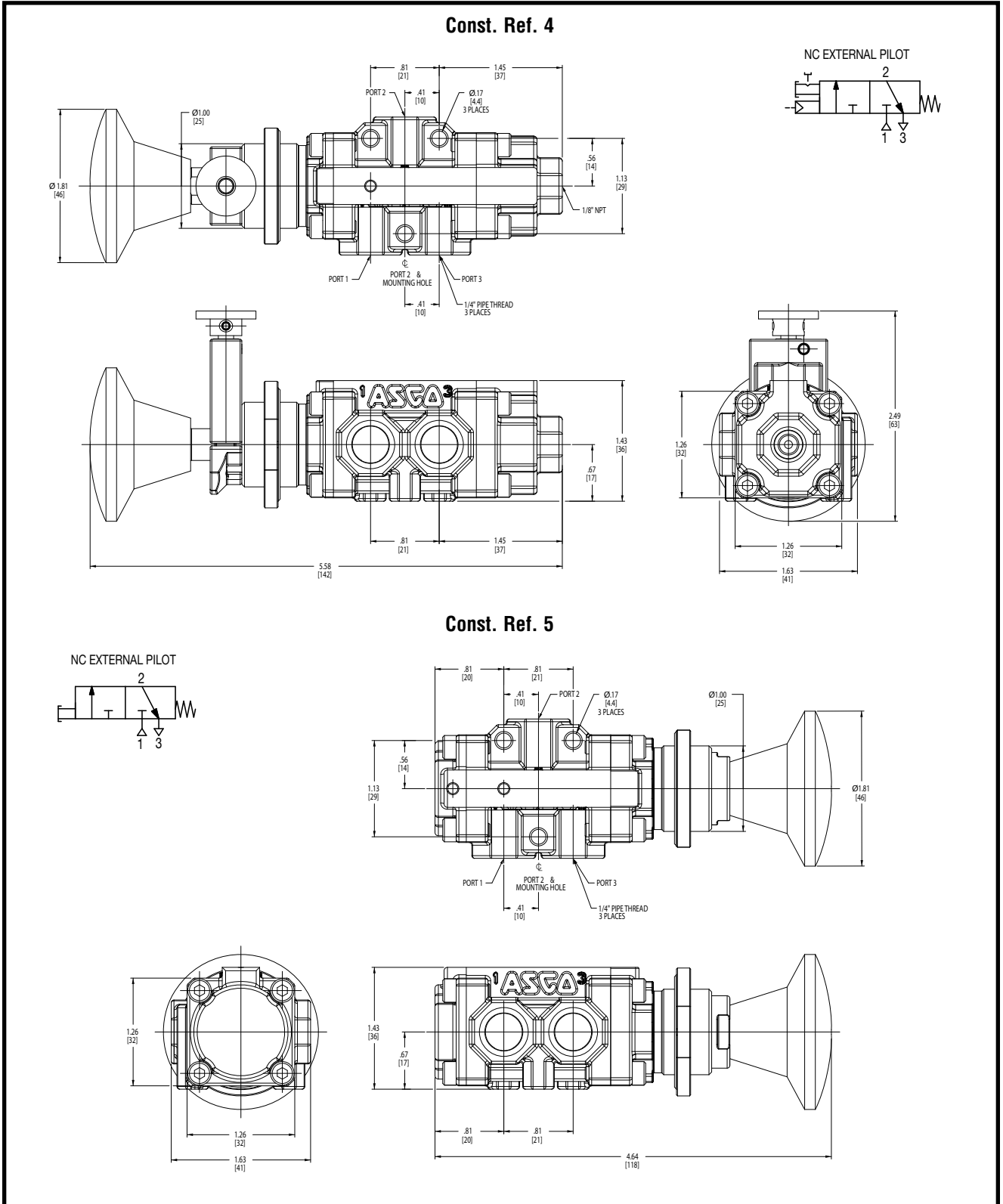


Dimensions: inches (mm)



SPECIAL SERVICE
 PILOT

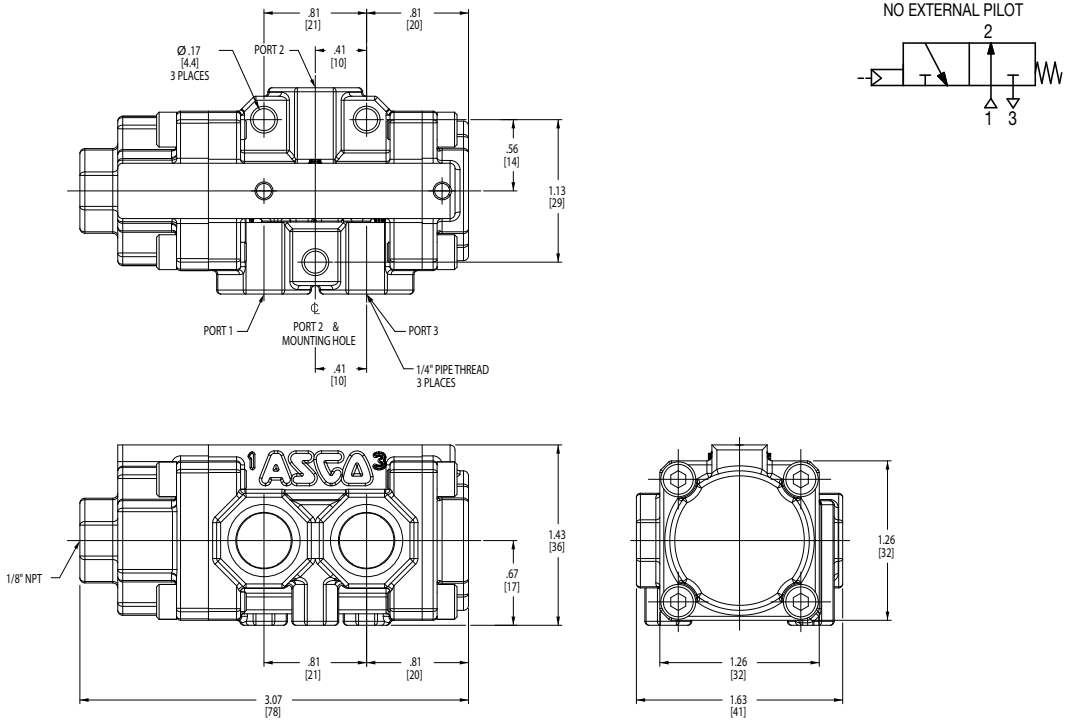
Dimensions: inches (mm)



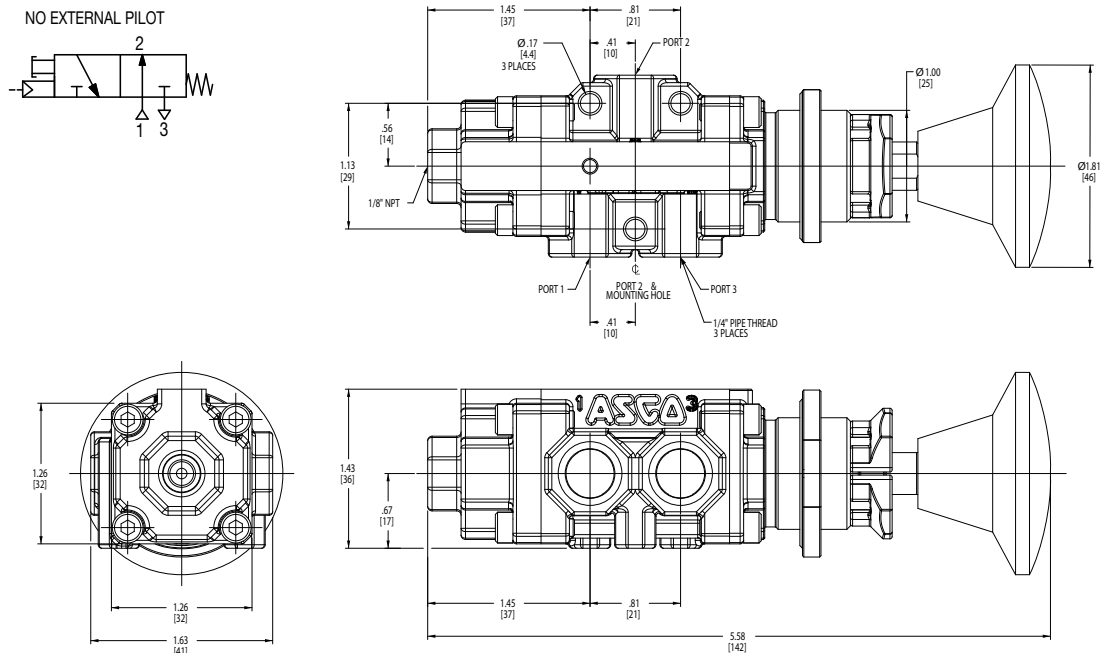
SPECIAL SERVICE
PILOT

Dimensions: inches (mm)

Const. Ref 6

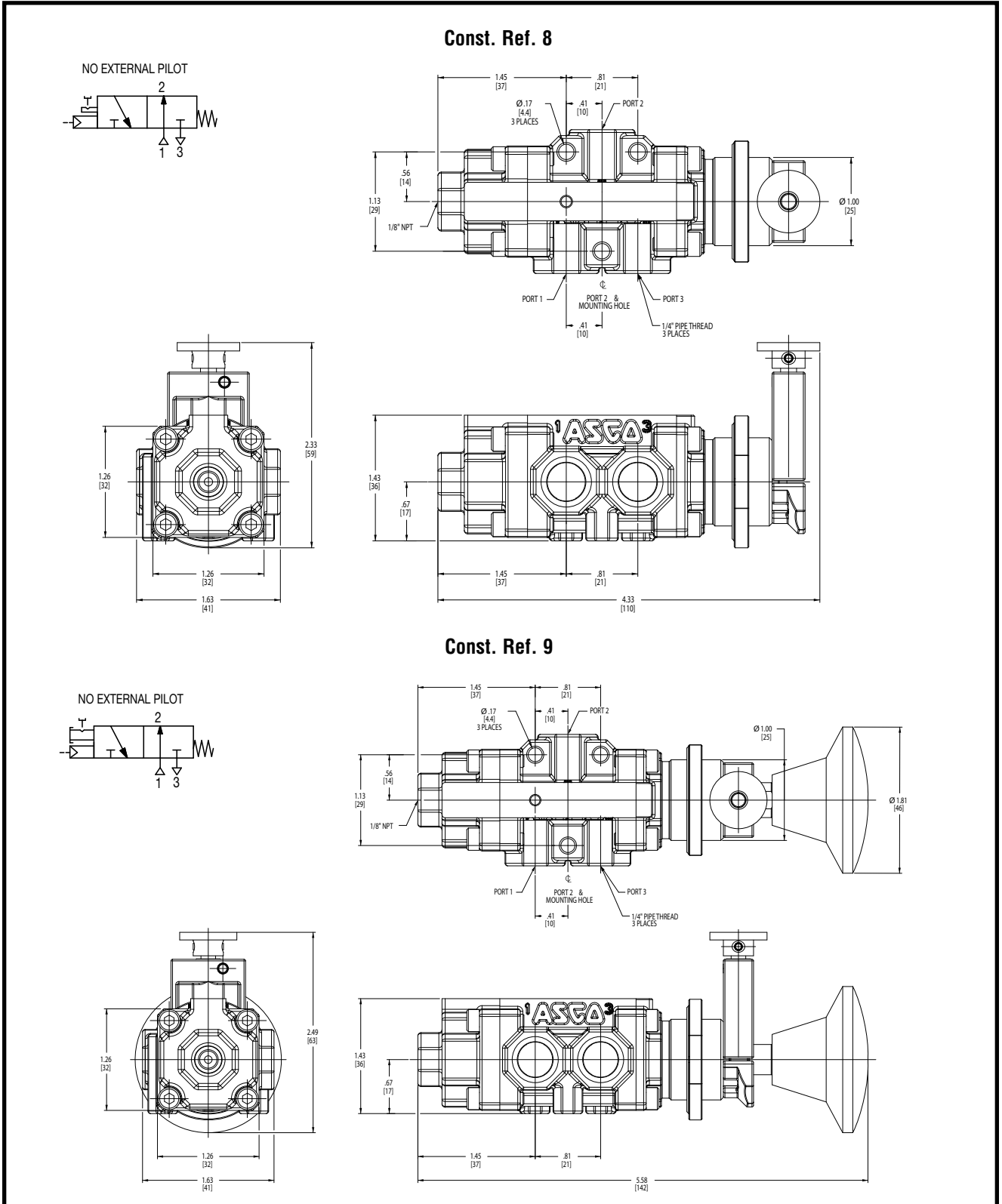


Const. Ref. 7



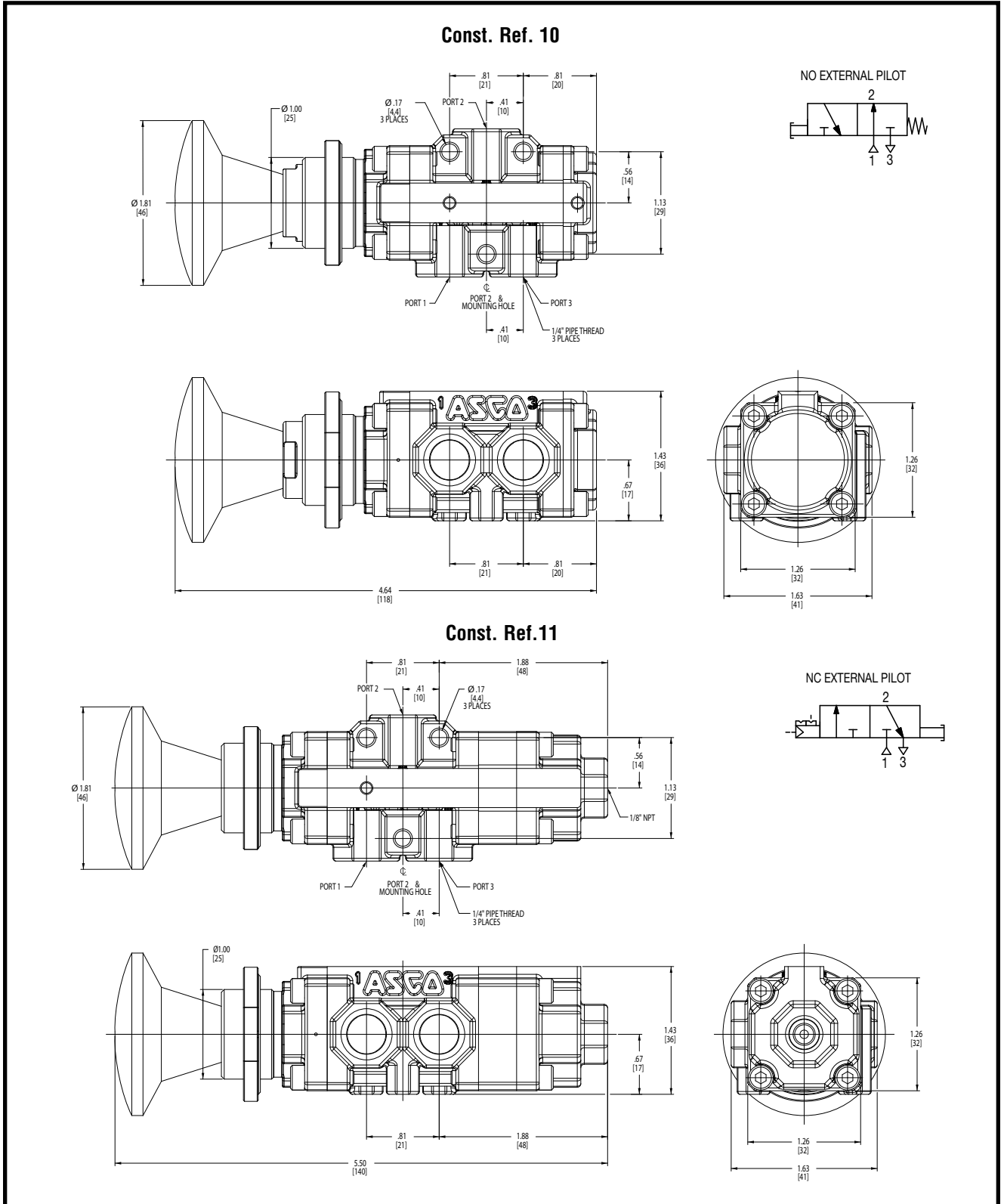
SPECIAL SERVICE
 PILOT

Dimensions: inches (mm)



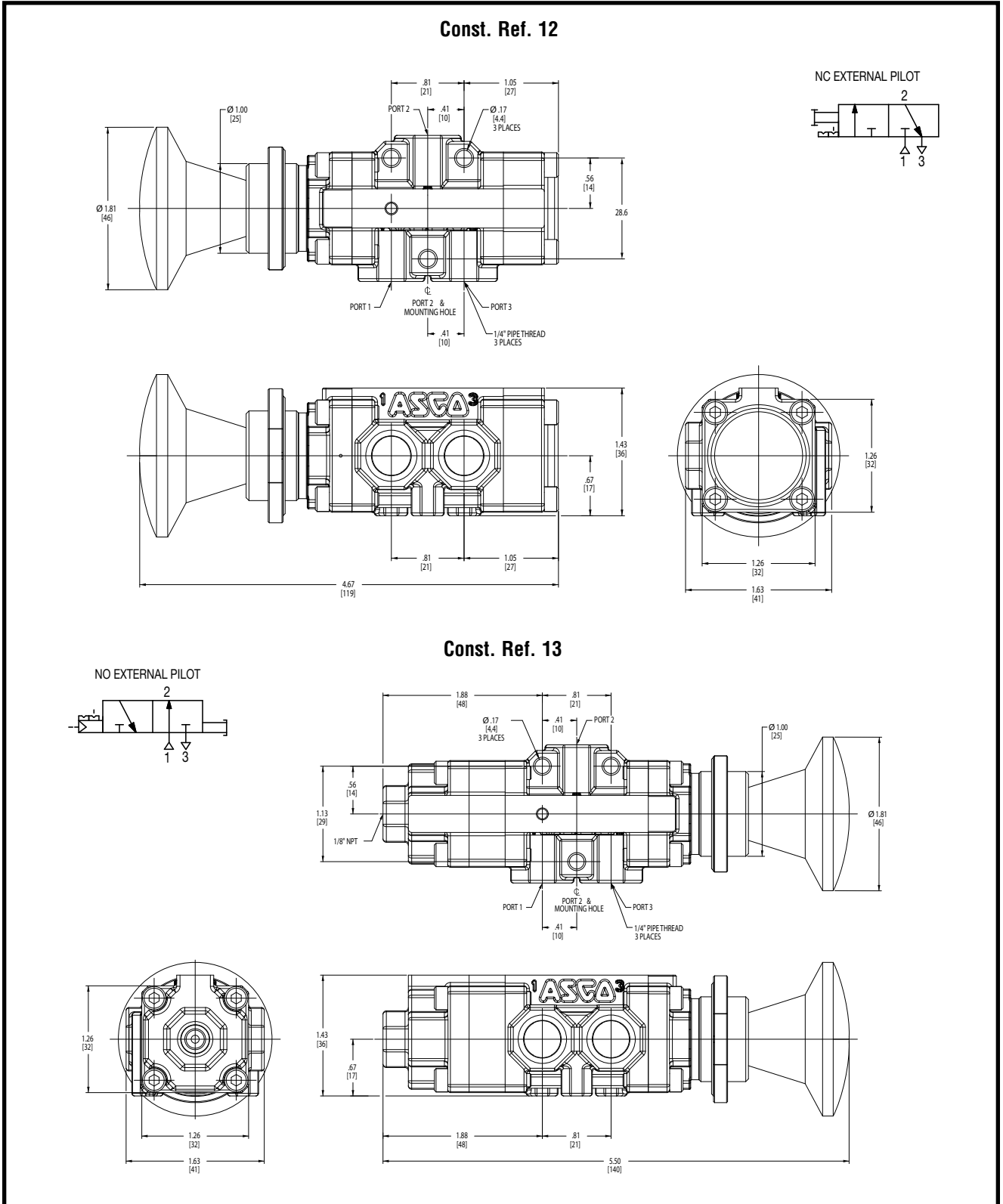
SPECIAL SERVICE PILOT

Dimensions: inches (mm)



SPECIAL SERVICE
 PILOT

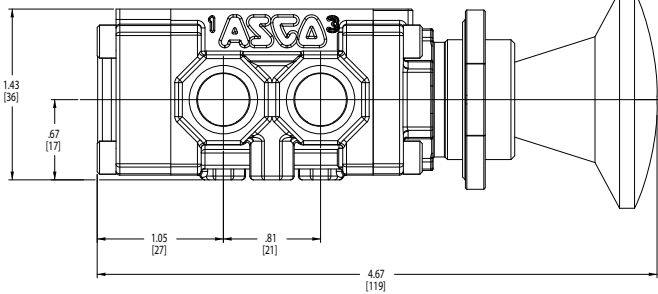
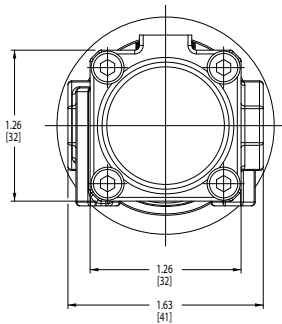
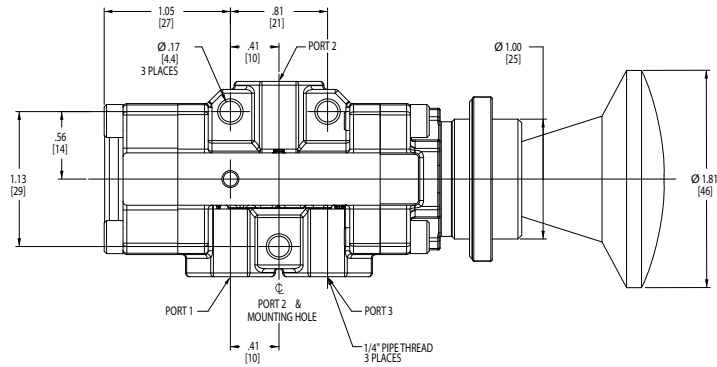
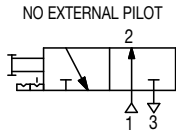
Dimensions: inches (mm)



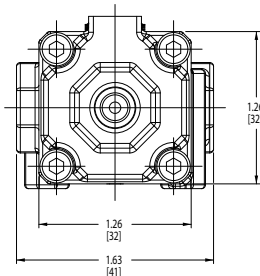
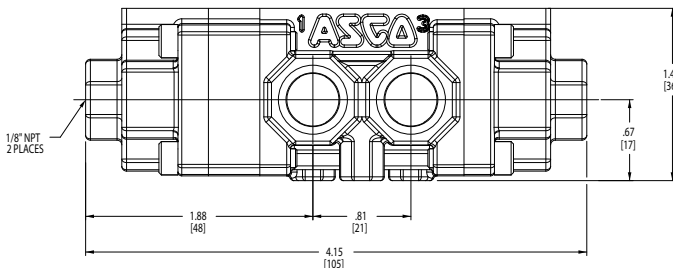
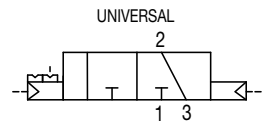
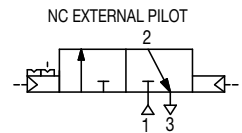
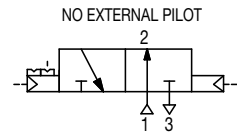
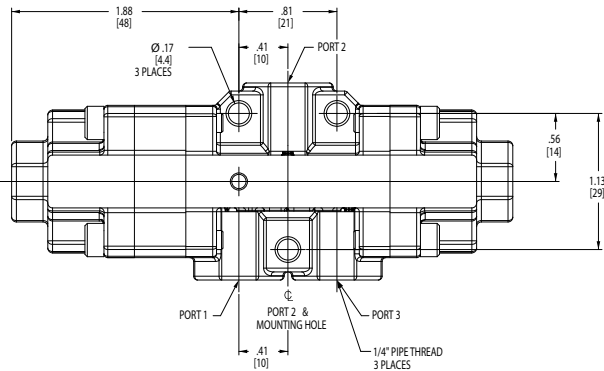
**SPECIAL SERVICE
PILOT**

Dimensions: inches (mm)

Const. Ref. 14

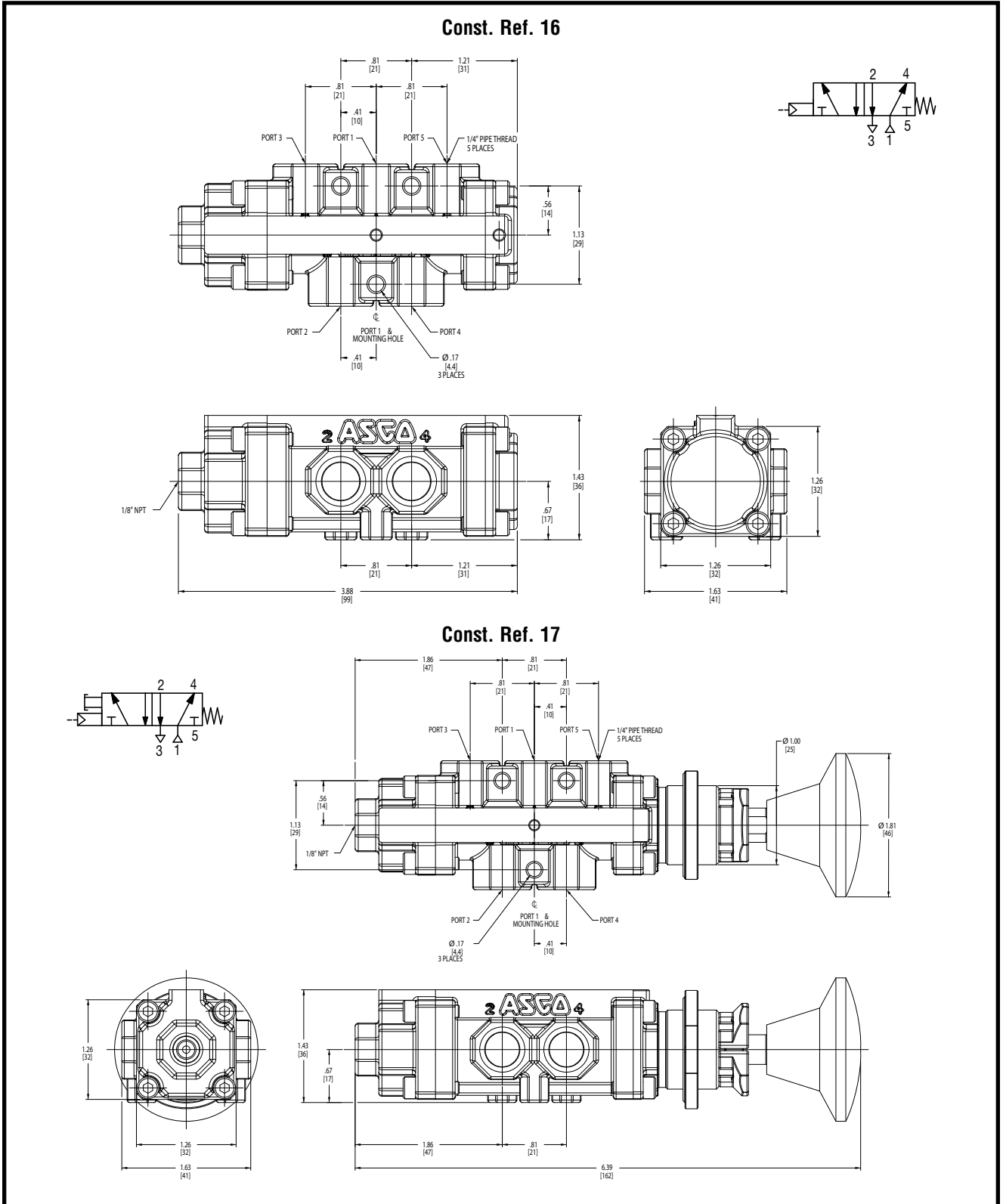


Const. Ref. 15



SPECIAL SERVICE
PILOT

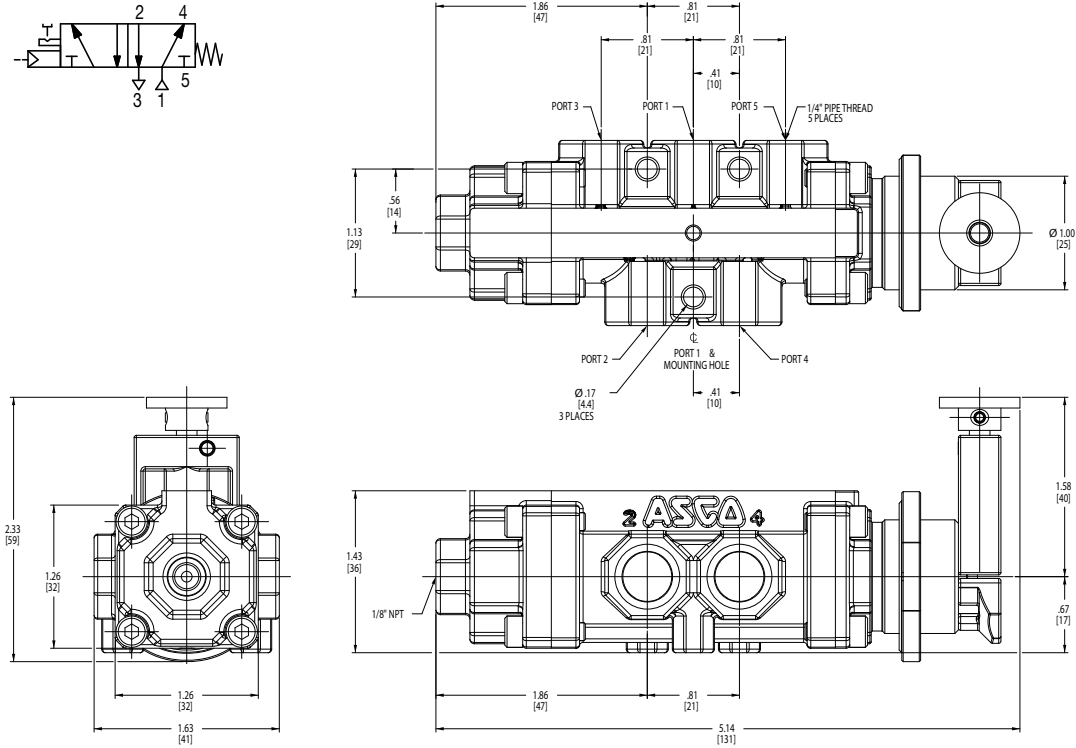
Dimensions: inches (mm)



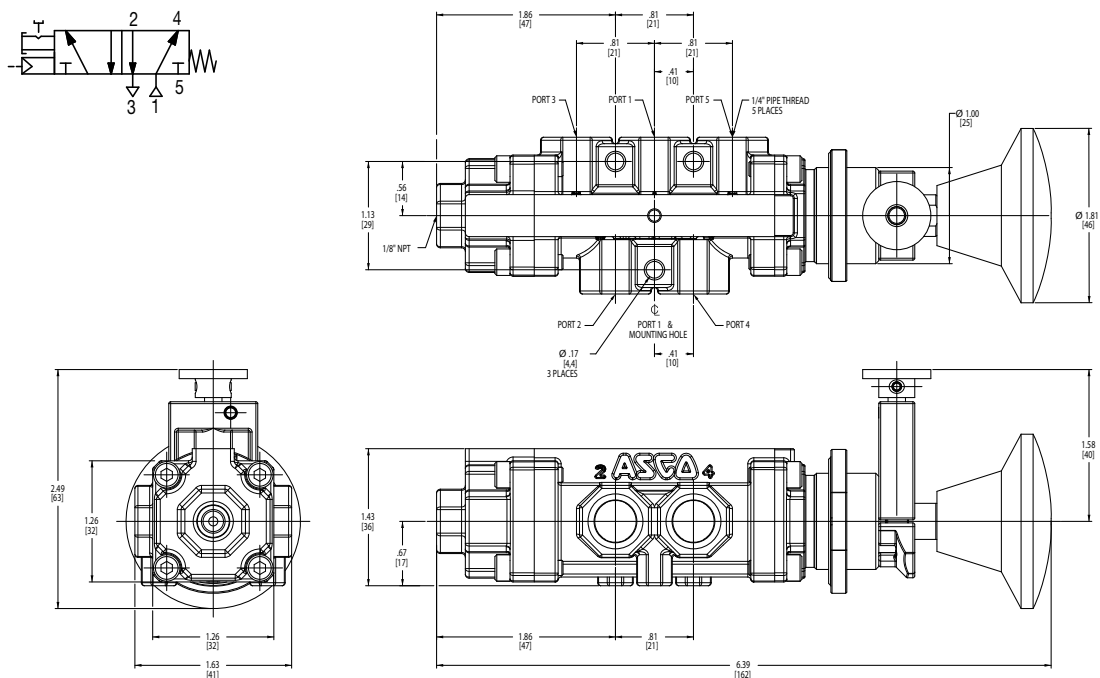
**SPECIAL SERVICE
PILOT**

Dimensions: inches (mm)

Const. Ref. 18

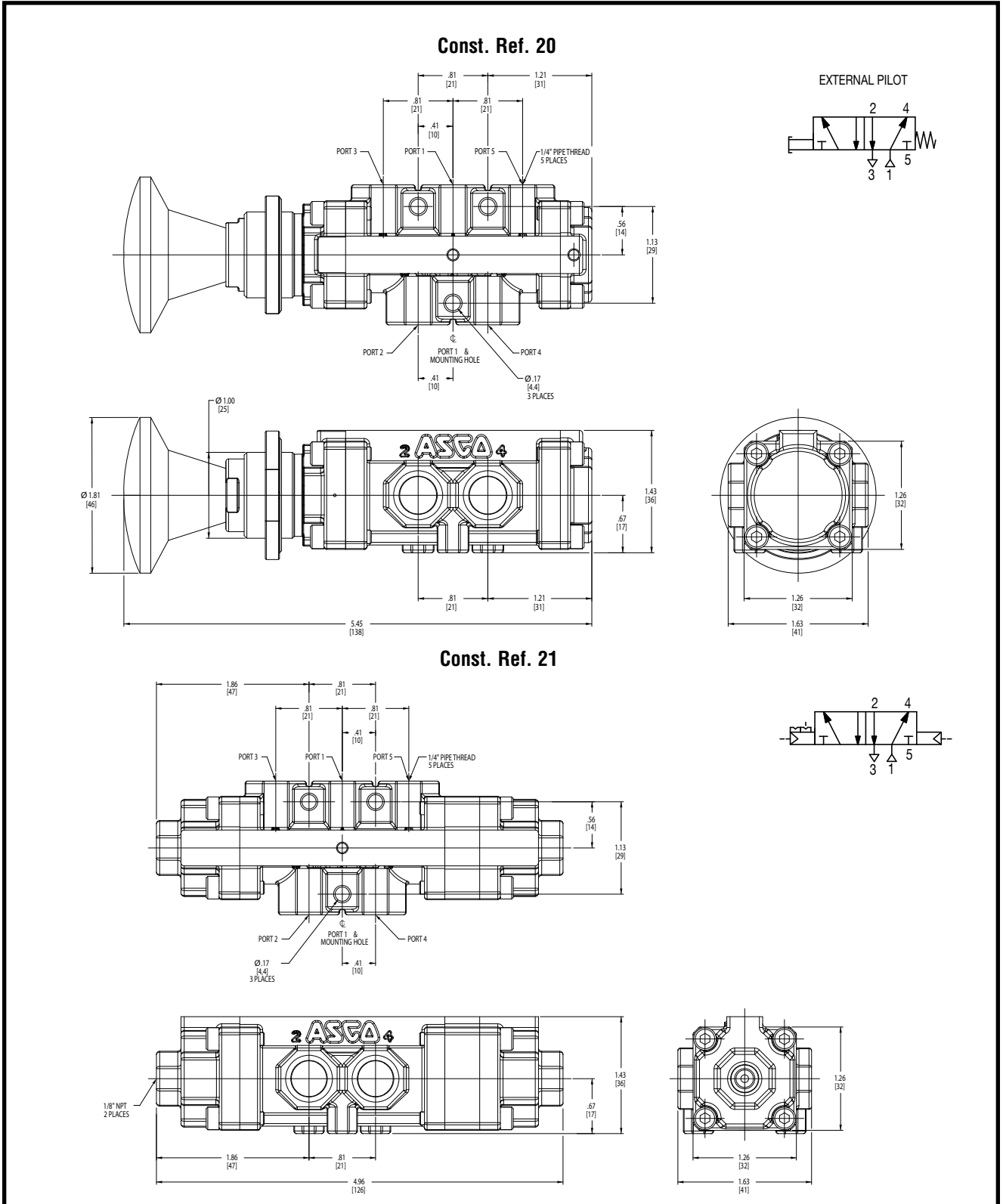


Const. Ref. 19



SPECIAL SERVICE
 PILOT

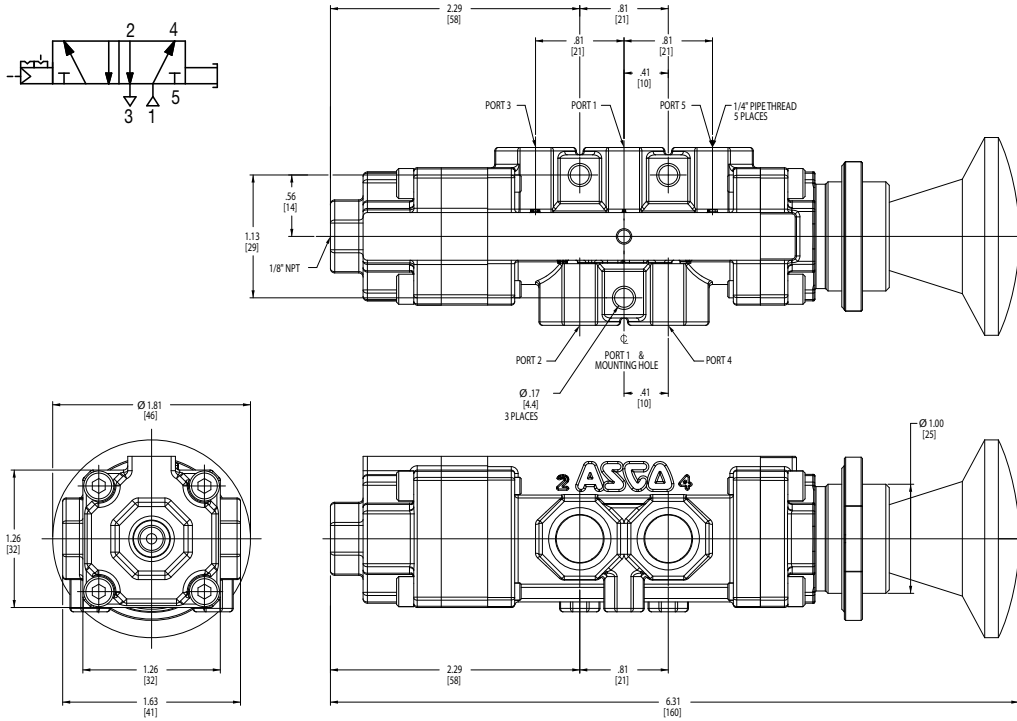
Dimensions: inches (mm)



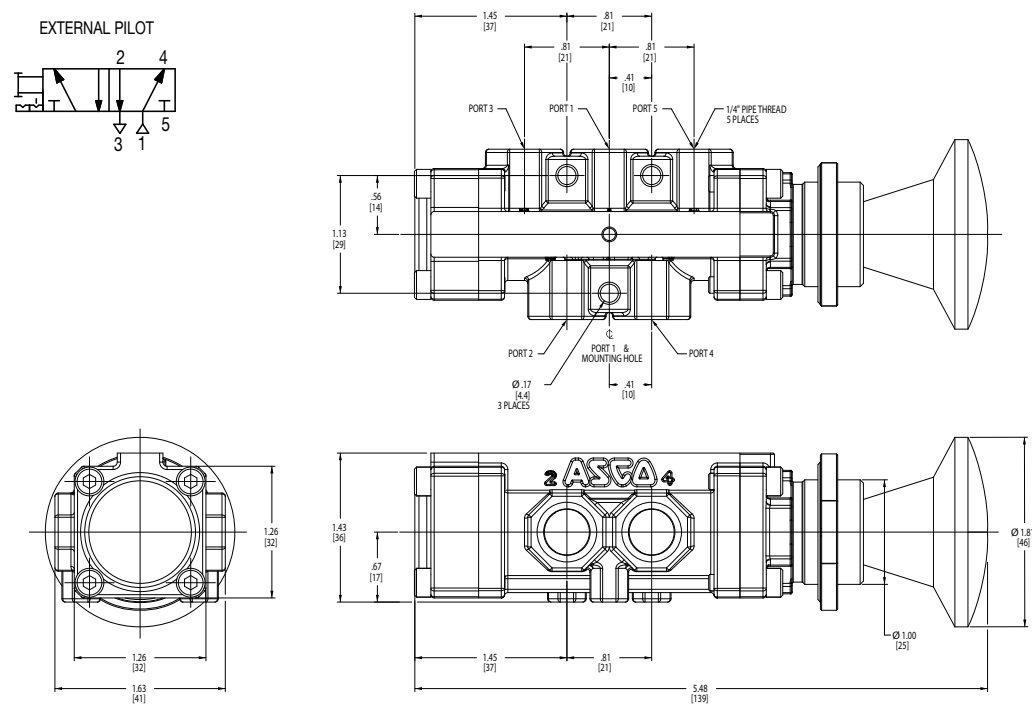
SPECIAL SERVICE
PILOT

Dimensions: inches (mm)

Const. Ref. 22

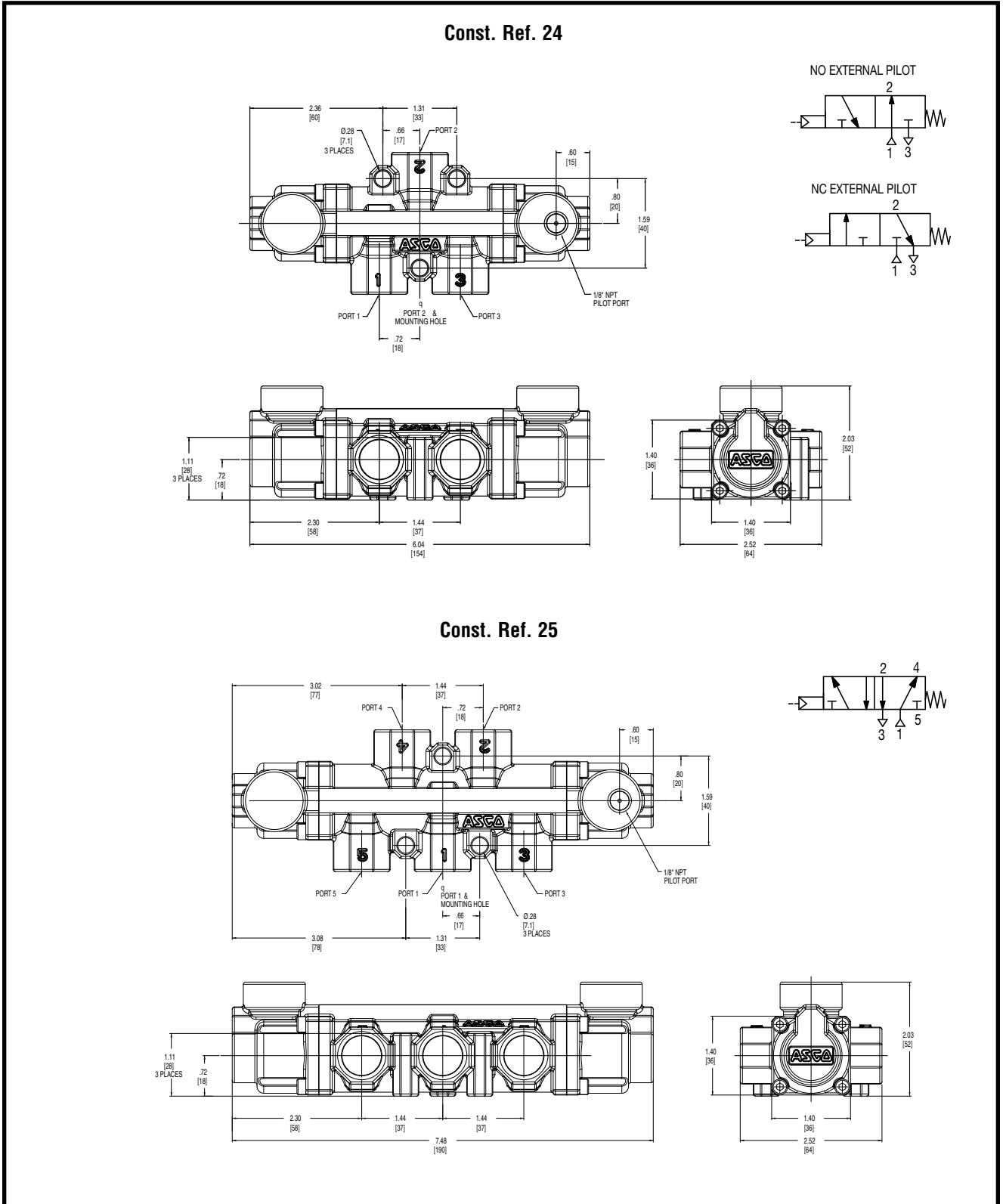


Const. Ref. 23



SPECIAL SERVICE
 PILOT

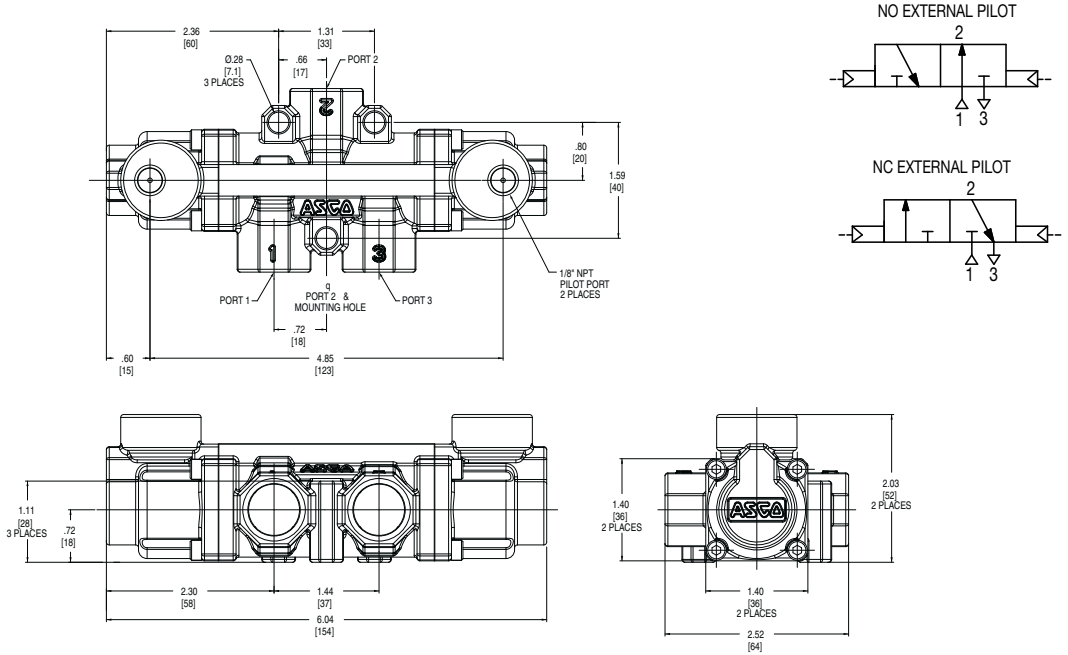
Dimensions: inches (mm)



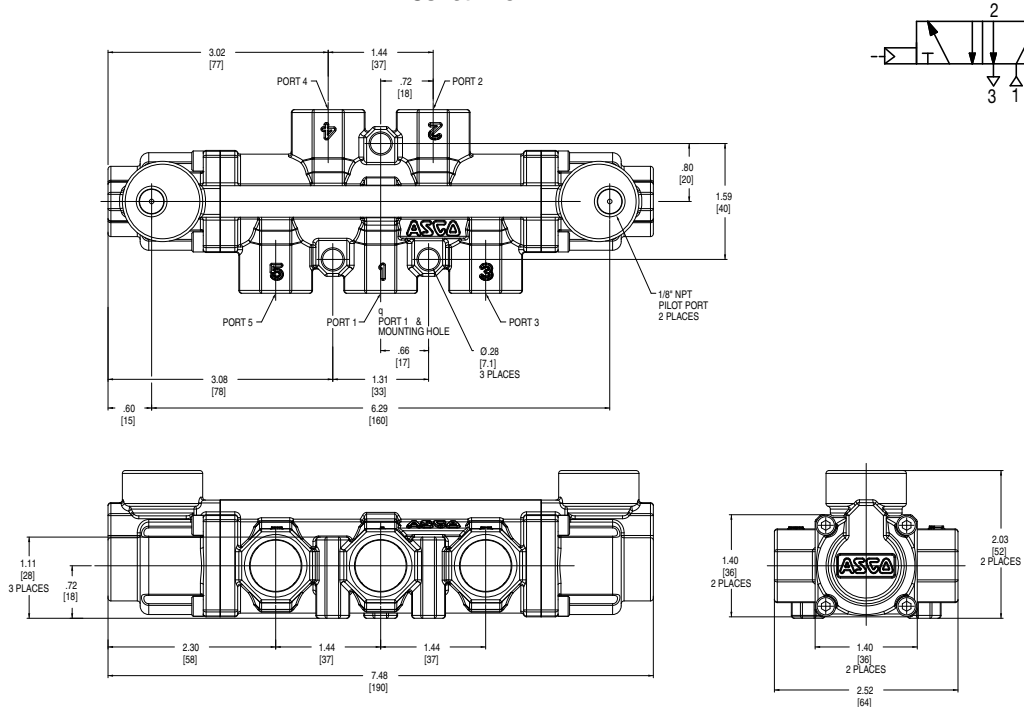
SPECIAL SERVICE PILOT

Dimensions: inches (mm)

Const. Ref. 26



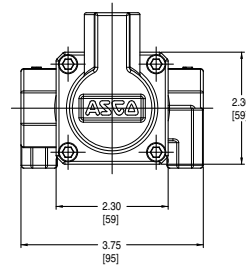
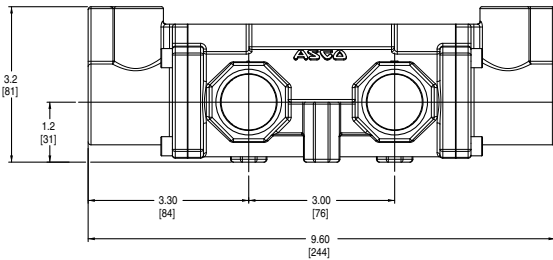
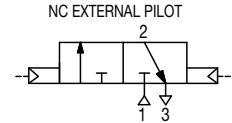
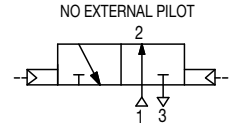
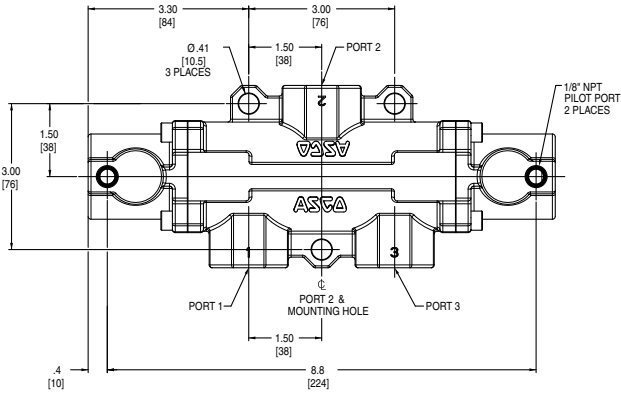
Const. Ref. 27



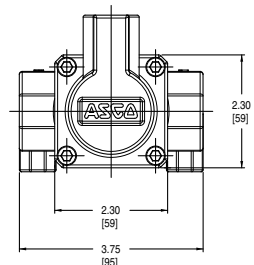
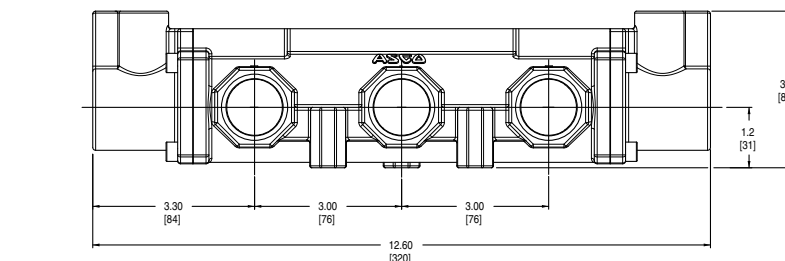
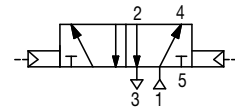
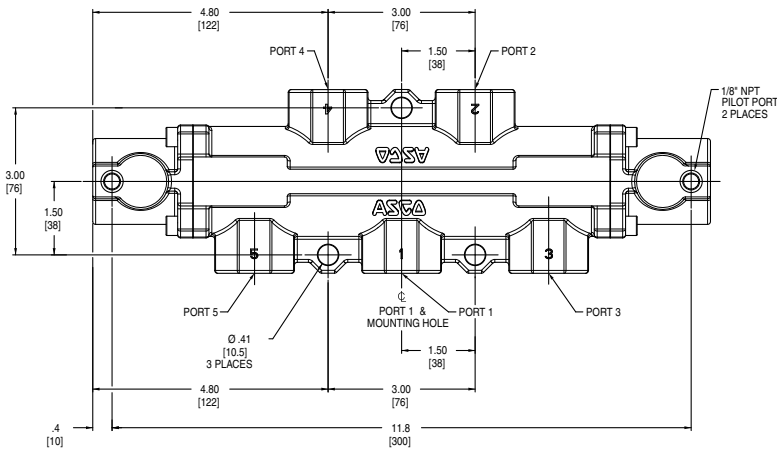
**SPECIAL SERVICE
 PILOT**

Dimensions: inches (mm)

Const. Ref. 30

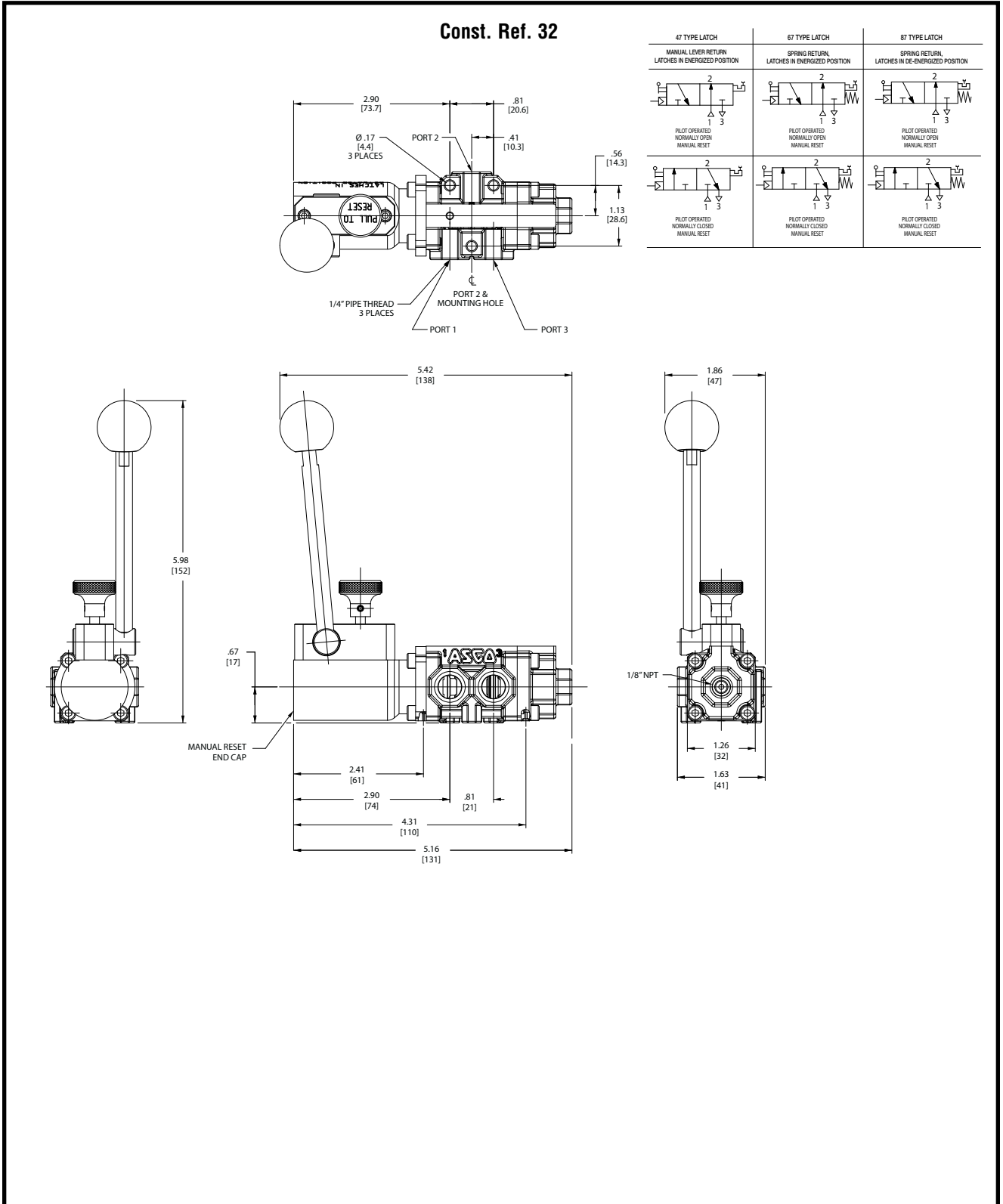


Const. Ref. 31



SPECIAL SERVICE
PILOT

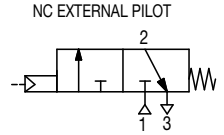
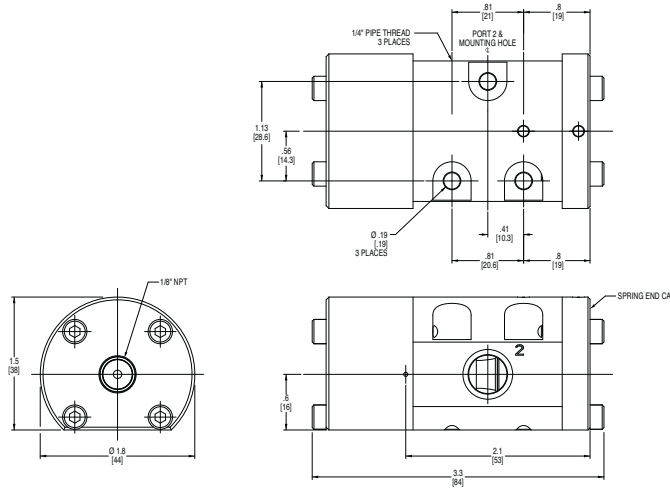
Dimensions: inches (mm)



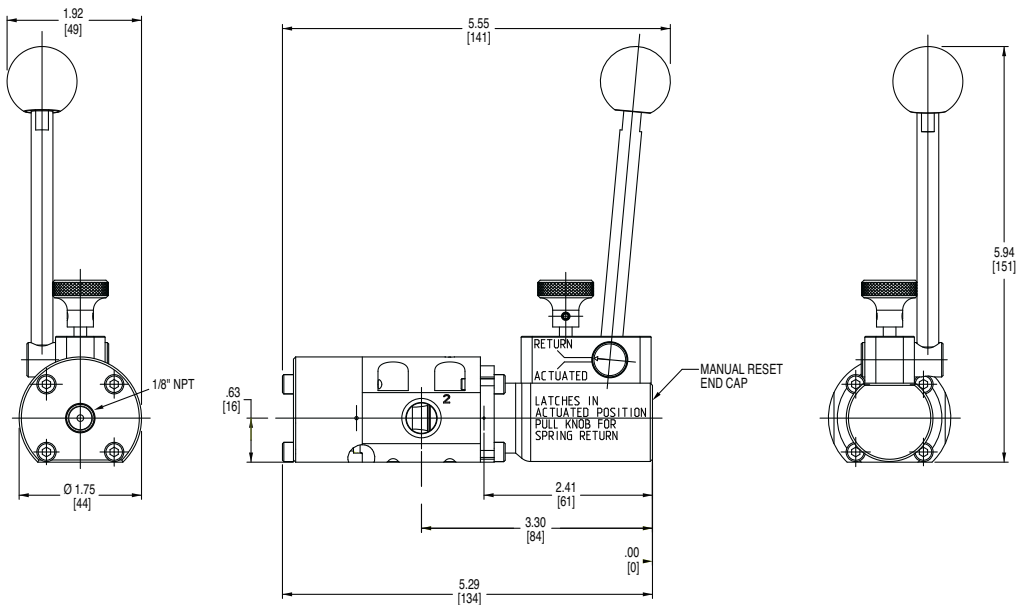
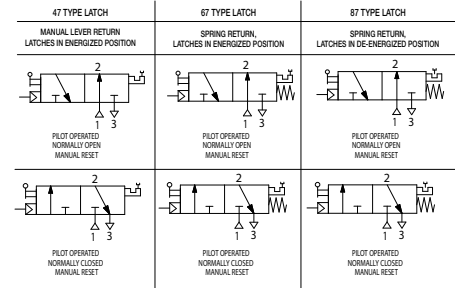
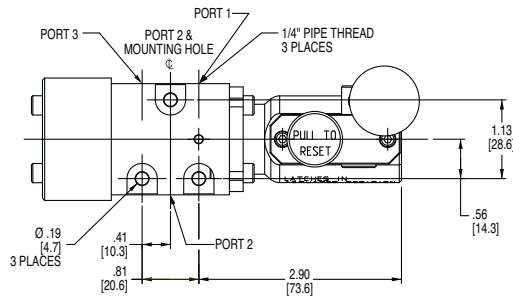
SPECIAL SERVICE
PILOT

Dimensions: inches (mm)

Const. Ref. 33



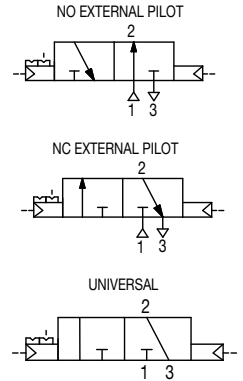
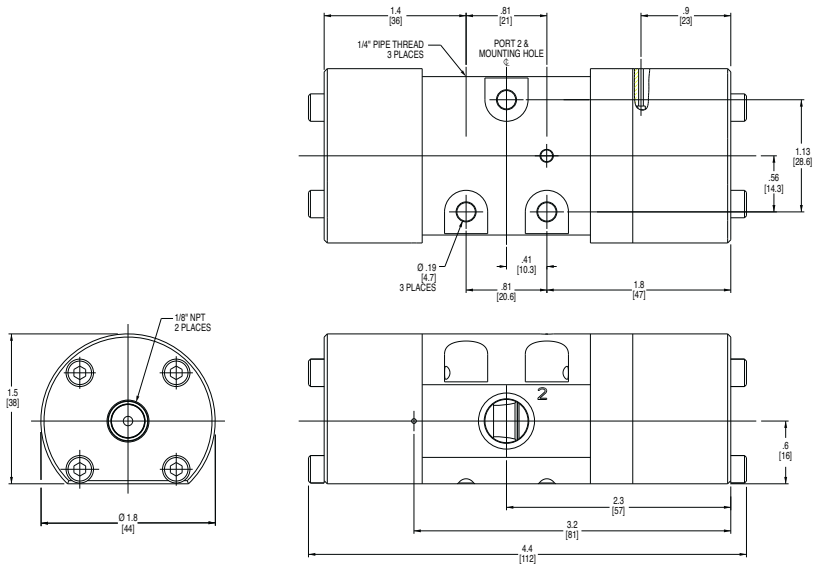
Const. Ref. 34



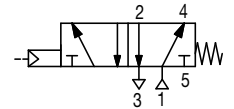
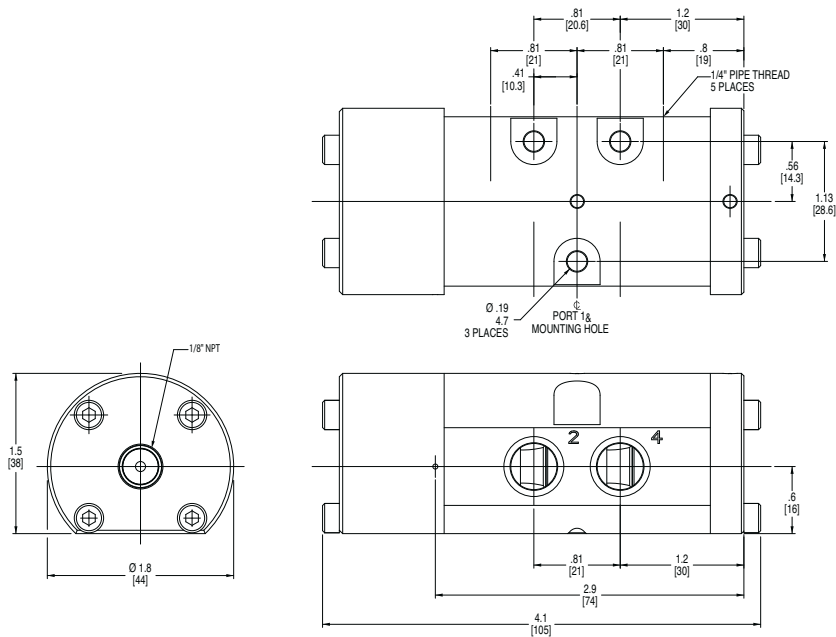
SPECIAL SERVICE
 PILOT

Dimensions: inches (mm)

Const. Ref. 35



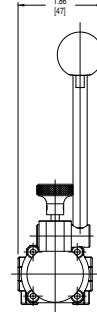
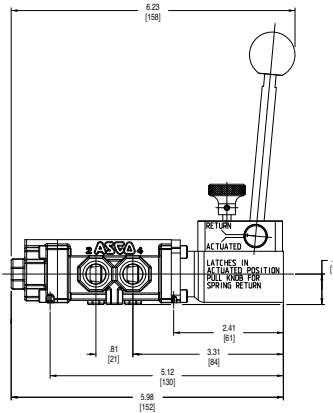
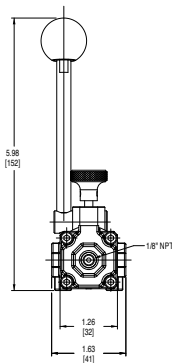
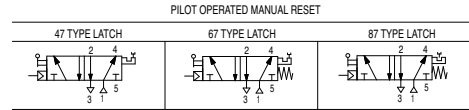
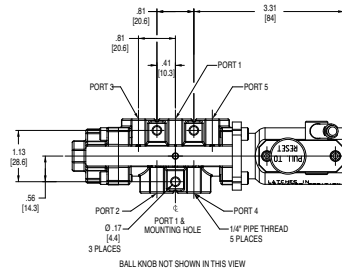
Const. Ref. 36



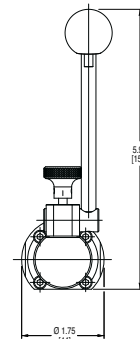
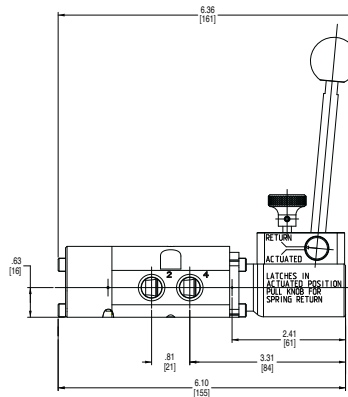
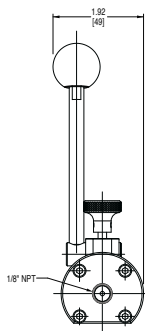
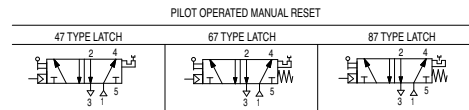
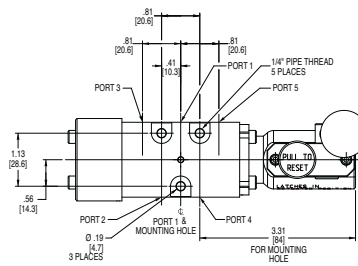
SPECIAL SERVICE
PILOT

Dimensions: inches (mm)

Const. Ref. 37



Const. Ref. 38



SPECIAL SERVICE PILOT

Dimensions: inches (mm)

Const. Ref. 39

