

Features

- Ideal for oil and gas control panel applications
- Drop-in replacement design - compatible with most existing applications which eliminates the need to modify existing designs
- NACE compliant
- Corrosion resistant - 316L Stainless Steel valve materials make it ideal for offshore and harsh environments
- Extensive manual and pneumatic options including Main Supply Reset versions
- Rated for air, natural gas and hydraulic oil (Grade 32)



Construction

| Valve Parts in Contact with Fluids | |
|------------------------------------|----------------------|
| Body | 316L Stainless Steel |
| Spring | Ni-Co Alloy |
| Seals | FKM |
| Spool | 316L Stainless Steel |

Nominal Ambient Temperature Range

Air, natural gas pilot: -10°F to 203°F (-23°C to 95°C)

Hydraulic oil pilot: 14°F to 203°F (-10°C to 95°C)

Refer to Engineering Section for details.

SPECIAL SERVICE
 PILOT

Ordering

8 3 6 4 A 1 1 3 0 0 1 1 0 0 0

Function

- 07 Pilot Operated/Spring Return
- 13 Double Pilot
- 16 Button Operated (guarded)/Spring Return
- 17 Button Operated (unguarded)/Spring Return
- 18 Palm Button with Pilot/Manual Return
- 19 Palm Button with Pilot/Spring Return
- 20 Palm Button with Air Latch Pilot/Spring Return
- 21 Latching Palm Button with Pilot/Spring Return
- 22 Latching Palm Button with Remote Air Latch Pilot/Spring Return
- 24 Indicating Palm Button with Air Latch Pilot/Spring Return
- 26 Indicating, Latching Palm Button with Air Latch Pilot/Spring Return
- 27 Indicating, Latching Palm Button with Pilot/Spring Return
- 28 Indicating Palm Button with Air Latch Pilot and Loss of Pressure Trip/Spring Return
- 29 Latching Palm Button with Air Latch Pilot/Spring Return

Construction / Pilot

- 0 Normally Closed / Externally Piloted
- 1 Normally Open / Externally Piloted
- 2 Normally Closed, Closed Center / Externally Piloted
- 7 Detent / Externally Piloted

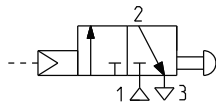
SPECIAL SERVICE
PILOT

Manually Operated

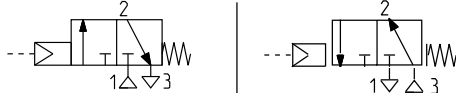
Button (guarded/unguarded)/Spring Return



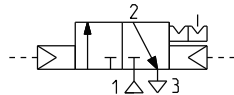
Palm Button with Pilot/Manual Return



Pilot Operated/Spring Return

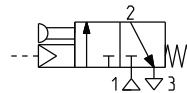


Double Pilot

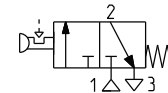


Manual Reset Options - Non Indicating

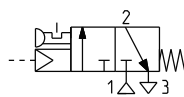
Palm Button with Air Pilot/Spring Return



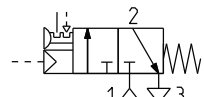
Palm Button with Air Latch Pilot/Spring Return



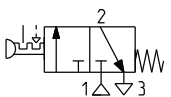
Latching Palm Button with Air Pilot/Spring Return



Latching Palm Button with Remote Air Latch Pilot/Spring Return

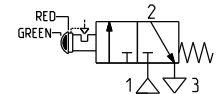


Latching Palm Button with Air Latch Pilot/Spring Return

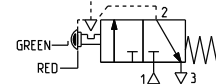


Manual Reset Options - Indicating

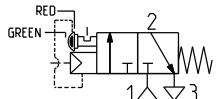
Indicating Palm Button with Air Latch Pilot/Spring Return



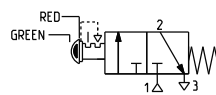
Indicating Palm Button with Air Latch Pilot and Loss of Pressure Trip/Spring Return



Indicating, Latching Palm Button with Air Pilot/Spring Return



Indicating, Latching Palm Button with Air Latch Pilot/Spring Return



Specifications English units (Metric)

| Pipe Size (in) | Flow Cv (Kv) | Base Catalog Number | Operating Pressure Differential psi (bar) | | External Pilot Pressure psi (bar) | | | Max. Fluid Temp. °F (°C) | Function | Const. Ref. |
|--|--------------|---------------------|---|------------|-----------------------------------|--------------------------|------------|--------------------------|---|-------------|
| | | | Min. | Max. | Min. | | Max. | | | |
| | | | | | Air/Natural Gas | Hydraulic oil (Grade 32) | | | | |
| Normally Open / Externally Piloted | | | | | | | | | | |
| 1/4 | 1.1 (0.95) | 8364A1160011000 | 0 | 200 (13.8) | - | - | - | 203 (95) | Button Operated (guarded)/Spring Return | 1 |
| 1/4 | 1.1 (0.95) | 8364A1170011000 | 0 | 200 (13.8) | - | - | - | 203 (95) | Button Operated (unguarded)/Spring Return | 2 |
| 1/4 | 1.1 (0.95) | 8364A1070011000 | 0 | 200 (13.8) | 36 (2.5) | - | 200 (13.8) | 203 (95) | Pilot Operated/Spring Return | 3 |
| Normally Closed, Closed Center / Externally Piloted | | | | | | | | | | |
| 1/4 | 0.8 (0.71) | 8364A1160021000 | 0 | 200 (13.8) | - | - | - | 203 (95) | Button Operated (guarded)/Spring Return | 4 |
| 1/4 | 0.8 (0.71) | 8364A1070021000 | 0 | 200 (13.8) | 36 (2.5) | 70*90** | 200 (13.8) | 203 (95) | Pilot Operated/Spring Return | 5 |
| 1/4 | 0.8 (0.71) | 8364A1180021000 | 0 | 200 (13.8) | 15 (1) | 70*90** | 200 (13.8) | 203 (95) | Palm Button with Pilot/Manual Return | 6 |
| Normally Closed / Externally Piloted | | | | | | | | | | |
| 1/4 | 1.6 (1.38) | 8364A1160001000 | 0 | 200 (13.8) | - | - | - | 203 (95) | Button Operated (guarded)/Spring Return | 1 |
| 1/4 | 1.6 (1.38) | 8364A1170001000 | 0 | 200 (13.8) | - | - | - | 203 (95) | Button Operated (unguarded)/Spring Return | 7 |
| 1/4 | 1.6 (1.38) | 8364A1070001000 | 0 | 200 (13.8) | 36 (2.5) | - | 200 (13.8) | 203 (95) | Pilot Operated/Spring Return | 3 |
| 1/4 | 1.6 (1.38) | 8364A1180001000 | 0 | 200 (13.8) | 15 (1) | - | 200 (13.8) | 203 (95) | Palm Button with Pilot/Manual Return | 6 |
| 1/4 | 1.6 (1.38) | 8364A1190001000 | 0 | 200 (13.8) | 25 (1.7) | - | 200 (13.8) | 203 (95) | Palm Button with Pilot/Spring Return | 6 |
| 1/4 | 1.6 (1.38) | 8364A1200001000 | 0 | 200 (13.8) | 40 (2.8) | - | 200 (13.8) | 203 (95) | Palm Button with Air Latch Pilot/Spring Return | 8 |
| 1/4 | 1.6 (1.38) | 8364A1210001000 | 0 | 200 (13.8) | 25 (1.7) | - | 200 (13.8) | 203 (95) | Latching Palm Button with Pilot/Spring Return | 9 |
| 1/4 | 1.6 (1.38) | 8364A1270001000 | 0 | 200 (13.8) | 25 (1.7) | - | 200 (13.8) | 203 (95) | Indicating, Latching Palm Button with Pilot/Spring Return | 10 |
| 1/4 | 1.6 (1.38) | 8364A1240001000 | 0 | 200 (13.8) | 40 (2.8) | - | 200 (13.8) | 203 (95) | Indicating Palm Button with Air Latch Pilot/Spring Return | 11 |
| 1/4 | 1.6 (1.38) | 8364A1290001000 | 0 | 200 (13.8) | 40 (2.8) | - | 200 (13.8) | 203 (95) | Latching Palm Button with Air Latch Pilot/Spring Return | 12 |
| 1/4 | 1.6 (1.38) | 8364A1260001000 | 0 | 200 (13.8) | 40 (2.8) | - | 200 (13.8) | 203 (95) | Indicating, Latching Palm Button with Air Latch Pilot/Spring Return | 13 |
| 1/4 | 1.6 (1.38) | 8364A1280001000 | 0 | 75 (5.2) | 40 (2.8) | - | 75 (5.2) | 203 (95) | Indicating Palm Button with Air Latch Pilot and Loss of Pressure Trip/Spring Return | 11 |
| 1/4 | 1.6 (1.38) | 8364A1220001000 | 0 | 200 (13.8) | 50 (3.4) | - | 200 (13.8) | 203 (95) | Latching Palm Button with Remote Air Latch Pilot/Spring Return | 14 |
| Detent / Externally Piloted | | | | | | | | | | |
| 1/4 | 1.6 (1.38) | 8364A1130071000 | 0 | 200 (13.8) | 15 (1) | - | 200 (13.8) | 203 (95) | Double Pilot | 15 |

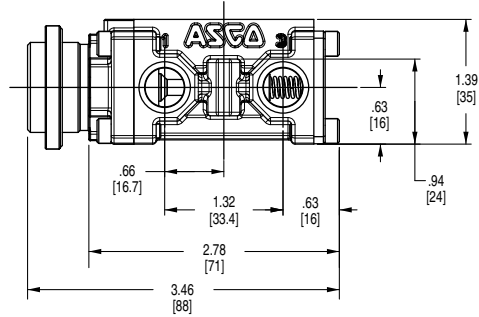
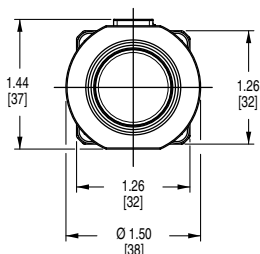
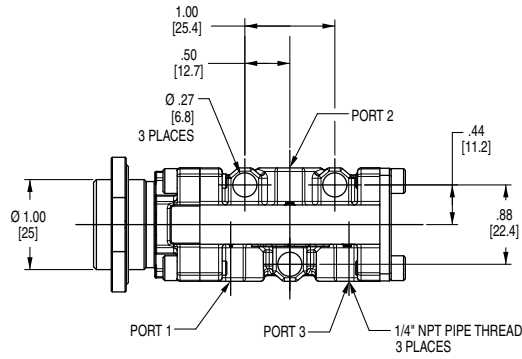
*When Pilot Media is Air and Main Valve Media is Hydraulic Oil: Min. Pilot Pressure is 70 psi (4.8 bar)

**When Pilot Media is Hydraulic Oil and Main Valve Media is Hydraulic Oil: Min. Pilot Pressure is 90 psi (6.2 bar)

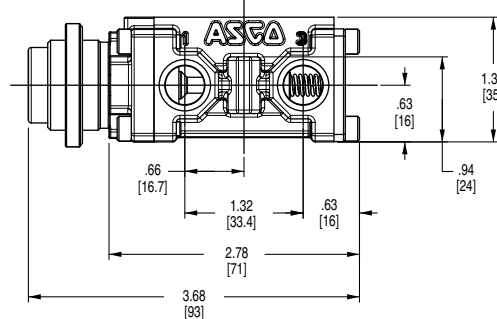
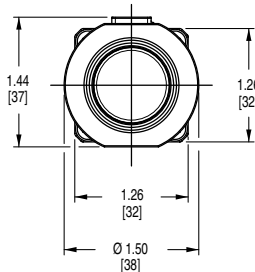
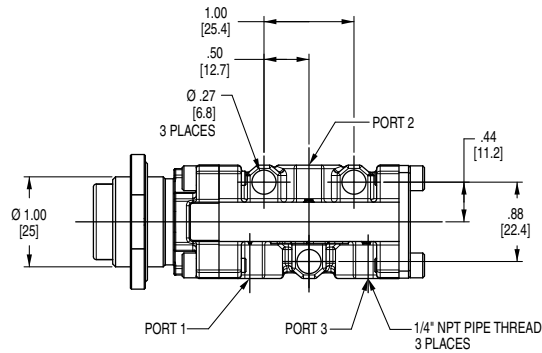
SPECIAL SERVICE
PILOT

Dimensions: inches (mm)

Const. Ref. 1



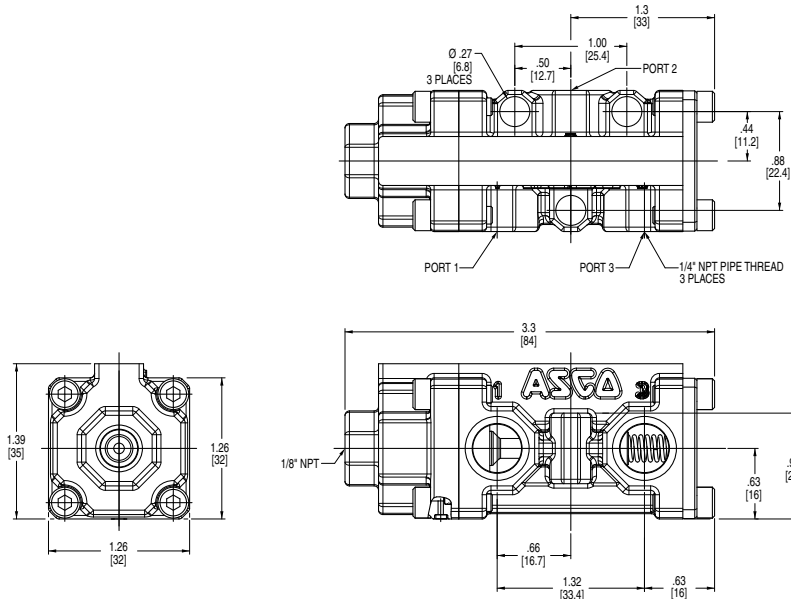
Const. Ref. 2



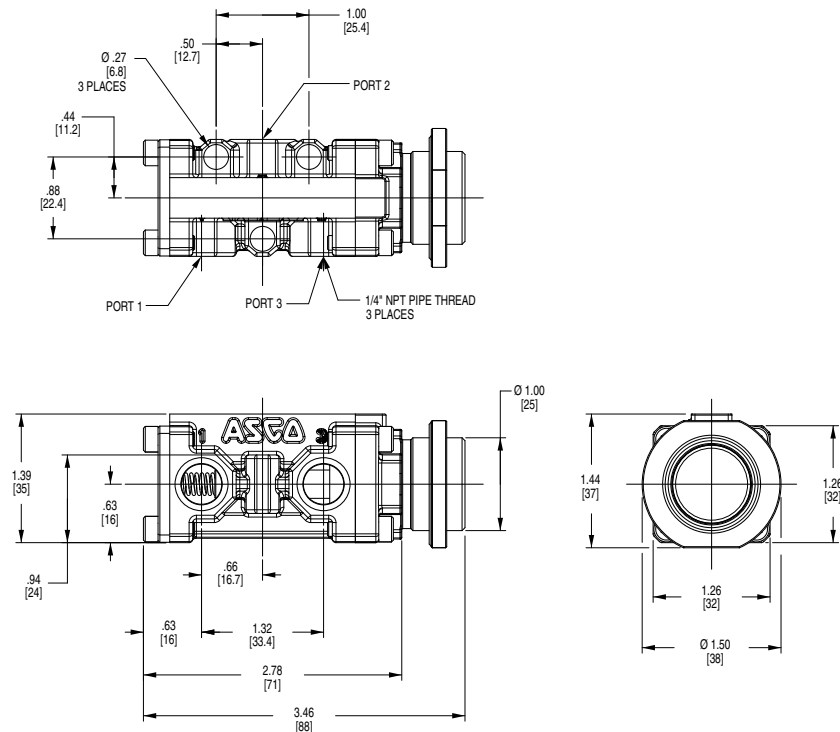
SPECIAL SERVICE
PILOT

Dimensions: inches (mm)

Const. Ref. 3



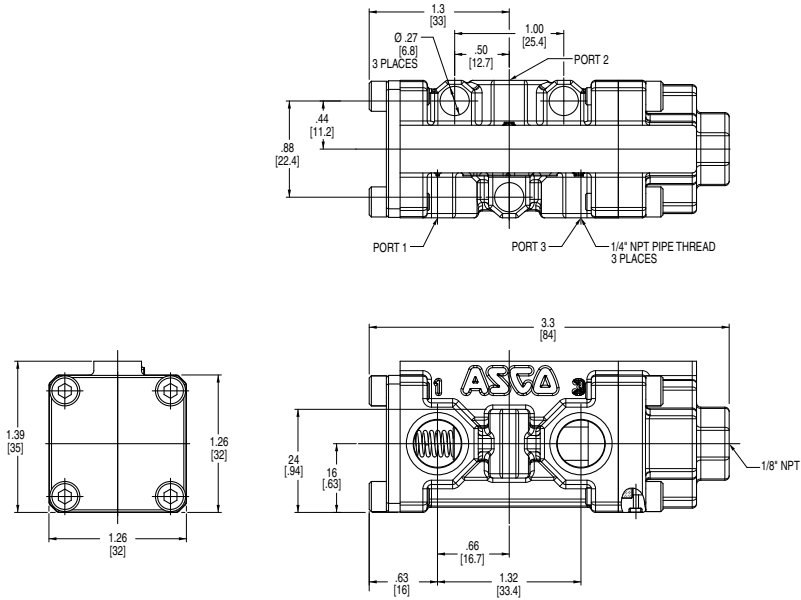
Const. Ref. 4



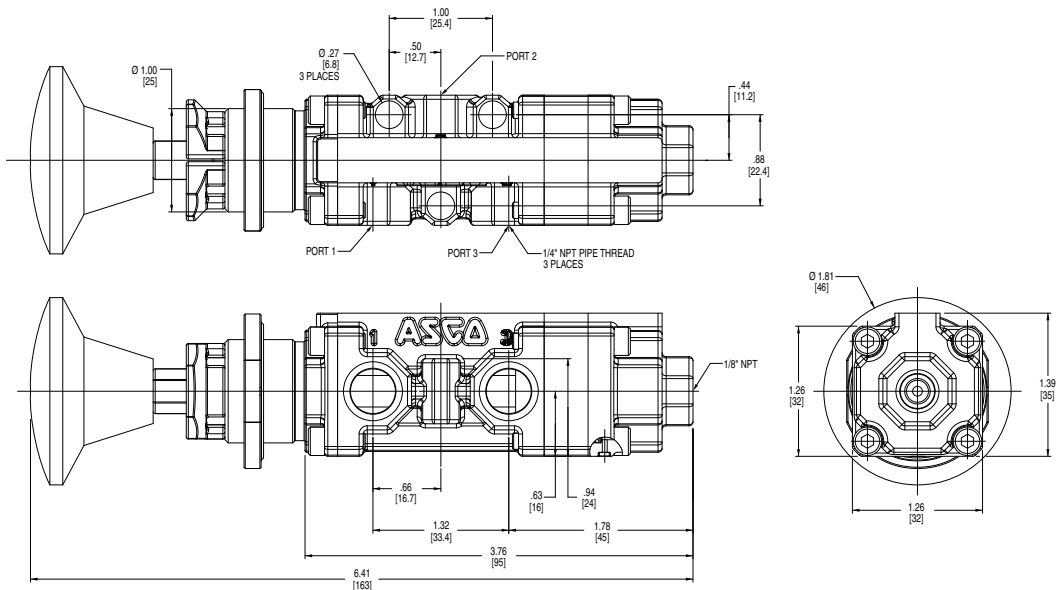
SPECIAL SERVICE
PILOT

Dimensions: inches (mm)

Const. Ref. 5



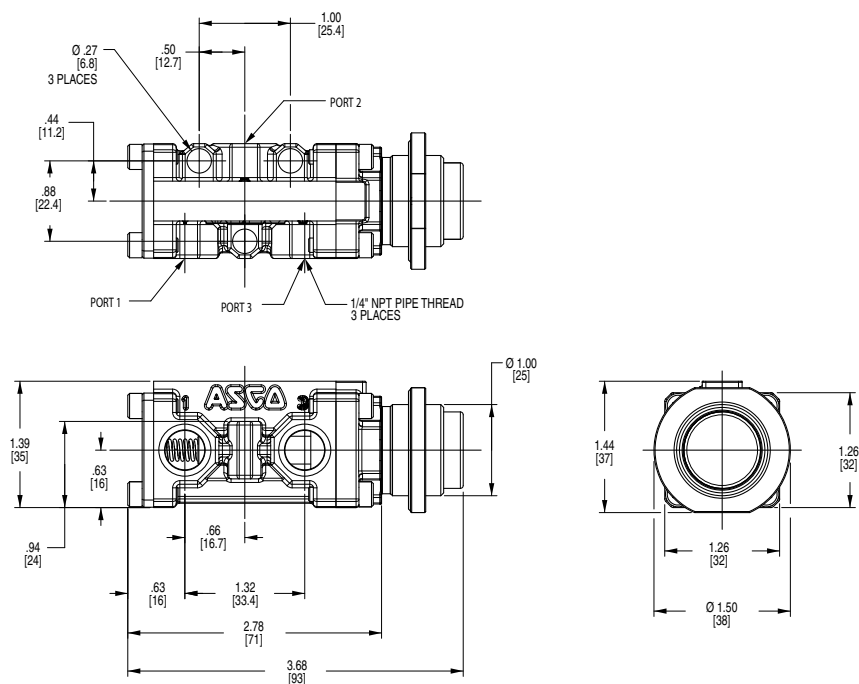
Const. Ref. 6



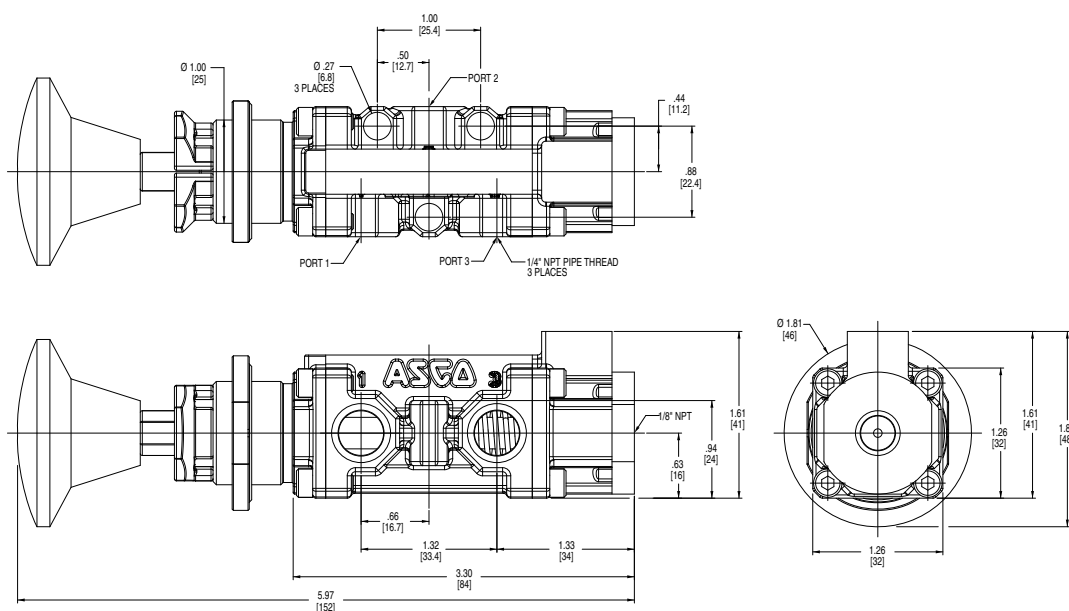
SPECIAL SERVICE
PILOT

Dimensions: inches (mm)

Const. Ref. 7



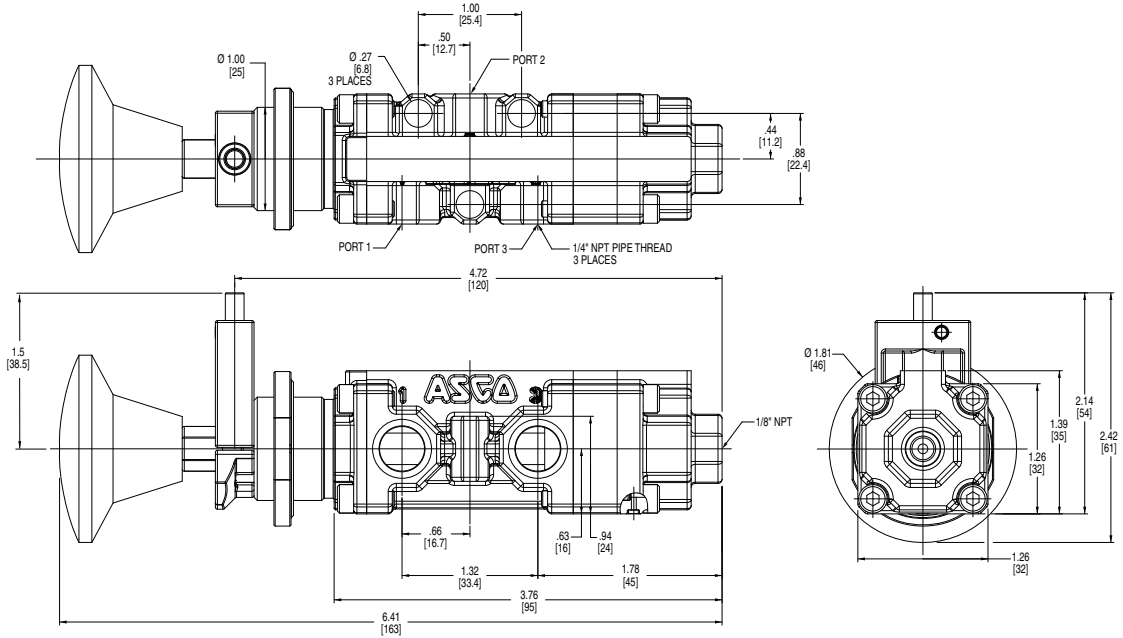
Const. Ref. 8



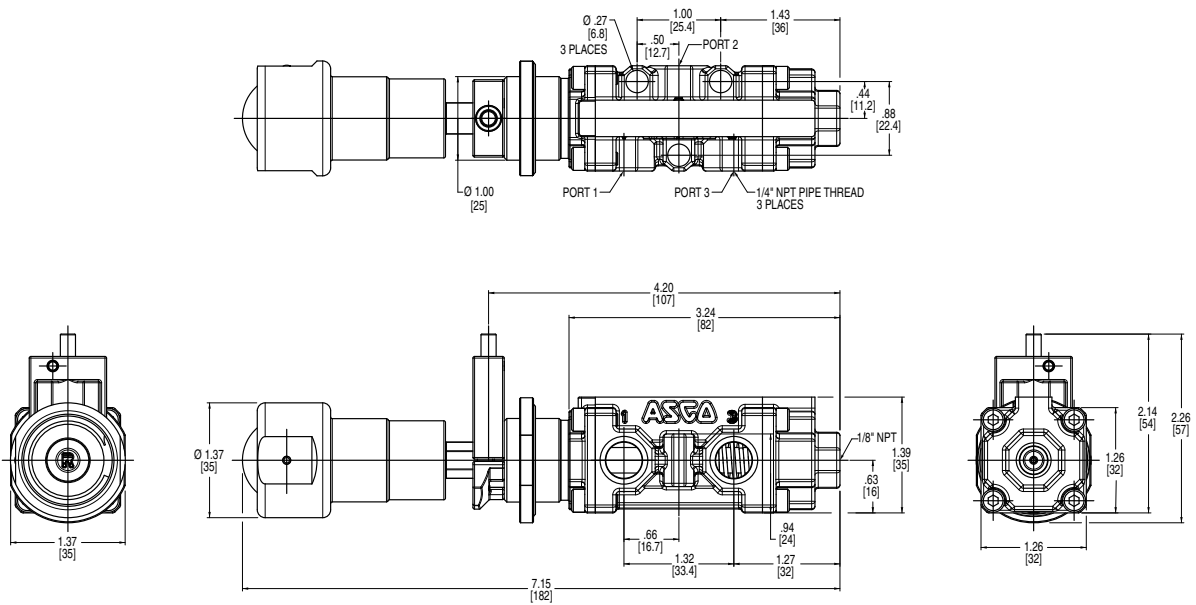
SPECIAL SERVICE
PILOT

Dimensions: inches (mm)

Const. Ref. 9



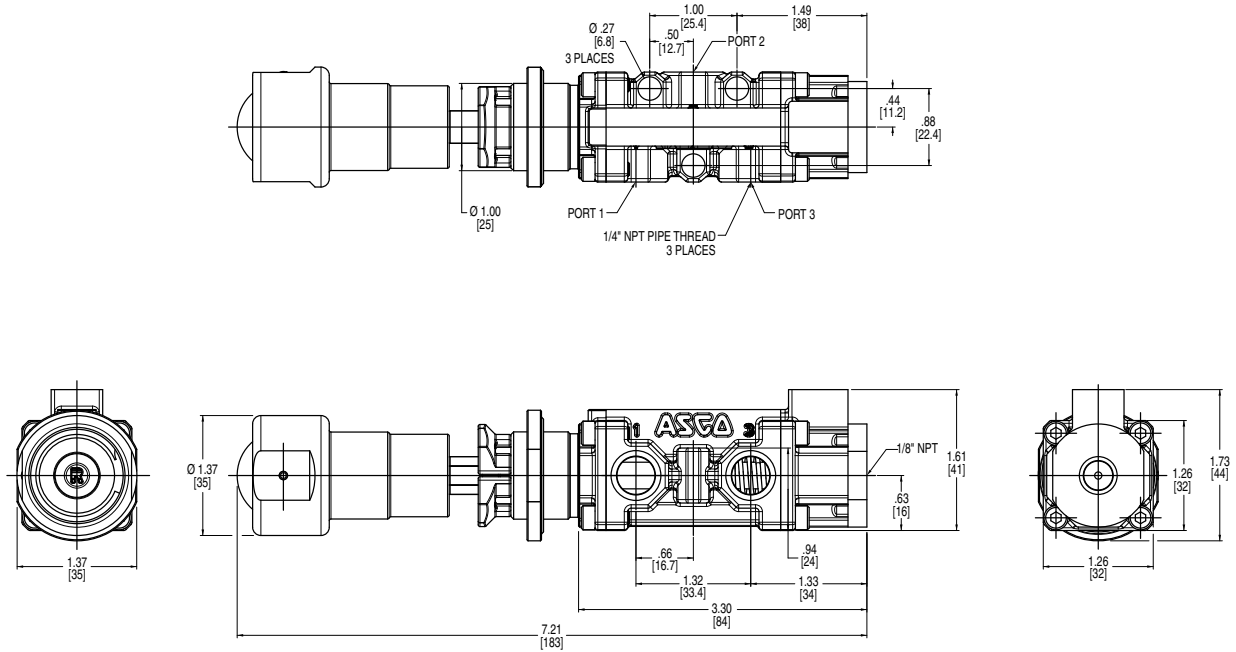
Const. Ref. 10



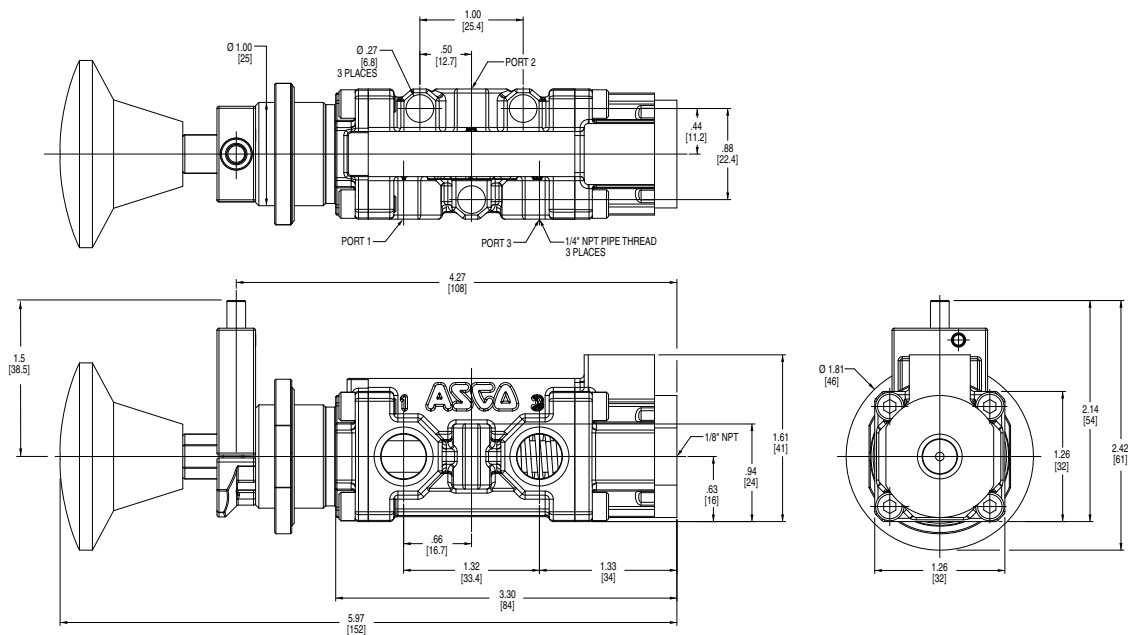
SPECIAL SERVICE
PILOT

Dimensions: inches (mm)

Const. Ref. 11



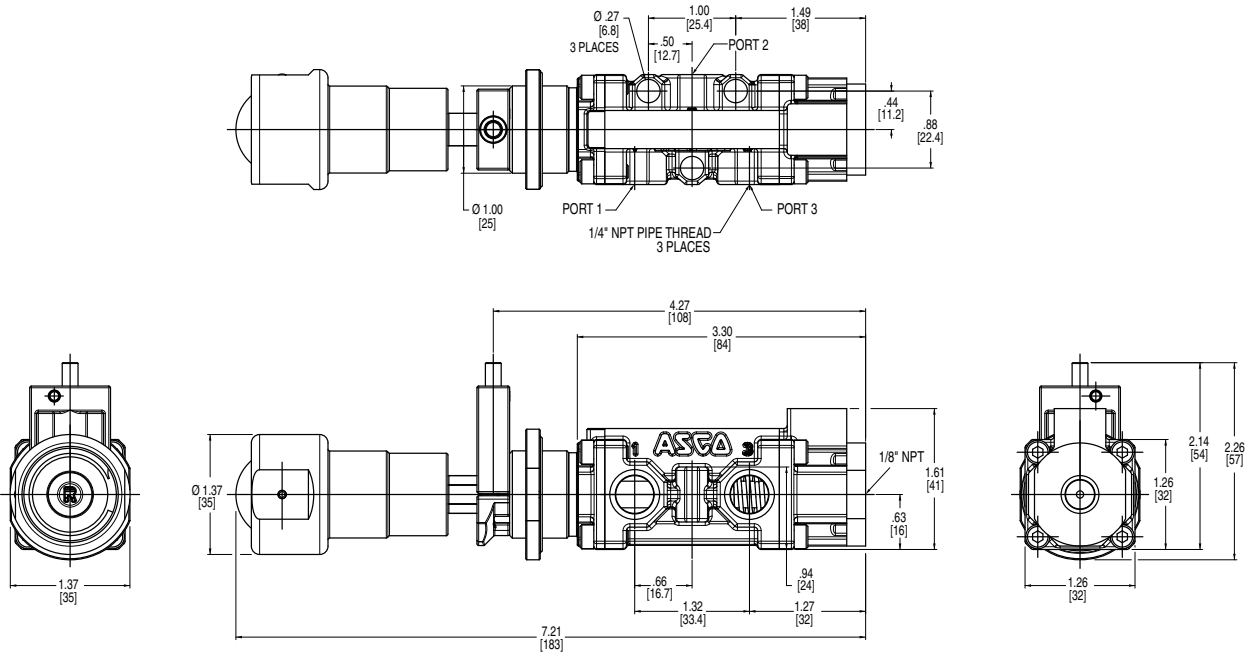
Const. Ref. 12



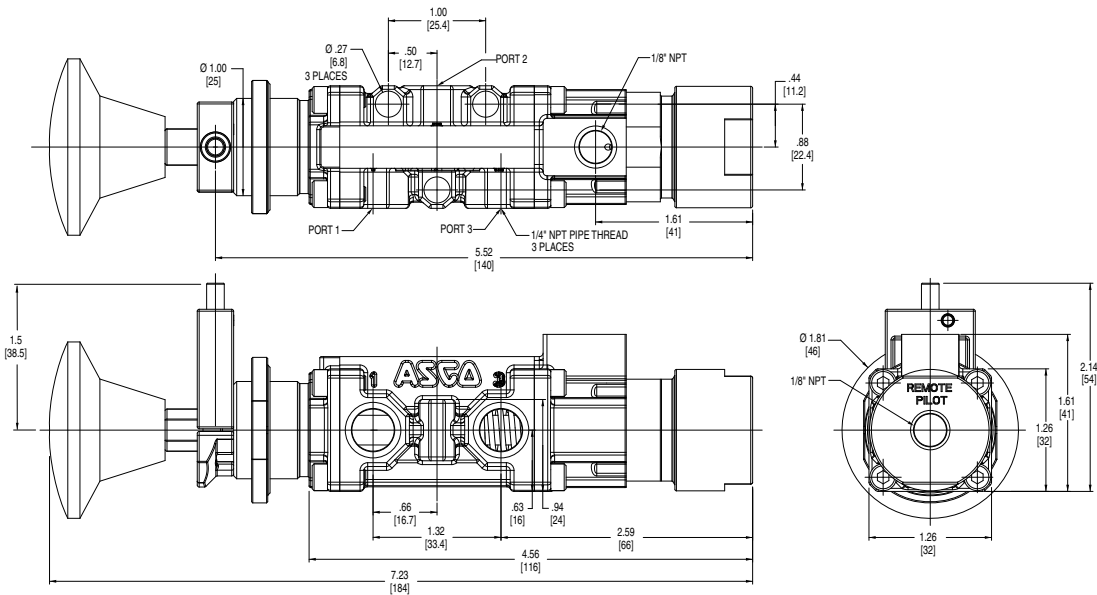
SPECIAL SERVICE
PILOT

Dimensions: inches (mm)

Const. Ref. 13



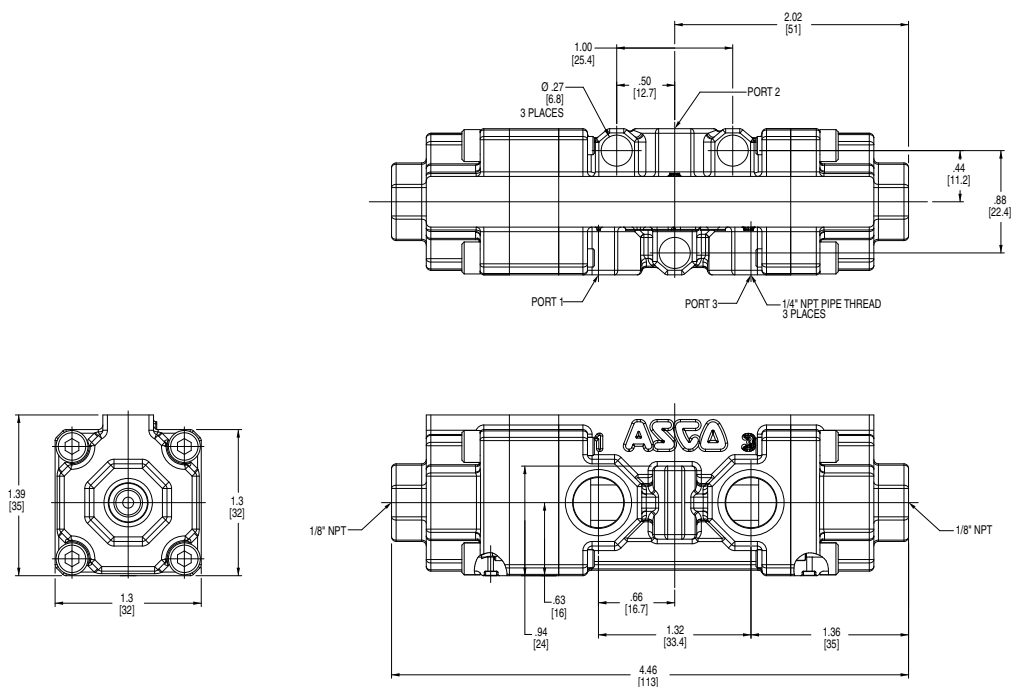
Const. Ref. 14



SPECIAL SERVICE
PILOT

Dimensions: inches (mm)

Const. Ref. 15



SPECIAL SERVICE
PILOT

SPECIAL SERVICE
PILOT