

Features

- 2-way normally closed and normally open operation
- For use with anhydrous and gaseous ammonia
- Pressures up to 410 psi
- UL and CSA agency approvals

Construction

Valve Parts in Contact with Fluids	
Body	Cast 304 Stainless Steel
Seals and Discs	Neoprene
Core Tube	305 Stainless Steel
Core and Plugnut	430F Stainless Steel
Springs	302 Stainless Steel
Shading Coil	Aluminum
Stem	PA (for normally open only)

Electrical

Standard Coil and Class of Insulation	Watt Rating and Power Consumption			Spare Coil Part No.	
	AC			General Purpose	Explosionproof
	Watts	VA Holding	VA Inrush	AC	AC
F	17.1	40	70	238610	238614

Standard Voltages: 24, 120, 240, 480 volts AC, 60 Hz (or 110, 220 volts AC, 50 Hz).
 Must be specified when ordering. Other voltages available when required.

Solenoid Enclosures

Standard: Watertight, Types 1, 2, 3, 3S, 4, and 4X.

Optional: Explosionproof and Watertight, Types 3, 3S, 4, 4X, 6, 6P, 7, and 9.
 (For normally closed construction only)

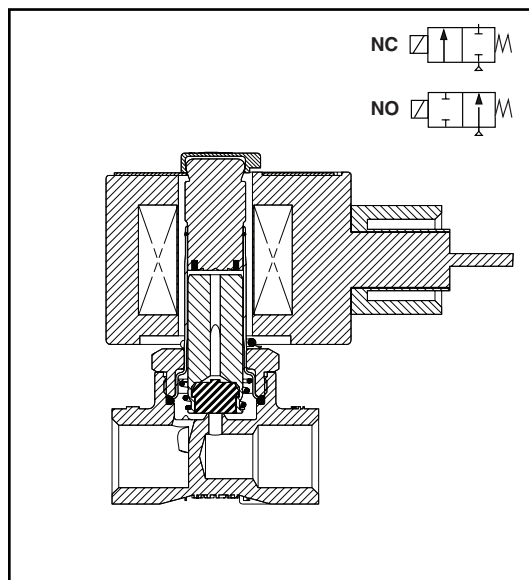
See *Optional Features Section* for other available options.

Options

Panel mount (prefix GP)

Mounting bracket (suffix MB)

Quarter-turn manual operator with screw slot (suffix MS)*
 (for normally closed construction only)



SPECIAL SERVICE VALVES

Nominal Ambient Temp. Ranges

Standard: 32°F to 131°F (0°C to 55°C)

Optional (for normally closed construction only):

For AC Class H coil option, the max. ambient temperature is 140°F (60°C) (prefix HB)

For explosionproof AC Class F coil option, the max. ambient temperature is 125°F (52°C) (Prefix EF or EV)

Refer to *Engineering Section* for details.

Approvals

CSA certified. UL listed. General Purpose valves.
 Meets applicable CE directives.

Refer to *Engineering Section* for details.

Specifications (English units)

Pipe Size (in)	Orifice Size (in)	Cv Flow Factor	Operating Pressure Differential (psi)		Max. Fluid Temp. °F	Catalog Number Stainless Steel	Const. Ref.	Watt Rating/ Class of Coil Insulation
			Min.	Max. AC				
Normally Closed ①								
1/8	3/32	0.21	0	410	167	8262H178NH	1	17.1/F
1/8	1/8	0.35	0	300	167	8262H174NH	1	17.1/F
1/4	3/32	0.21	0	410	167	8262H183NH	2	17.1/F
1/4	1/8	0.35	0	300	167	8262H185NH	2	17.1/F
1/4	5/32	0.52	0	200	167	8262H187NH	2	17.1/F
1/4	7/32	0.73	0	100	167	8262H188NH	2	17.1/F
1/4	9/32	0.88	0	65	167	8262H230NH	2	17.1/F
3/8	1/8	0.35	0	300	167	8263H191NH	3	17.1/F
3/8	5/32	0.52	0	185	167	8263H193NH	3	17.1/F
3/8	7/32	0.73	0	86	167	8263H332NH	3	17.1/F
3/8	9/32	0.88	0	63	167	8263H333NH	3	17.1/F
Normally Open ②								
1/8	3/32	0.21	0	230	167	8262H172NH	4	17.1/H
1/8	1/8	0.35	0	145	167	8262H173NH	4	17.1/H
1/4	3/32	0.21	0	230	167	8262H205NH	5	17.1/H
1/4	1/8	0.35	0	145	167	8262H219NH	5	17.1/H
1/4	5/32	0.54	0	90	167	8262H223NH	5	17.1/H
1/4	7/32	0.83	0	45	167	8262H224NH	5	17.1/H
1/4	9/32	0.96	0	30	167	8262H225NH	5	17.1/H
3/8	1/8	0.35	0	145	167	8263H104NH	6	17.1/H
3/8	5/32	0.54	0	90	167	8263H105NH	6	17.1/H
3/8	7/32	0.83	0	45	167	8263H106NH	6	17.1/H
3/8	9/32	0.96	0	30	167	8263H107NH	6	17.1/H

① Explosionproof coil only with F Class coil. ② Explosionproof coil not offered.

Specifications (Metric units)

Pipe Size (in)	Orifice Size (mm)	Kv Flow Factor (m³/hr)	Operating Pressure Differential (bar)		Max. Fluid Temp. °C	Catalog Number Stainless Steel	Const. Ref.	Watt Rating/ Class of Coil Insulation
			Min.	Max. AC				
Normally Closed ①								
1/8	2.4	0.18	0	28	75	8262H178NH	1	17.1/F
1/8	3.2	0.30	0	21	75	8262H174NH	1	17.1/F
1/4	2.4	0.18	0	28	75	8262H183NH	2	17.1/F
1/4	3.2	0.30	0	21	75	8262H185NH	2	17.1/F
1/4	4.0	0.45	0	14	75	8262H187NH	2	17.1/F
1/4	5.6	0.63	0	7	75	8262H188NH	2	17.1/F
1/4	7.1	0.76	0	4	75	8262H230NH	2	17.1/F
3/8	3.2	0.30	0	21	75	8263H191NH	3	17.1/F
3/8	4.0	0.45	0	13	75	8263H193NH	3	17.1/F
3/8	5.6	0.63	0	6	75	8263H332NH	3	17.1/F
3/8	7.1	0.76	0	4	75	8263H333NH	3	17.1/F
Normally Open ②								
1/8	2.4	0.18	0	16	75	8262H172NH	4	17.1/H
1/8	3.2	0.30	0	10	75	8262H173NH	4	17.1/H
1/4	2.4	0.18	0	16	75	8262H205NH	5	17.1/H
1/4	3.2	0.30	0	10	75	8262H219NH	5	17.1/H
1/4	4.0	0.47	0	6	75	8262H223NH	5	17.1/H
1/4	5.6	0.72	0	3	75	8262H224NH	5	17.1/H
1/4	7.1	0.83	0	2	75	8262H225NH	5	17.1/H
3/8	3.2	0.30	0	10	75	8263H104NH	6	17.1/H
3/8	4.0	0.47	0	6	75	8263H105NH	6	17.1/H
3/8	5.6	0.72	0	3	75	8263H106NH	6	17.1/H
3/8	7.1	0.83	0	2	75	8263H107NH	6	17.1/H

① Explosionproof coil only with F Class coil. ② Explosionproof coil not offered.

Dimensions: inches (mm)

Const. Ref.						
	H	K	L	P	W	
1	in	3.05	1.71	1.19	2.69	1.95
	mm	77	43	30	68	50
2	in	3.12	1.79	1.56	2.76	1.95
	mm	79	45	40	70	50
3	in	3.20	1.79	1.88	2.77	1.95
	mm	81	45	48	70	50
4	in	3.00	1.54	1.19	2.69	2.06
	mm	76	39	30	68	52
5	in	3.12	1.62	1.56	2.76	2.06
	mm	79	41	40	70	52
6	in	3.2	1.62	1.88	2.77	2.06
	mm	81	41	48	70	52

