

## Features

- 2-way normally closed operation
- For control of commercial and industrial gas burners
- Ideal for high pressure applications
- Stainless steel body construction
- Mountable in any position

## Fluid

Fuel Gas

## Construction

Valve Parts in Contact with Fluids	
Body	Stainless Steel (300 Series)
Seals and Disc	NBR
Core Tube	305 Stainless Steel
Core and Plugnut	430F Stainless Steel
Springs	302 Stainless Steel
Shading Coil	Silver

## Electrical

Standard Coil Class of Insulation	Watt Rating and Power Consumption			Ambient Temp. °F	Spare Coil Family	
	AC				General Purpose	Explosionproof
	Watts	VA Holding	VA Inrush		AC	AC
F	17.1	40	90	32 to 125	238610	238614
F	15.4	27	160	32 to 125	99257	-
F	16.1	35	180	32 to 125	272610	272614

**Standard Voltages:** 24, 120, 240 volts AC, 60 Hz (or 110, 220 volts AC, 50 Hz).

## Solenoid Enclosures

General Purpose, Type 1 metal enclosure with 7/8" hole for 1/2" conduit connector (HV266343-1).

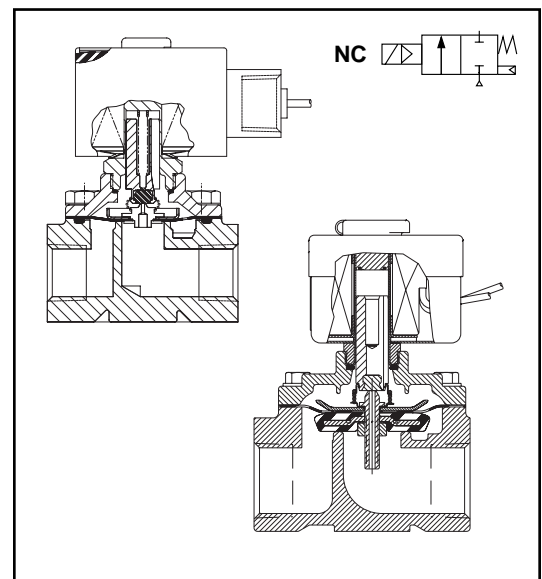
Watertight, Types 1, 2, 3, 3S, 4 & 4X molded epoxy enclosure with 1/2" conduit hub (HV266342-1, HV266342-2, HV266343-2).

Explosion & Watertight, Types 1, 2, 3, 3S, 4X, 7 & 9 molded epoxy enclosure with 1/2" conduit hub (HV266342-3, HV266342-4, HV266343-3).

## Valve Response Time

**Opening Time:** Less than 1 second

**Closing Time:** Less than 1 second



## Approvals

UL listed to:

- 1) Standard 429 "Electrically Operated Valves," Guide Y10Z, File MP618 Safety Valves.
- 2) Standard 429 "Electrically Operated Valves for use in Hazardous Locations" Guide YTSX, File E25549 Safety Valves.

CSA Certified to:

- 1) Standard C22.2 No. 139 "Electrically Operated Valves," File 010381. (HV266342-1, HV266342-2, HV266343-2)
- 2) Automatic Gas Safety Shutoff Valves C/I (3.9) File 112872. (HV266342-3, HV266342-4, HV266343-3)

**Specifications (English units)**

Pipe Size (ins.)	Orifice Size (ins.)	Cv Flow Factor	Gas Capacity ①		Operating Pressure Differential (psi)		Max. Fluid Temp. °F	Catalog Number	Const. Ref.	Agency			Wattage	Approx. Shipping Weight (lbs)
			Btu/hr.	Min.	Max.	UL				FM	CSA			
<b>COMBUSTION (Fuel Gas) - NORMALLY CLOSED</b>														
1/2	5/8	4.0	203,000	0	150	175	HV266342-1	1	○	-	○	17.1	3.5	
1/2	5/8	4.0	203,000	0	150	175	HV266342-3	1	○	-	○	17.1	3.5	
3/4	5/8	4.5	203,000	0	150	175	HV266342-2	1	○	-	○	17.1	3.5	
3/4	5/8	4.5	203,000	0	150	175	HV266342-4	1	○	-	○	17.1	3.5	
1	1	11.2	505,000	0	150	175	HV266343-1	2	○	-	○	15.4	8.8	
1	1	11.2	505,000	0	150	175	HV266343-2	3	○	-	○	16.1	8.8	
1	1	11.2	505,000	0	150	175	HV266343-3	3	○	-	○	16.1	8.8	

○ = Safety Shutoff Valve. ① 1" W.C. Drop @ 2" W.C. Inlet Pressure, 1,000 Btu/cu.ft. or more, 0.64 Specific Gravity Gas.

**Specifications (Metric units)**

Pipe Size (ins.)	Orifice Size (mm)	Kv Flow (m³/hr)	Gas Capacity ①		Operating Pressure Differential (bar)		Max. Fluid Temp. °C	Catalog Number	Const. Ref.	Agency			Wattage	Approx. Shipping Weight (kgs)
			Btu/hr.	Min.	Max.	UL				FM	CSA			
<b>COMBUSTION (Fuel Gas) - NORMALLY CLOSED</b>														
1/2	16	3.4	203,000	0	10.3	79	HV266342-1	1	○	-	○	17.1	1.6	
1/2	16	3.4	203,000	0	10.3	79	HV266342-3	1	○	-	○	17.1	1.6	
3/4	16	3.4	203,000	0	10.3	79	HV266342-2	1	○	-	○	17.1	1.6	
3/4	16	3.4	203,000	0	10.3	79	HV266342-4	1	○	-	○	17.1	1.6	
1	25	9.5	505,000	0	10.3	79	HV266343-1	2	○	-	○	15.4	4.0	
1	25	9.5	505,000	0	10.3	79	HV266343-2	3	○	-	○	16.1	4.0	
1	25	9.5	505,000	0	10.3	79	HV266343-3	3	○	-	○	16.1	4.0	

○ = Safety Shutoff Valve. ① 1" W.C. Drop @ 2" W.C. Inlet Pressure, 1,000 Btu/cu.ft. or more, 0.64 Specific Gravity Gas.

**Dimensions inches (mm)**

Const. Ref.		B	H	J	K	L	N	P	T	W
1	ins.	3.03	4.19	2.05	2.50	2.81	3.45	3.47	1.95	2.39
	mm	77	106	52	64	71	88	88	50	61
2	ins.	2.67	5.31	1.58	3.03	3.75	-	4.43	2.20	3.84
	mm	68	135	40	77	95	-	113	56	98
3	ins.	3.11	5.26	2.05	3.17	3.75	4.10	4.38	2.06	3.84
	mm	79	134	52	81	95	104	111	52	98

**Const. Ref. 1, 3**

**Const. Ref. 2**

**COMBUSTION**