

Features

- Ideal for remote applications where continuously powered devices can't be used, such as irrigation systems
- Pressures up to 2025 psi
- Brass and Stainless Steel constructions

Construction

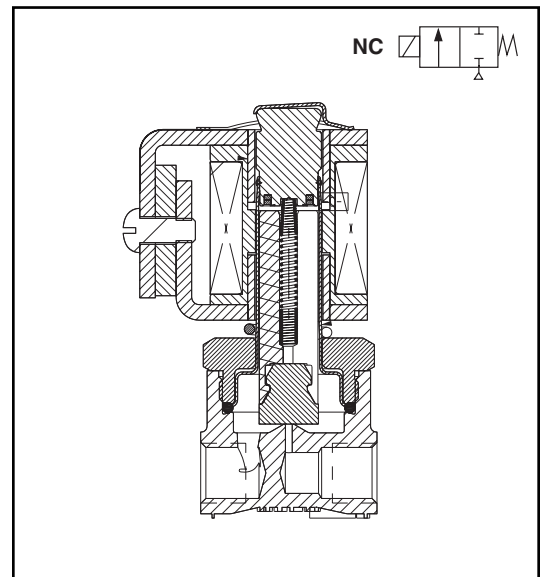
Valve Parts in Contact with Fluids		
Body	Brass	Cast 304 Stainless Steel
Seals and Discs	NBR / UR	
Core Tube	305 Stainless Steel	
Core and Plugnut	430F Stainless Steel	
Springs	Stainless Steel	
Shading Coil	Copper	Silver



Electrical

Standard Coil and Class of Insulation	Watt Rating and Power Consumption		Spare Coil Part No.
	DC		General Purpose
	Watts		DC
A	33.2		230725

Standard Voltages: 6, 12, 24 VDC. Must be specified when ordering.
Other voltages available when required.



Solenoid Enclosures

Standard: Open Frame

Options

Panel Mount (prefix GP)

Mounting bracket (suffix MB)

Silicone Free Service (suffix SF)

Elastomers: FKM (suffix V), EPDM (suffix E), Neoprene (suffix J), PTFE (suffix T)

Refer to Engineering Section for fluid and temperature compatibility.

Nominal Ambient Temp. Ranges

32°F to 104°F (-0°C to 40°C)

Refer to Engineering Section for details.

SPECIAL SERVICE VALVES

Specifications (English units)

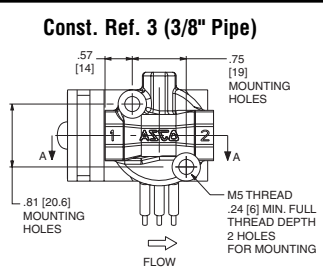
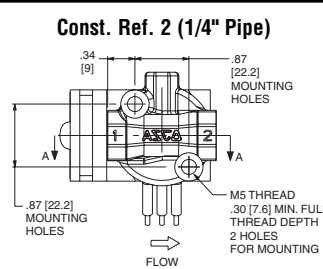
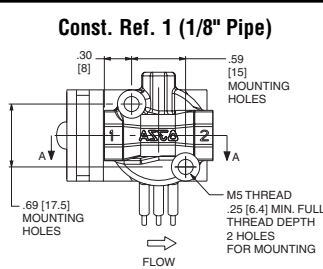
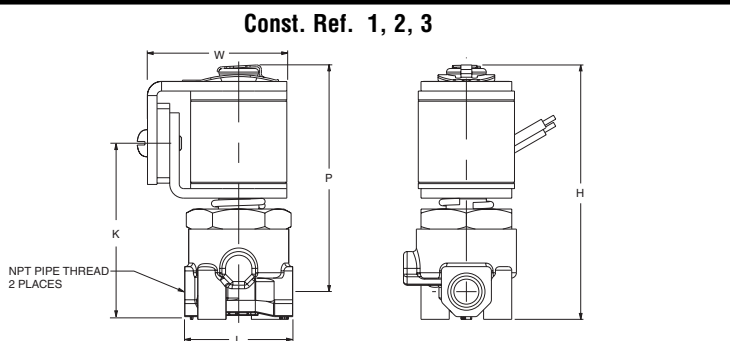
Pipe Size (in)	Orifice Size (in)	Cv Flow Factor	Operating Pressure Differential (psi)				Max. Fluid Temp. °F	Catalog Number		Const. Ref.	Watt Rating/ Class of Coil Insulation
			Min.	Max. DC				Brass	Stainless Steel		
				Air-Inert Gas	Water	Lt.Oil					
1/8	3/64	0.06	0	2025	1710	825	140	-	MU8262A619	1	33.2
1/8	3/64	0.06	0	1500	1350	825	140	MU8262A610	-	1	33.2
1/8	3/32	0.21	0	500	350	325	140	MU8262A611	MU8262A620	1	33.2
1/8	1/8	0.35	0	275	260	195	140	MU8262A612	MU8262A621	1	33.2
1/4	3/64	0.06	0	1500	1350	825	140	MU8262A613	MU8262A622	2	33.2
1/4	3/32	0.21	0	500	350	270	140	MU8262A614	MU8262A623	2	33.2
1/4	1/8	0.35	0	275	260	150	140	MU8262A615	MU8262A624	2	33.2
1/4	5/32	0.52	0	150	140	100	140	MU8262A616	MU8262A625	2	33.2
1/4	7/32	0.73	0	55	54	40	140	MU8262A617	MU8262A626	2	33.2
1/4	9/32	0.88	0	36	36	33	140	MU8262A618	MU8262A627	2	33.2
3/8	1/8	0.35	0	275	260	140	140	MU8263A615	MU8263A624	3	33.2
3/8	5/32	0.52	0	150	140	80	140	MU8263A616	MU8263A625	3	33.2
3/8	7/32	0.73	0	55	54	29	140	MU8263A617	MU8263A626	3	33.2
3/8	9/32	0.88	0	35	32	21	140	MU8263A618	MU8263A627	3	33.2

Specifications (Metric units)

Pipe Size (in)	Orifice Size (mm)	Kv Flow Factor (m³/h)	Operating Pressure Differential (bar)				Max. Fluid Temp. °C	Catalog Number		Const. Ref.	Watt Rating/ Class of Coil Insulation
			Min.	Max. DC				Brass	Stainless Steel		
				Air-Inert Gas	Water	Lt.Oil					
1/8	1.2	0.05	0	140	118	57	60	-	MU8262A619	1	33.2
1/8	1.2	0.05	0	103	93	57	60	MU8262A610	-	1	33.2
1/8	2.4	0.18	0	34	24	22	60	MU8262A611	MU8262A620	1	33.2
1/8	3.2	0.30	0	19	18	13	60	MU8262A612	MU8262A621	1	33.2
1/4	1.2	0.05	0	103	93	57	60	MU8262A613	MU8262A622	2	33.2
1/4	2.4	0.18	0	34	24	19	60	MU8262A614	MU8262A623	2	33.2
1/4	3.2	0.30	0	19	18	10	60	MU8262A615	MU8262A624	2	33.2
1/4	4.0	0.45	0	10	10	7	60	MU8262A616	MU8262A625	2	33.2
1/4	5.6	0.73	0	4	4	3	60	MU8262A617	MU8262A626	2	33.2
1/4	7.1	0.88	0	2	2	2	60	MU8262A618	MU8262A627	2	33.2
3/8	3.2	0.30	0	19	18	10	60	MU8263A615	MU8263A624	3	33.2
3/8	4.0	0.45	0	10	10	6	60	MU8263A616	MU8263A625	3	33.2
3/8	5.6	0.73	0	4	4	2	60	MU8263A617	MU8263A626	3	33.2
3/8	7.1	0.88	0	2	2	1	60	MU8263A618	MU8263A627	3	33.2

Dimensions: inches (mm)

Const. Ref.		H	K	L	P	W
1	in	2.80	1.94	1.19	2.50	1.71
	mm	71	49	30	63	43
2	in	2.94	2.08	1.56	2.58	1.90
	mm	75	53	40	66	48
3	in	3.01	2.15	1.88	2.58	2.06
	mm	76	55	48	66	52



Note: Mounting holes will accept a standard #10-32 machine screw.

SPECIAL SERVICE VALVES