

Features

- Ideal for remote applications where continuously powered devices are not preferred, such as gas well equipment.
- Pressures up to 125 psi
- Stainless steel constructions

Operation

- 3 wire magnetic latching configuration
- In the latched position, when supply voltage is momentarily applied to coil 1, pressure port is connected to the cylinder port and the exhaust port is closed.
- In the unlatched position, when supply voltage is momentarily applied to coil 2, cylinder port is connected to the exhaust port and the pressure port is closed.

Fluid

Fuel Gas

Construction

Valve Parts in Contact with Fluids	
Body	303 Stainless Steel
Seals and Discs	Acetal, NBR
Core Tube	305 Stainless Steel
Core and Plugnut	430F Stainless Steel
Springs	Stainless Steel
Shading Coil	Silver

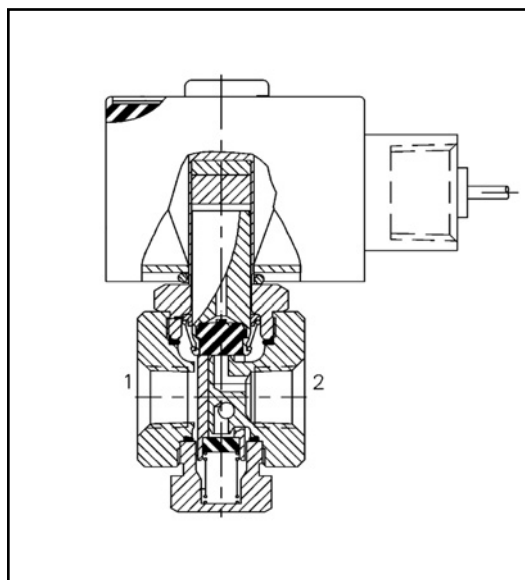
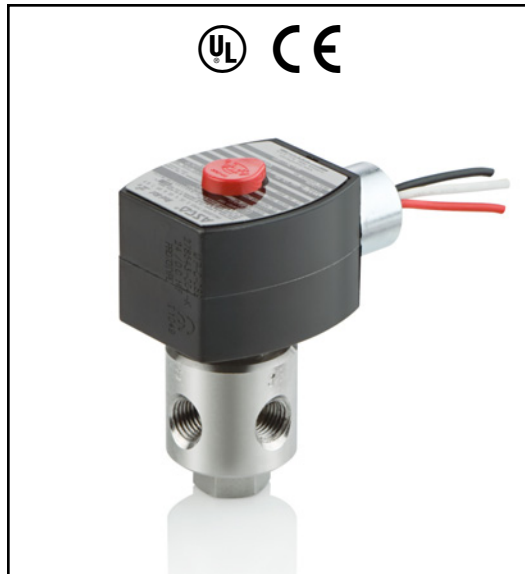
Electrical

Standard Coil and Class of Insulation	Watt Rating and Power Consumption	Spare Coil Part Number	Spare Coil Part Number
	Watts	24/DC	12/DC
F	14.2	278543-004-K*	278543-002-K*

Standard Voltages: 12 & 24 VDC. Must be specified when ordering.

Solenoid Enclosures

Standard: Explosion proof and Watertight, Types 3, 3S, 4, 4X, 6, 6P, 7, and 9.



Nominal Ambient Temp. Ranges

-25°F to 110°F (-31°C to 43°C)

Approvals

Solenoid Only:

UL listed.

Meets applicable CE directives.

Specifications (English units)

Pipe Size (ins.)	Orifice Size (ins.)	Cv Flow Factor	Operating Pressure Differential (psi)		Max. Fluid Temp. °F	Catalog Number	Const. Ref.	Watt Rating/ Class of Coil Insulation
			Min.	Max				
1/4	0.08	0.20	0	125	120	HV428342001 12/DC	1	14.2/F
1/4	0.08	0.20	0	125	120	HV428342002 24/DC	1	14.2/F

Specifications (Metric units)

Pipe Size (ins.)	Orifice Size (mm)	Kv Flow Factor (m³/h)	Operating Pressure Differential (bar)		Max. Fluid Temp. °C	Catalog Number	Const. Ref.	Watt Rating/ Class of Coil Insulation
			Min.	Max				
1/4	2.0	0.17	0	8.6	48	HV428342001 12/DC	1	14.2/F
1/4	2.0	0.17	0	8.6	48	HV428342002 24/DC	1	14.2/F

Dimensions: inches (mm)

