

Features

- 2-way normally closed operation
- Die-cast aluminum bodies
- Zero differential piloted diaphragm
- For on-off control of fuel gas in commercial and industrial gas burners
- Valves provided with pipe tap(s) with plug for routine testing
- Suitable for ambient temperatures up to 175°F

Fluid

Fuel Gas

Construction

| Valve Parts in Contact with Fluids | |
|------------------------------------|----------------------|
| Body | Aluminum |
| Seals and Disc | NBR |
| Washer | 302 Stainless Steel |
| Core Tube | 305 Stainless Steel |
| Core and Plugnut | 430F Stainless Steel |
| Core Guide | CA |
| Springs | 302F Stainless Steel |
| Shading Coil | Copper |
| Body Gasket | Cork |
| Pipe Plug | Zinc-Plated Steel |

Electrical

| Standard Coil and Class of Insulation | Watt Rating and Power Consumption | | | Ambient Temp. °F | Spare Coil Family | |
|---------------------------------------|-----------------------------------|------------|-----------|------------------|-------------------|----------------|
| | AC | | | | General Purpose | Explosionproof |
| | Watts | VA Holding | VA Inrush | | AC | AC |
| N | 20 | 43 | 240 | -20 to 175 | 222345 | - |

Standard Voltages: 24, 120, 240 volts AC, 60 Hz

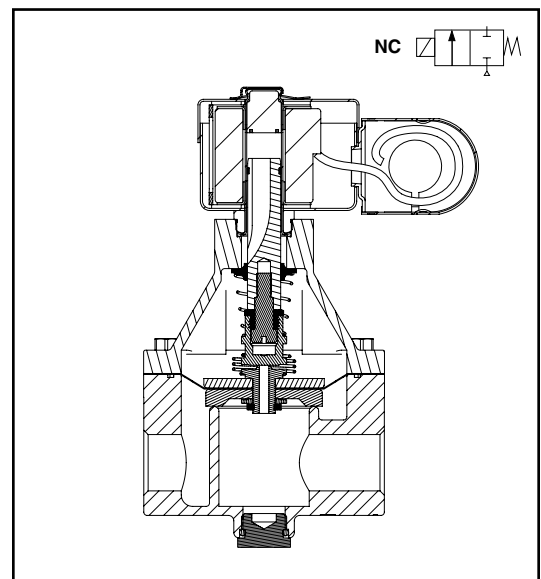
Solenoid Enclosures

Standard: Type 1 General Purpose Junction Box housing with two 7/8" knockouts.

Valve Response Time

Opening Time: Less than 1 second

Closing Time: Less than 1 second



Approvals

UL listed to standard 429 "Electrically Operated Valves," Guide Y10Z, File MP932 Safety Valves.

FM Approved to Class 7400 "Liquid and Gas Safety Shutoff Valves" (3/8" thru 3/4" only).

CSA Certified to:

- 1) Standard C22.2 No. 139 "Electrically Operated Valves," File 113070.
- 2) Automatic Gas Valves Z21.21 (6.5), File 109157 and 113070.
- 2) Automatic Gas Safety Shutoff Valves C/I (3.9), File 113070.

Specifications (English units)

| Pipe Size (in) | Orifice Size (in) | Cv Flow Factor | Gas Capacity ① Btu/hr. | Operating Pressure Differential (psi) | | Max. Fluid Temp. °F | Catalog Number | | | Const. Ref. | Agency | | | Wattage | Approx. Shipping Weight (lbs) |
|--|-------------------|----------------|---------------------------|---------------------------------------|------|---------------------|----------------|---------------|---------------|-------------|--------|----|-----|---------|-------------------------------|
| | | | | Min. | Max. | | 24V 60 Hz | 120V 60 Hz | 240V 60 Hz | | UL | FM | CSA | | |
| COMBUSTION (Fuel Gas) - NORMALLY CLOSED | | | | | | | | | | | | | | | |
| 3/8 | 3/4 | 5.3 | 217,000 | 0 | 30 | 77 | S261SG01N3CG5 | S261SG02N3CG5 | S261SG04N3CG5 | 1 | ○ | ○ | ○ | 20 | 3.0 |
| 1/2 | 3/4 | 6.2 | 322,000 | 0 | 30 | 77 | S261SG01N3DG5 | S261SG02N3DG5 | S261SG04N3DG5 | 1 | ○ | ○ | ○ | 20 | 3.2 |
| 3/4 | 3/4 | 8 | 370,000 | 0 | 30 | 77 | S261SG01N3EG5 | S261SG02N3EG5 | S261SG04N3EG5 | 1 | ○ | ○ | ○ | 20 | 3.3 |
| 1 | 1 1/2 | 18 | 1,120,000 | 0 | 25 | 77 | S261SG01N3FJ5 | S261SG02N3FJ5 | S261SG04N3FJ5 | 2 | ○ | - | ○ | 20 | 4.4 |
| 1 1/4 | 2 | 34 | 1,710,000 | 0 | 25 | 77 | S261SG01N3GJ7 | S261SG02N3GJ7 | S261SG04N3GJ7 | 3 | ○ | - | ○ | 20 | 4.4 |
| 1 1/2 | 2 | 37 | 1,790,000 | 0 | 25 | 77 | S261SG01N3HJ7 | S261SG02N3HJ7 | S261SG04N3HJ7 | 3 | ○ | - | ○ | 20 | 12.5 |
| 2 | 4 1/2 | 80 | 4,180,000 | 0 | 25 | 77 | S261SG01N3JK4 | S261SG02N3JK4 | S261SG04N3JK4 | 4 | ○ | - | ○ | 20 | 12.5 |
| 2 1/2 | 4 1/2 | 110 | 5,700,000 | 0 | 25 | 77 | S261SG01N3KK4 | S261SG02N3KK4 | S261SG04N3KK4 | 5 | ○ | - | ○ | 20 | 14.2 |
| 3 | 4 1/2 | 135 | 7,100,000 | 0 | 25 | 77 | S261SG01N3LK4 | S261SG02N3LK4 | S261SG04N3LK4 | 5 | ○ | - | ○ | 20 | 14.2 |

○ = Safety Shutoff Valve. ① 1" W.C. Drop @ 2" W.C. Inlet Pressure, 1,000 Btu/cu.ft. or more, 0.64 Specific Gravity Gas.

Specifications (Metric units)

| Pipe Size (in) | Orifice Size (mm) | Kv Flow (m³/hr) | Gas Capacity ① Btu/hr. | Operating Pressure Differential (bar) | | Max. Fluid Temp. °C | Catalog Number | | | Const. Ref. | Agency | | | Wattage | Approx. Shipping Weight (kgs) |
|--|-------------------|-----------------|---------------------------|---------------------------------------|------|---------------------|----------------|---------------|---------------|-------------|--------|----|-----|---------|-------------------------------|
| | | | | Min. | Max. | | 24V 60 Hz | 120V 60 Hz | 240V 60 Hz | | UL | FM | CSA | | |
| COMBUSTION (Fuel Gas) - NORMALLY CLOSED | | | | | | | | | | | | | | | |
| 3/8 | 19 | 4.5 | 217,000 | 0 | 2.1 | 25 | S261SG01N3CG5 | S261SG02N3CG5 | S261SG04N3CG5 | 1 | ○ | ○ | ○ | 20 | 1.4 |
| 1/2 | 19 | 5.3 | 322,000 | 0 | 2.1 | 25 | S261SG01N3DG5 | S261SG02N3DG5 | S261SG04N3DG5 | 1 | ○ | ○ | ○ | 20 | 1.5 |
| 3/4 | 19 | 6.8 | 370,000 | 0 | 2.1 | 25 | S261SG01N3EG5 | S261SG02N3EG5 | S261SG04N3EG5 | 1 | ○ | ○ | ○ | 20 | 1.5 |
| 1 | 38 | 15.3 | 1,120,000 | 0 | 1.7 | 25 | S261SG01N3FJ5 | S261SG02N3FJ5 | S261SG04N3FJ5 | 2 | ○ | - | ○ | 20 | 2.0 |
| 1 1/4 | 51 | 28.9 | 1,710,000 | 0 | 1.7 | 25 | S261SG01N3GJ7 | S261SG02N3GJ7 | S261SG04N3GJ7 | 3 | ○ | - | ○ | 20 | 2.0 |
| 1 1/2 | 51 | 31.5 | 1,790,000 | 0 | 1.7 | 25 | S261SG01N3HJ7 | S261SG02N3HJ7 | S261SG04N3HJ7 | 3 | ○ | - | ○ | 20 | 5.7 |
| 2 | 114 | 68.0 | 4,180,000 | 0 | 1.7 | 25 | S261SG01N3JK4 | S261SG02N3JK4 | S261SG04N3JK4 | 4 | ○ | - | ○ | 20 | 5.7 |
| 2 1/2 | 114 | 93.5 | 5,700,000 | 0 | 1.7 | 25 | S261SG01N3KK4 | S261SG02N3KK4 | S261SG04N3KK4 | 5 | ○ | - | ○ | 20 | 6.5 |
| 3 | 114 | 114.5 | 7,100,000 | 0 | 1.7 | 25 | S261SG01N3LK4 | S261SG02N3LK4 | S261SG04N3LK4 | 5 | ○ | - | ○ | 20 | 6.5 |

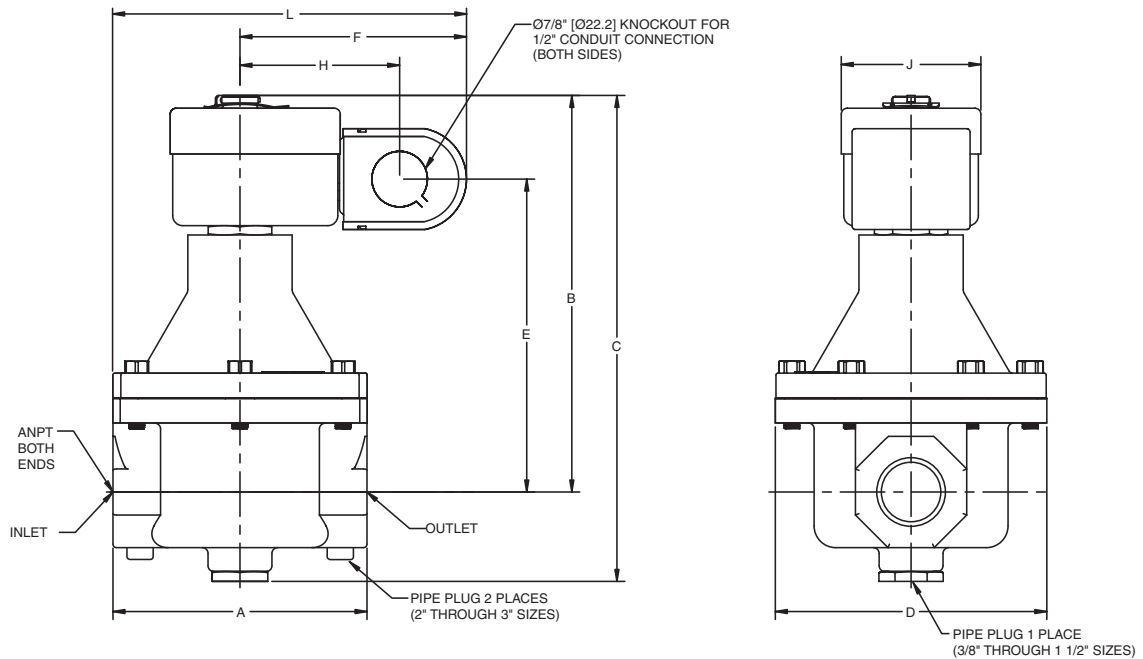
○ = Safety Shutoff Valve. ① 1" W.C. Drop @ 2" W.C. Inlet Pressure, 1,000 Btu/cu.ft. or more, 0.64 Specific Gravity Gas.

COMBUSTION

Dimensions inches (mm)

| Const. Ref. | | A | B | C | D | E | F | H | J | L |
|-------------|----|------|------|-------|------|------|------|------|------|------|
| 1 | in | 2.75 | 5.48 | 6.54 | 2.31 | 4.07 | 3.53 | 2.50 | 2.19 | 4.90 |
| | mm | 70 | 139 | 166 | 59 | 103 | 90 | 64 | 56 | 124 |
| 2 | in | 4.00 | 6.35 | 7.60 | 4.27 | 4.94 | 3.53 | 2.50 | 2.19 | 5.53 |
| | mm | 102 | 161 | 193 | 108 | 125 | 90 | 64 | 56 | 140 |
| 3 | in | 4.76 | 6.73 | 8.35 | 4.77 | 5.32 | 3.53 | 2.50 | 2.19 | 5.91 |
| | mm | 121 | 171 | 212 | 121 | 135 | 90 | 64 | 56 | 150 |
| 4 | in | 8.12 | 7.20 | 9.57 | 7.69 | 5.85 | 3.53 | 2.50 | 2.19 | 7.59 |
| | mm | 206 | 183 | 243 | 195 | 149 | 90 | 64 | 56 | 193 |
| 5 | in | 9.00 | 8.06 | 10.62 | 7.69 | 6.65 | 3.53 | 2.50 | 2.19 | 8.03 |
| | mm | 229 | 205 | 270 | 195 | 169 | 90 | 64 | 56 | 204 |

Const. Ref. 1 - 5



Valves up to 1 1/2" NPT must be mounted with solenoid vertical and upright or in a horizontal position.
Valves larger than 1 1/2" NPT must be mounted with solenoid vertical and upright.

