

Features

- Designed to isolate corrosive fluids from solenoid parts
- Only the isolating part, seals, and body are in contact with fluids
- No minimum operating pressure required
- Variety of body materials and process connections
- Many other constructions (not shown here) are available in a wide range of sizes

Construction

Valve Parts in Contact with Fluids		
	8260	8030
Body	CA, PP	Brass/Stainless Steel
Diaphragm/Disc	EPDM, FKM	PTFE
Seals	-	FKM

Electrical

Standard Coil and Class of Insulation	Watt Rating and Power Consumption AC				Spare Coil Part No	
	DC Watts	AC			General Purpose	
		Watts	VA Holding	VA Inrush	AC	DC
F	10.6	6.1	16	30	238210	238310
H	-	20	43	135	222345	-

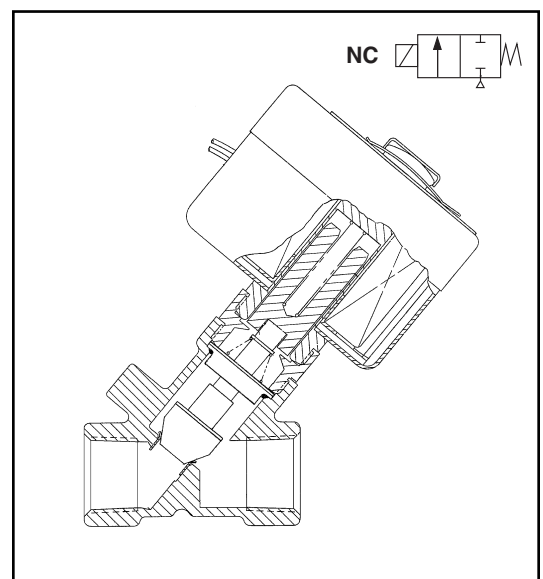
Standard Voltages: 24, 120, 240, 480 volts AC, 60 Hz (or 110, 220 volts AC, 50 Hz).
6, 12, 24, 120, 240 volts DC. Must be specified when ordering.
Other voltages available when required.

Solenoid Enclosures

Standard: RedHat II Watertight, Types 1, 2, 3, 3S, 4, and 4X; RedHat Type 1.

Optional: Open Frame Solenoid, Junction Box enclosure, and Panel Mount Constructions.

See *Optional Features Section* for descriptions on these and other available options.



SPECIAL SERVICE VALVES

Nominal Ambient Temp. Ranges

RedHat II: AC: 32°F to 125°F (0°C to 52°C)

DC: 32°F to 104°F (0°C to 40°C)

RedHat: AC: 32°F to 77°F (0°C to 25°C)

(104°F/40°C occasionally)

Refer to *Engineering Section* for details.

Approvals

CSA certified. UL listed as indicated.

Meets applicable CE directives.

Refer to *Engineering Section* for details.

Specifications (English units)

Body Material	Diaphragm/Disc	Seals	Typical Applications	Pipe Size (in)	Orifice Size (in)	Cv Flow Factor	Max. Operating Pressure (psi)		Max. Fluid Temp. °F		Catalog Number	Const. Ref.	UL Listing	Watt Rating/Class of Coil Insulation ④	
							AC	DC	AC	DC				AC	DC
CA	EPDM	-	Demineralized and Distilled Water, Sea Water	Bib for 1/4" I.D. Flexible Tubing or Hose	9/64	.35	6	6	130	120	D8260G054E	4	-	6.1/F	10.6/F
				1/4" O.D. Compression ①	9/64	.35	6	6	130	120	D8260G071E	3	-	6.1/F	10.6/F
PP	EPDM	-	Photo Solution, 20% Max. Concentration Hydrochloric Acid	Bib for 1/4" I.D. Flexible Tubing or Hose	9/64	.35	6	6	130	120	D8260G053E	4	-	6.1/F	10.6/F
					3/16	.53	6	6	130	120	D8260G056E	4	②	6.1/F	10.6/F
PP	FKM	-	95% Max. Concentration Phosphoric Acid 60% Max. Concentration Sulphuric Acid	Bib for 1/4" I.D. Flexible Tubing or Hose	9/64	.35	6	6	130	120	D8260G053V	4	-	6.1/F	10.6/F
					3/16	.53	6	6	130	120	D8260G056V	4	-	6.1/F	10.6/F
Brass (w/S.S. Seat)	PTFE	FKM	Hot Water, Steam Boiler Blowdown, Steam Cookers, Hot Cooking Oil, Deep Fat Cookers	3/8	3/8	1.8	15 ③	-	250	-	D8030 084	1	⑤	20/H	-
				1/2	3/8	2.2	15 ③	-	250	-	D8030 085	1	⑤	20/H	-
				3/4	3/8	2.2	15 ③	-	250	-	D8030 086	2	⑤	20/H	-
18-8 S.S.	PTFE	FKM	Hot Water, Steam Boiler Blowdown, Steam Cookers, Hot Cooking Oil, Deep Fat Cookers	1/2	3/8	2.2	15 ③	-	250	-	D8030 095	1	⑤	20/H	-

① Fittings not supplied with valve; refer to List Price Schedule. ② On 50 hz service, the rating for the 6.1/F solenoid is 8.1 watts.
③ UL recognized component – AC only. ④ General Purpose Valves.
⑤ Valves are suitable for closing at zero pressure differential.

Specifications (Metric units)

Body Material	Diaphragm/Disc	Seals	Typical Applications	Pipe Size (in)	Orifice Size (mm)	Kv Flow Factor (m³/h)	Max. Operating Pressure (bar)		Max. Fluid Temp. °C		Catalog Number	Const. Ref.	UL Listing	Watt Rating/Class of Coil Insulation ④	
							AC	DC	AC	DC				AC	DC
CA	EPDM	-	Demineralized and Distilled Water, Sea Water	Bib for 1/4" I.D. Flexible Tubing or Hose	4	.30	0.4	0.4	54	48.8	D8260G054E	4	-	6.1/F	10.6/F
				1/4" O.D. Compression ①	4	.30	0.4	0.4	54	48.8	D8260G071E	3	-	6.1/F	10.6/F
PP	EPDM	-	Photo Solution, 20% Max. Concentration Hydrochloric Acid	Bib for 1/4" I.D. Flexible Tubing or Hose	4	.30	0.4	0.4	54	48.8	D8260G053E	4	-	6.1/F	10.6/F
					5	.45	0.4	0.4	54	48.8	D8260G056E	4	②	6.1/F	10.6/F
PP	FKM	-	95% Max. Concentration Phosphoric Acid 60% Max. Concentration Sulphuric Acid	Bib for 1/4" I.D. Flexible Tubing or Hose	4	.30	0.4	0.4	54	48.8	D8260G053V	4	-	6.1/F	10.6/F
					5	.45	0.4	0.4	54	48.8	D8260G056V	4	-	6.1/F	10.6/F
Brass (w/S.S. Seat)	PTFE	FKM	Hot Water, Steam Boiler Blowdown, Steam Cookers, Hot Cooking Oil, Deep Fat Cookers	3/8	10	1.54	1 ③	-	120	-	D8030 084	1	⑤	20/H	-
				1/2	10	1.89	1 ③	-	120	-	D8030 085	1	⑤	20/H	-
				3/4	10	1.89	1 ③	-	120	-	D8030 086	2	⑤	20/H	-
18-8 S.S.	PTFE	FKM	Hot Water, Steam Boiler Blowdown, Steam Cookers, Hot Cooking Oil, Deep Fat Cookers	1/2	10	1.89	1 ③	-	120	-	D8030 095	1	⑤	20/H	-

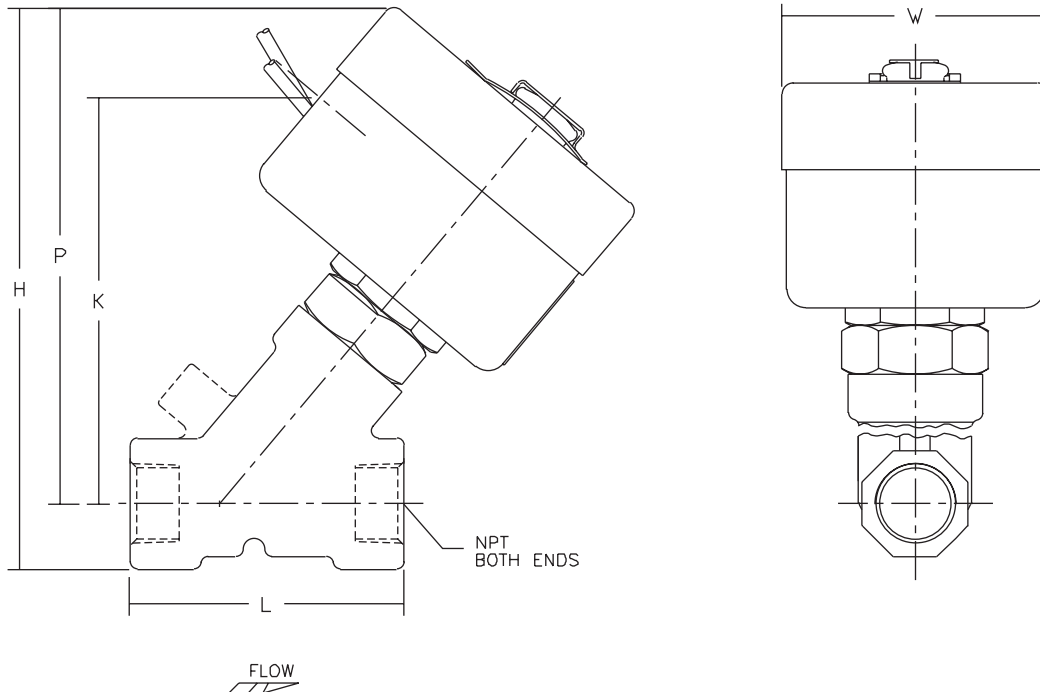
① Fittings not supplied with valve; refer to List Price Schedule. ② On 50 hz service, the rating for the 6.1/F solenoid is 8.1 watts.
③ UL recognized component – AC only. ④ General Purpose Valves.
⑤ Valves are suitable for closing at zero pressure differential.

SPECIAL SERVICE VALVES

Dimensions inches (mm)

Const. Ref.		H	K	L	P	W
1	in	4.68	3.25	2.28	4.13	2.22
	mm	119	83	58	105	56
2	in	4.81	3.25	2.75	4.13	2.22
	mm	122	83	70	105	56
3	in	3.05	1.63	2.44	2.49	1.94
	mm	77	41	62	63	49
4	in	3.05	1.63	2.19	2.49	1.94
	mm	77	41	56	63	49

Const. Ref. 1, 2

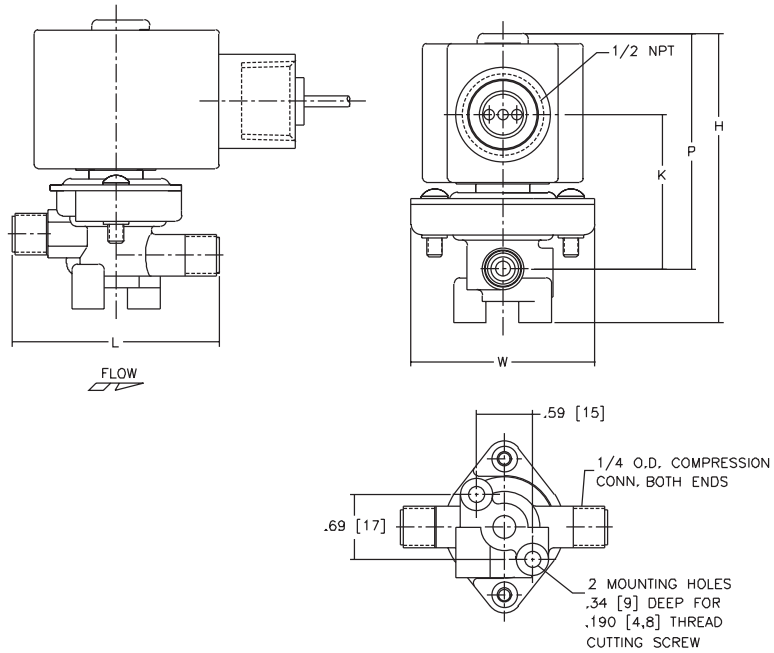


Const. Ref. 1 & 2 must be mounted with solenoid vertical and upright.

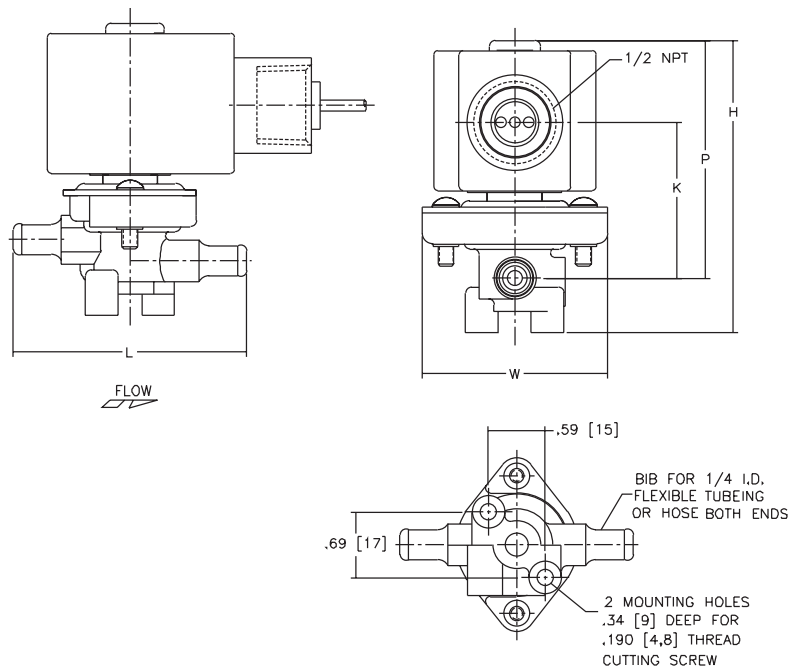
SPECIAL
SERVICE VALVES

Dimensions inches (mm)

Const. Ref. 3



Const. Ref. 4



SPECIAL SERVICE VALVES