

### Features

- Eliminates welding in through-the-wall installations
- Normally used with ASCO pulse valves having integral compression fittings
- Top loading-type dust collectors require installation and removal of collector bags or cartridges from the top of the housing, above the blow tubes

### Installation

Fittings are installed through the dust collector wall, gasketed in place, and secured with a retaining ring. Compression nut, retainer, and pipe seal are then installed on the pipe, making certain the beveled edge of the seal faces the connector body. The pipe assembly then slides into the connector body and the nut is firmly hand tightened.



### Nominal Ambient Temp. Ranges

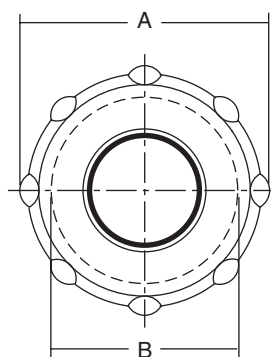
-4°F to 266°F (-20°C to 130°C)

**Note:** The rubber seal, retainer, and nut provide pressure sealing around the pipes. Inlet and blow pipes must be secured to prevent movement.

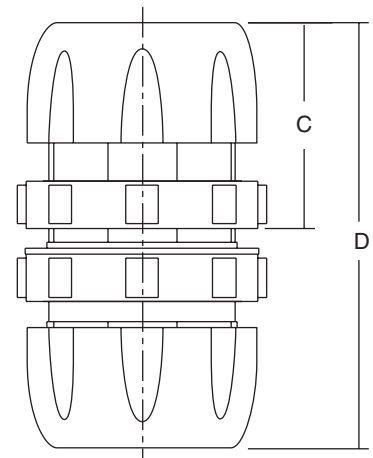
### Dimensions inches (mm)

Connector Size		3/4"	1"	1-1/2"
A	in	2.56	3.03	3.50
	mm	65	77	89
B	in	1.85	2.28	2.72
	mm	47	58	69
C	in	2.44	2.52	2.56
	mm	62	64	65
D	in	4.57	4.80	4.72
	mm	116	122	120

Pipe Size (in)	Top Loading Kit Number
3/4"	266015
1"	266017
1-1/2"	266019



MOUNTING HOLE



SPECIAL SERVICE VALVES

