

FEATURES

- Compact valve intended for single-acting actuator control
- Epoxy moulded coil for general service applications
- Coils interchangeable without dismantling the valve
- Valves do not require a minimum operating pressure
- The solenoid valves satisfy all relevant EC directives

GENERAL

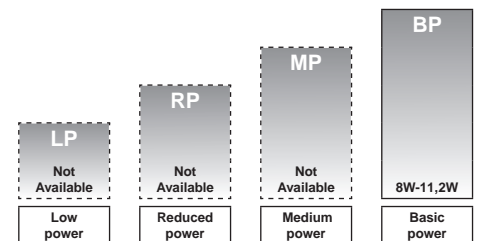
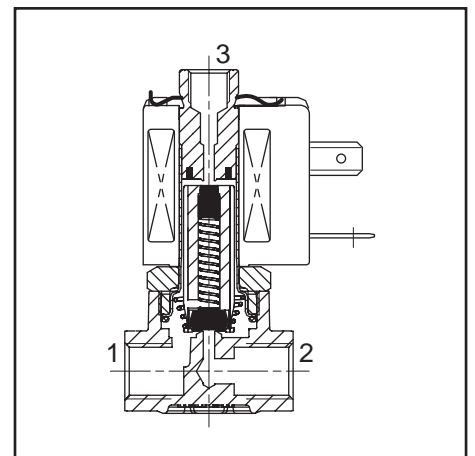
Differential pressure See "SPECIFICATIONS" [1 bar =100 kPa]
Maximum viscosity 40 cSt (mm²/s)
Response time 8 - 20 ms

fluids (*)	temperature range (TS)	seal materials (*)
water, air, inert gas, oil	- 25°C to + 80°C	NBR (nitrile)

MATERIALS IN CONTACT WITH FLUID

(*) Ensure that the compatibility of the fluids in contact with the materials is verified

Body	Brass or AISI 316L (1.4404)
Internal parts, springs	Stainless steel
Seat	Brass and stainless steel
Seals	NBR
Core guide	CA
Shading coil	Copper



POWER LEVELS - cold electrical holding values (watt)

SPECIFICATIONS

pipe size	orifice size	flow coefficient Kv				operating pressure differential (bar)				power level BP	prefix optional solenoids					basic catalogue number			
		2 → 1		1 → 3		min.	max. (PS)				ATEX / IECEx				IP65	brass	stainless st.		
		(m ³ /h)	(l/min)	(m ³ /h)	(l/min)		air/water/oil (*)	~	=		~	=	Ex d	Ex emb				Ex mb	-
(*)	(mm)	(m ³ /h)	(l/min)	(m ³ /h)	(l/min)														
NC - Normally closed																			
1/4	2,0	0,11	1,8	0,15	2,5	0	16	-	8	-	-	-	-	-	-	●	❖374A001	❖374A031	
1/4	2,0	0,11	1,8	0,15	2,5	0	-	8	-	10,8	-	-	-	-	-	●	❖374A061	❖374A070	
1/4	2,0	0,11	1,8	0,15	2,5	0	16	16	10,5	11,2	●	●	●	-	-	●	❖374A016	❖374A046	
1/4	2,7	0,22	3,6	0,15	2,5	0	10	-	8	-	-	-	-	-	-	●	❖374A002	❖374A032	
1/4	2,7	0,22	3,6	0,15	2,5	0	-	5	-	10,8	-	-	-	-	-	●	❖374A062	❖374A071	
1/4	2,7	0,22	3,6	0,15	2,5	0	10	10	10,5	11,2	●	●	●	-	-	●	❖374A017	❖374A047	
1/4	3,8	0,32	5,3	0,15	2,5	0	5	-	8	-	-	-	-	-	-	●	❖374A003	❖374A033	
1/4	3,8	0,32	5,3	0,15	2,5	0	-	2	-	10,8	-	-	-	-	-	●	❖374A063	❖374A072	
1/4	3,8	0,32	5,3	0,15	2,5	0	5	5	10,5	11,2	●	●	●	-	-	●	❖374A018	❖374A048	

❖ Select B for NPT ANSI 1.20.3 or select E for ISO (228/1 and ISO 7/1) ● Available feature - Not available

All leaflets are available on: www.asconumatics.eu

SPECIFICATIONS

pipe size	orifice size	flow coefficient Kv				operating pressure differential (bar)				power level BP		prefix optional solenoids					basic catalogue number		
		2 → 1		1 → 3		min.	max. (PS)					ATEX / IECEx			IP65				
		(m³/h)	(l/min)	(m³/h)	(l/min)		air (*)	water/oil (*)	Ex d	Ex emb	Ex mb	-	SC	brass		stainless st.			
(*)	(mm)	(m³/h)	(l/min)	(m³/h)	(l/min)		~	=	~	=	~	=	NK	EM	PV	-	SC	brass	stainless st.
U - Universal																			
1/4	2,7	0,22	3,6	0,15	2,5	0	8	-	4	-	8	-	-	-	-	-	●	❖374A012	❖374A042
1/4	2,7	0,22	3,6	0,15	2,5	0	8	4	4	4	10,5	11,2	-	●	-	-	●	❖374A027	❖374A057
1/4	3,8	0,32	5,3	0,15	2,5	0	4	-	4	-	8	-	-	-	-	-	●	❖374A013	❖374A043
1/4	3,8	0,32	5,3	0,15	2,5	0	4	2	4	2	10,5	11,2	●	●	●	-	●	❖374A028	❖374A058
NO - Normally open																			
1/4	2,5	0,22	3,6	0,15	2,5	0	10	-	10	-	8	-	-	-	-	-	●	❖374A007	❖374A037
1/4	2,5	0,22	3,6	0,15	2,5	0	10	10	10	10	10,5	11,2	●	●	●	-	●	❖374A022	❖374A052

PREFIX TABLE

prefix							description	power level			
1	2	3	4	5	6	7		LP	RP	MP	BP
E	M						Waterproof IP67 - Metal enclosure (EN/IEC 60079-7+18, 61241-1)*	-	-	-	● ⁽¹⁾
		E	T				Threaded conduit/hole (M20 x 1,5)	-	-	-	● ⁽¹⁾
N	K						Flameproof - Aluminium (EN/IEC 60079-1, 61241-1)*	-	-	-	● ⁽¹⁾
P	V						Encapsulated epoxy moulded (EN/IEC 60079-18, 61241-18)*	-	-	-	● ⁽¹⁾
S	C						Solenoid with spade plug connector (EN/IEC 60730)	-	-	-	● ⁽¹⁾
W	P						Waterproof IP67 - Metal enclosure	-	-	-	● ⁽¹⁾
W	S						Waterproof IP67 - 316 SS enclosure	-	-	-	● ⁽¹⁾
W	S	E	M				Waterproof IP67 - 316 SS enclosure (EN/IEC 60079-7+18, 61241-1)*	-	-	-	● ⁽¹⁾
							Threaded conduit (1/2" NPT)	-	-	-	● ⁽¹⁾
				H	T		Class H - High temperature	-	-	-	● ⁽¹⁾
						X	Other special constructions	-	-	-	● ⁽¹⁾

SUFFIX TABLE

suffix					description	power level			
1	2	3	4	5		LP	RP	MP	BP
E					EPDM (ethylene-propylene)	-	-	-	●
V					FPM (fluoroelastomer)	-	-	-	●
N	V				FPM (fluoroelastomer) and parts cleaned for oxygen service	-	-	-	●
		M	S		Screw type manual operator	-	-	-	●

OPTIONS & ACCESSOIRES

catalogue number	spare parts kit n ^{o(2)}		screw type manual operator
	~	=	
❖374A001/002/003	C140038	-	C140048
❖374A031/032/033	C140038	-	C140072
❖374A061/062/063	-	C140037	C140048
❖374A070/071/072	-	C140037	C140072
❖374A016/017/018	C140038	C140038	C140048
❖374A046/047/048	C140038	C140038	C140072
❖374A012/013	C140042	-	C140048
❖374A042/043	C140042	-	C140072
❖374A027/028	C140042	C140042	C140048
❖374A057/058	C140042	C140042	C140072
❖374A007	C140039	-	C140048
❖374A037	C140039	-	C140072
❖374A022	C140039	C140039	C140048
❖374A052	C140039	C140039	C140072

- ❖ Select **B** for NPT ANSI 1.20.3 or select **E** for ISO (228/1 and 7/1)
 - Available feature
 - Not available
 - * ATEX solenoids are also approved according to EN 13463-1 (non electrical valves)
- (1) Power level 10,5/11,2: Available feature, see Specifications page 1
 (2) Standard suffixes E and V are also applicable to kits
 (3) Basic kit number applies to SC coil construction

PRODUCT SELECTION GUIDE

STEP 1

Select basic catalogue number, including pipe thread identification letter. Refer to the specifications tables on pages 1 and 2.

Example: E374A016

STEP 2

Select prefix (combination). Refer to the specifications table on page 1 and the prefix table on page 2, respect the indicated power level.

Example: EM

STEP 3

Select suffix (combination) if required. Refer to the suffix table on page 2, respect the indicated power level.

Example: MS

STEP 4

Select voltage. Refer to standard voltages on page 3.

Example: 230V / 50Hz

STEP 5

Final catalogue / ordering number.

Example:

EME374A016MS 230 V / 50 Hz

ORDERING EXAMPLES VALVES:

SC	E	374	A	046	MS	230V / 50 Hz
SCHT	B	374	A	018		230V / 50 Hz
WS	E	374	A	048	MS	24V / DC
WP	B	374	A	022		24V / DC
EM	B	374	A	017	MS	230V / 50 Hz

prefix _____
 pipe thread _____
 basic number _____
 voltage _____
 suffix _____

ORDERING EXAMPLES KITS:

C140038	(3)	
C140038		V
C140037		E

basic number _____
 suffix _____

EXPLANATION OF TEMPERATURE RANGES OF SOLENOID VALVES

Valve temperature range	The valve temperature range (TS) is determined by the selected seal material, the temperature range for proper operation of the valve and sometimes by the fluid (e.g. steam)
Operator ambient temperature range	The operator ambient temperature range is determined by the selected power level and the safety code
Total temperature range	The temperature range of the complete solenoid valve is determined by the limitations of both temperature ranges above

ELECTRICAL CHARACTERISTICS

Coil insulation class	F
Electrical safety	IEC 335
Standard voltages	DC (=) 24V - 48V AC (~) 24V - 48V - 115V - 230V/50Hz; other voltages and 60Hz are available on request

prefix option	power ratings				operator ambient temperature range (TS) (C°)	safety code	electrical enclosure protection (EN 60529)	replacement coil / kit		type ⁽¹⁾
	inrush ~	holding ~	hot/cold =					~	=	
	(VA)	(VA)	(W)	(W)				230V/50 Hz	24V/DC	
Basic power (BP)										
SC	23	14	8	8/10,8	-25 to +60	EN 60730	moulded IP65	43005096	43005099	01-02
SC	55	23	10,5	9/11,2	-40 to +75	EN 60730	moulded IP65	400425-117	400425-142	03-04
WP	55	23	10,5	9/11,2	-40 to +75	EN 60730	steel IP67	400405-117	400405-142	07-08
WS	55	23	10,5	9/11,2	-40 to +75	EN 60730	steel IP67	400405-117	400405-142	07-08
NK	55	23	10,5	9/11,2	-40 à +50/60	II 2G/D Ex d IIB+H ₂ T4/Ex tD	aluminium IP65	400405-117	400405-142	05-06
EM/WSEM	55	23	10,5	9/11,2	-40 to +40	II 2G/D Ex emb II T3/Ex tD	steel/SS IP67	400909-117	400913-142	07-08
PV	55	23	10,5	9/11,2	-40 to +65	II 2G/D Ex mb II T3(-)/T4(=)/Ex mD	moulded IP65	- ⁽²⁾	- ⁽²⁾	09-10

- Not available

⁽¹⁾ Refer to the dimensional drawings on pages 4 to 6

⁽²⁾ Multiple coil kits available under ATEX, contact us

ELECTRICAL CONNECTIONS

prefix	connection
SC	Spade plug connector with cable gland EN 175301-803A (ISO 4400) for cables with an outer diameter from 6 to 10 mm.
WP, WS, EM, WSEM	M22 cable gland for cables with an outer diameter from 7 to 12 mm. With an internal and external facility for an earthing or bonding conductor.
NK	3/4" NPT cable gland for unarmoured cables with an outer diameter from 8,5 to 16 mm or 12 to 20,5 mm or for armoured cables with an inner diameter of 8,5 to 16 mm and an outer diameter of 12 to 21 mm.
PV	Moulded-in cable, standard length 2 m

ADDITIONAL OPTIONS

- Other pipe threads are available on request
- Ex mb (prefix "PV") execution can be supplied in various cable lengths
- Compliance with "UL", "CSA" and other local approvals available on request
- 1/2" NPT (prefix "T") and M20 x 1.5 (prefix "ET") conduits (aluminium or 316 SS) available for steel solenoid housing

INSTALLATION

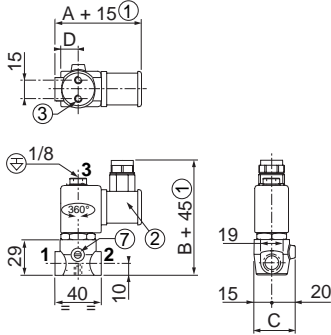
- Installation/maintenance instructions are included with each valve
- The solenoid valves can be mounted in any position without affecting operation
- Threaded pipe connection identifier is: B = NPT (ANSI 1.20.3); E = (ISO 228/1 and ISO 7/1)
- Prefix "NK" enclosure is provided with a 3/4" NPT threaded entry hole (M20 x 1,5 (prefix "ET") optional) and is supplied without cable gland

DIMENSIONS (mm), WEIGHT (kg)



TYPE 01:
SC
Epoxy moulded
IEC 335 / ISO 4400

374A001 / 374A061 / 374A002 / 374A062 / 374A003 / 374A063
374A012 / 374A013 / 374A007



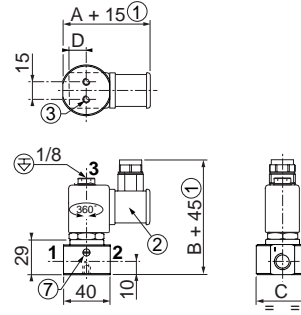
Pressure inlet:
• Function U = any port
• Function NC = Port 2
• Function NO = Port 3

Ports 1 and 2 : 1/4
Port 3 : 1/8



TYPE 02:
SC
Epoxy moulded
IEC 335 / ISO 4400

374A031 / 374A070 / 374A032 / 374A071 / 374A033 / 374A072
374A042 / 374A043 / 374A037



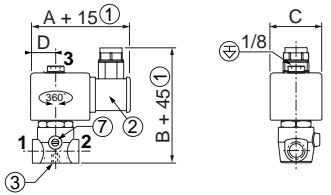
Pressure inlet:
• Function U = any port
• Function NC = Port 2
• Function NO = Port 3

Ports 1 and 2 : 1/4
Port 3 : 1/8



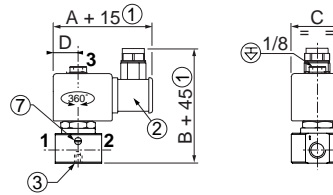
TYPE 03:
SC
Epoxy moulded
IEC 335 / ISO 4400

374A016 / 374A017 / 374A018
374A027 / 374A028 / 374A022



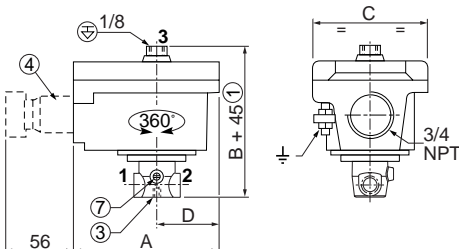
TYPE 04:
SC
Epoxy moulded
IEC 335 / ISO 4400

374A046 / 374A047 / 374A048
374A057 / 374A058 / 374A052



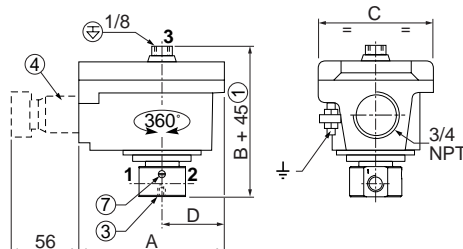
TYPE 05:
NK
Aluminium; epoxy coated
EN/IEC 60079-1 et EN/IEC 61241-1

374A016 / 374A017 / 374A018
374A027 / 374A028 / 374A022



TYPE 06:
NK
Aluminium; epoxy coated
EN/IEC 60079-1 et EN/IEC 61241-1

374A046 / 374A047 / 374A048
374A057 / 374A058 / 374A052

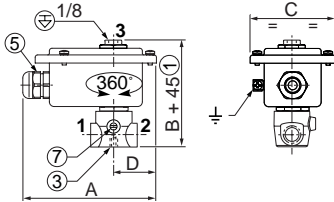


DIMENSIONS (mm), WEIGHT (kg)



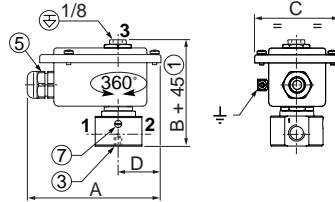
TYPE 07:
 WP / WS
 EM / WSEM
 Steel; epoxy coated / AISI 316 SS
 IEC 335 / EN/IEC 60079-7/18 and EN/IEC 61241-1

374A016 / 374A017 / 374A018
 374A027 / 374A028 / 374A022



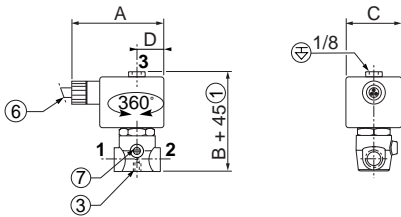
TYPE 08:
 WP / WS
 EM / WSEM
 Steel; epoxy coated / AISI 316 SS
 IEC 335 / EN/IEC 60079-7/18 and EN/IEC 61241-1

374A046 / 374A047 / 374A048
 374A057 / 374A058 / 374A052



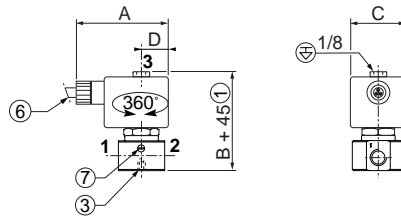
TYPE 09:
 PV
 Epoxy encapsulated
 EN/IEC 60079-18 and EN/IEC 61241-18

374A016 / 374A017 / 374A018
 374A027 / 374A028 / 374A022



TYPE 10:
 PV
 Epoxy encapsulated
 EN/IEC 60079-18 and EN/IEC 61241-18

374A046 / 374A047 / 374A048
 374A057 / 374A058 / 374A052



DIMENSIONS (mm), WEIGHT (kg)

type	prefix option	power level	A	B	C	D	weight ⁽¹⁾
01	SC	Basic Power	75	98	35	15	0,340
02	SC	Basic Power	75	98	45	15	0,410
03	SC	Basic Power	85,5	98	45	21	0,510
04	SC	Basic Power	85,5	98	45	21	0,560
05	NK	Basic Power	100	93	69	35,5	0,840
06	NK	Basic Power	100	93	69	35,5	0,890
07	WP / WS / EM / WSEM	Basic Power	120	95	77	38	0,760
08	WP / WS / EM / WSEM	Basic Power	120	95	77	38	0,810
09	PV	Basic Power	75	79,4	45	21,5	0,558
10	PV	Basic Power	75	79,4	45	21,5	0,608

- ① Extra length for disassembly, depending on model
- ② Connector rotatable by 90° increments (cable Ø 6 - 10 mm)
- ③ Mounting 2 ØM4, 7 mm depth
- ④ Ex d certified cable gland (on request)
- ⑤ Cable gland for unarmoured cable with 6 to 12 mm dia. sheath
- ⑥ Three-core cable, length 2 m
- ⑦ Screw type manual operator, suffix (MS)

⁽¹⁾ Incl.coil(s) and connector(s)

SECTIONAL DRAWING

