

FEATURES

- The monostable spool valves have TÜV-EXIDA certified IEC 61508 Functional Safety data and can be used up to SIL 4 (551/TÜV)-SIL 3 (553/EXIDA)
- All the exhaust ports of this spool valve are connectable, providing better environmental protection, particularly recommended for sensitive areas such as clean rooms, and applications in the pharmaceutical and food processing sectors
- The valve offers environmental protection against the ingress of liquids, dusts or any other foreign matter (environmentally-protected construction)
- Can be externally piloted (external air pilot supply) to convert valve to zero minimum operation by flipping a gasket
- The solenoid valves satisfy all relevant EC Directives

GENERAL

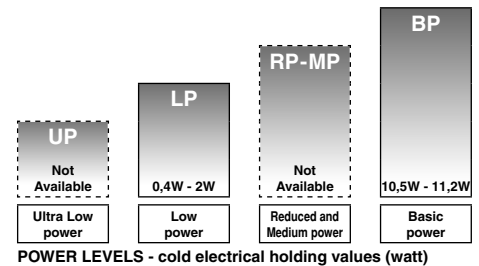
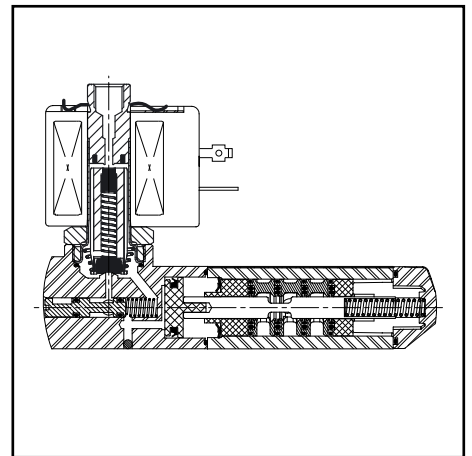
Differential pressure 2 - 10 bar [1 bar = 100 kPa]
Flow (Qv at 6 bar) 1/4 = 860 l/min (ANR)
1/2 = 3000 l/min

fluids (*)	temperature range (TS)	seal materials (*)
air, inert gas, filtered	551 : - 40°C to + 80°C	VMQ (silicone) + PUR (polyurethane)
	553 : - 40°C to + 60°C	

MATERIALS IN CONTACT WITH FLUID

(*) Ensure that the compatibility of the fluids in contact with the materials is verified

Body, end covers	Stainless steel, AISI 316L
Spool valve internal parts	Stainless steel, POM
Core tube	Stainless steel
Core and plugnut	Stainless steel
Core spring	Stainless steel
Seals & discs	NBR
Top disc	FPM
Disc holder	POM
Cartridge (low power)	Welded, packless AISI 430
Seat	Stainless steel
Seat insert	POM
Shading coil	Silver
Rider rings (low power)	PTFE



SPECIFICATIONS

pipe size	orifice size	flow coefficient kv		operating pressure differential (bar)			power level	prefix optional solenoids										basic catalogue number	
								min. (2)		max. (PS)		NEMA 7 & 9					ATEX / IECEx		
				(m³/h)	(l/min)	air (*)		~	=	~/=	EF	LPKF	NF	EM	PV	WSLI	IS		SC
Solenoid air pilot operated - spring return (monostable)																			
1/4	6	0,75	12,5	0 / 2	10	10	BP	-	-	●	●	●	-	-	-	●	❖551A413 (1)		
1/4	6	0,75	12,5	0 / 2	10	10	BP	●	-	-	-	-	-	-	-	-	❖551G413 (1)		
1/4	6	0,75	12,5	0 / 2	10	10	LP	-	●	●	●	○	○	○	-	●	❖551A313 (1)		
1/4	6	0,75	12,5	0 / 2	10	10	LP	○	-	-	-	-	-	-	-	-	❖551G313 (1)		
1/2	13	2,49	41,5	0 / 2	10	10	BP	-	-	●	●	●	-	-	-	●	❖553A413 (1)		
1/2	13	2,49	41,5	0 / 2	10	10	BP	●	-	-	-	-	-	-	-	-	❖553G413 (1)		
1/2	13	2,49	41,5	0 / 2	10	10	LP	-	●	●	●	○	○	○	-	●	❖553A313 (1)		
1/2	13	2,49	41,5	0 / 2	10	10	LP	○	-	-	-	-	-	-	-	-	❖553G313 (1)		
Solenoid air pilot operated and return (bistable)																			
1/4	6	0,75	12,5	0 / 2	10	10	BP	-	-	●	●	●	-	-	-	●	❖551A414		
1/4	6	0,75	12,5	0 / 2	10	10	BP	●	-	-	-	-	-	-	-	-	❖551G414		
1/4	6	0,75	12,5	0 / 2	10	10	LP	-	●	●	●	○	○	○	-	●	❖551A314		
1/4	6	0,75	12,5	0 / 2	10	10	LP	○	-	-	-	-	-	-	-	-	❖551G314		
1/2	13	2,49	41,5	0 / 2	10	10	BP	-	-	●	●	●	-	-	-	●	❖553A414		
1/2	13	2,49	41,5	0 / 2	10	10	BP	●	-	-	-	-	-	-	-	-	❖553G414		
1/2	13	2,49	41,5	0 / 2	10	10	LP	-	●	●	●	○	○	○	-	●	❖553A314		
1/2	13	2,49	41,5	0 / 2	10	10	LP	○	-	-	-	-	-	-	-	-	❖553G314		

❖ Select 8 for NPT ANSI 1.20.3 or select G for ISO G (228/1) ● Available feature ○ Available feature in DC only.

(1) Certified IEC 61508 Functional Safety data, use suffix "SL".

(2) Zero minimum is only achieved if external pressure is applied.

PREFIX TABLE

prefix							description	power level			
1	2	3	4	5	6	7		LP	RP	MP	BP
E	F						Explosionproof - NEMA 7, 9 - Zinc plated steel conduit	○	-	-	●
E	V						Explosionproof - NEMA 7, 9 - 316 SS conduit	○	-	-	●
E	M						Waterproof IP67 - Metal enclosure (EN/IEC 60079-7+18, 61241-1)*	●	-	-	●
I	S	E	T				Threaded conduit/hole (M20 x 1,5)	●	-	-	●
I	S			S	C		Intrinsically safe with SC coil (EN/IEC 60079-11+26, 61241-11)*	○	-	-	-
L	P	K	F				Flameproof - Aluminium (EN/IEC 60079-1, 61241-1)*	●	-	-	-
N	F						Flameproof - Aluminium (EN/IEC 60079-1, 60079-31)*	●	-	-	●
P	V						Encapsulated epoxy moulded (EN/IEC 60079-18, 61241-18)*	○	-	-	●
S	C						Solenoid with spade plug connector (EN/IEC 60730)	●	-	-	●
W	P						Waterproof IP67 - Metal enclosure	●	-	-	●
L	I						I.S. with Aluminium IP67 enclosure (EN/IEC 60079-11 / 61241-1)*	○	-	-	-
W	S						Waterproof IP67 - 316 SS enclosure	●	-	-	●
W	S	L	P	K	F		Flameproof - 316 SS (EN/IEC 60079-1, 61241-1)*	●	-	-	-
W	S	E	M				Waterproof IP67 - 316 SS enclosure (EN/IEC 60079-7+18, 61241-1)*	●	-	-	●
W	S			L	I		I.S., 316L SS, IP67 ATEX-IECEX (EN/IEC 60079 / 61241) *	○	-	-	-
W	S	N	F				Flameproof - 316 SS (EN/IEC 60079-1, 60079-31)*	●	-	-	●
							Threaded conduit (1/2" NPT)	●	-	-	●
				H	T		Class H - High temperature, +80°C ambient temp.	-	-	-	●
						X	Other special constructions	●	-	-	●

SUFFIX TABLE

suffix							description	power level			
1	2	3	4	5	6	7		LP	RP	MP	BP
			M	O			Push type manual operator	○/●	-	-	●
S	L						Certified IEC 61508 Functional Safety data ⁽²⁾	○/●	-	-	●

OPTIONS & ACCESSORIES

series	pipe size	stainless steel exhaust protector		
		G	NPT	(M)
551-553	1/8	34600418 ⁽¹⁾	34600482 ⁽¹⁾	-
551	1/4	34600419 ⁽¹⁾	34600483 ⁽¹⁾	-
553	1/2	34600479 ⁽¹⁾	34600479 ⁽¹⁾	-
551	M5	-	-	34600484 ⁽¹⁾

- Available feature
- Available feature in DC only
- Not available
- * ATEX solenoids are also approved according to EN 13463-1 (non electrical valves)
- ⁽¹⁾ Provided with "SL" suffix
- ⁽²⁾ Not to use with MO suffix

ORDERING EXAMPLES:

SC	G	551	A	413	230V / 50 Hz
SC	G	553	A	413	230V / 50 Hz
SC	G	551	A	413	SL 230V / 50 Hz
SC	G	551	A	414	MO 230V / 50 Hz
SCHT	8	551	A	414	MO 230V / 50 Hz
ISSC	G	551	A	414	MO 24V / DC
WSLPKF	G	551	A	313	MO 24V / DC
WSLPKF	G	551	A	313	MO 230V / 50 Hz
LPKF	G	551	A	313	MO 24V / DC
WSLI	G	551	A	313	24V / DC
EM	8	551	A	413	MO 230V / 50 Hz
EF	G	551	G	413	MO 240V / 60 Hz

prefix ⁽³⁾ — pipe thread — voltage —
 basic number ⁽³⁾ — suffix

⁽³⁾ Prefixes EF and EV should always be used with the letter G in the basic number.

EXPLANATION OF TEMPERATURE RANGES OF SOLENOID VALVES

- Valve temperature range: The valve temperature range (TS) is determined by the selected seal material, the temperature range for proper operation of the valve and sometimes by the fluid (e.g. steam)
- Operator ambient temperature range: The operator ambient temperature range is determined by the selected power level and the safety code
- Total temperature range: The temperature range of the complete solenoid valve is determined by the limitations of both temperature ranges above

ELECTRICAL CHARACTERISTICS

- Coil insulation class: F
- Electrical safety: IEC 335
- Standard voltages: DC (=) 24V - 48V
AC (~) 24V - 48V - 115V - 230V⁽⁵⁾/50Hz; other voltages and 60Hz are available on request

prefix option	power ratings				operator ambient temperature range (TS) (C°) ⁽¹⁾	safety code	electrical enclosure protection (EN 60529)	replacement coil / kit		type ⁽²⁾
	inrush	holding	hot/cold	=				~	=	
	(VA)	(VA)	(W)	(W)				230 V/50 Hz	24V/DC	
Basic power (BP)										
SC	55	23	10,5	9/11,2	-40 to +75	EN 60730	IP65 moulded	400425-117	400425-142	01
WP/WS	55	23	10,5	9/11,2	-40 to +75	EN 60730	IP67 steel/SS	400405-117	400405-142	04
NF/WSNF	55	23	10,5	-	(-60) ⁽⁷⁾ -40 to +25/40/60	I12G Ex d IIC T6/T5/T4, I12D Ex t	IP67 alu./SS	400405-117	-	02
NF/WSNF	-	-	-	9/11,2	(-60) ⁽⁷⁾ -40 to +40/60/75	I12G Ex d IIC T6/T5/T4, I12D Ex t	IP67 alu./SS	-	400405-142	02
EM/WSEM	55	23	10,5	9/11,2	-40 to +40	I12G Ex e mb II T3, I12D Ex tD	IP67 steel/SS	400909-117	400913-142	04
PV	55	23	10,5	9/11,2	-40 to +65	I12G Ex mb II T3(-)/T4(=), I12D Ex mD 21	IP67 moulded	- ⁽⁴⁾	- ⁽⁴⁾	05
EF/EV	55	23	10,5	9/11,2	-40 to +54/40	NEMA type 7 and 9	NEMA 4X	238614-058	238714-006	06
Low power (LP)										
SC	1,5	1,5	1,5	1,7/1,7	-40 to +60	EN 60730	IP65 moulded	400925-097	400925-042	07
WP/WS	1,5	1,5	1,5	1,7/1,7	-40 to +60	EN 60730	IP67 steel/SS	400926-097	400926-042	09
LPKF/WSLPKF ⁽⁸⁾	2,4	2,4	2,4	0,5/0,5 ⁽⁸⁾	-40 to +80/60	I12G Ex d IIB+H2 Gb T4/T6, I12D Ex tDb	IP67 alu./SS	- ⁽⁴⁾	- ⁽⁴⁾	13
NF/WSNF	-	-	1,9	-/1,9	(-60) ⁽⁷⁾ -40 to +75/80	I12G Ex d IIC T6/T5, I12D Ex t	IP67 alu./SS	- ⁽⁴⁾⁽⁵⁾	- ⁽⁴⁾	08
EM/WSEM	1,5	1,5	1,5	1,7/1,7	-40 to +40/55	I12G Ex e mb II T6/T5, I12D Ex tD	IP67 steel/SS	- ⁽⁴⁾	- ⁽⁴⁾	09
PV	-	-	-	1,7/1,7	-40 to +65	I12G Ex mb II T6 / I12D Ex mD 21	IP67 moulded	-	- ⁽⁴⁾	10
EF/EV	-	-	-	1,7/1,7	-40 to +60	NEMA type 7 and 9	NEMA 4X	-	- ⁽⁴⁾	11
ISSC ⁽³⁾	-	-	-	0,4/0,4	-40 to +60	I11G Ex ia IIC T6, I12D Ex iaD 21	IP65 moulded	-	268976-001	12
LI ⁽³⁾⁽⁶⁾	-	-	-	0,5/0,5	-40 to +60	I11G Ex ia IIC T6 Ga, I12D Ex t IIIC Db ⁽⁶⁾	IP67 alu.,	-	- ⁽⁴⁾	14
WSLI ⁽³⁾⁽⁶⁾	-	-	-	0,5/0,5	-40 to +60	I11G Ex ia IIC Ga T6, I12D Ex t IIIC Db	IP67 SS	-	- ⁽⁴⁾	14

prefix option	safety parameters				
	U _i = (DC) (V)	I _i (mA)	P _i (W)	L _i (H)	C _i (µF)
Low power (LP)					
ISSC	32	500	1,5	0	0
LI/WSLI	32	500	1,5	0	0

- ⁽¹⁾ Temperature range can be limited by sealings
- ⁽²⁾ Refer to the dimensional drawings on pages: 4 to 7
- ⁽³⁾ ISSC/LI/WSLI: Check the electrical characteristics in the corresponding catalogue pages
- ⁽⁴⁾ Multiple coil kits are available under ATEX/IECEX, contact us
- ⁽⁵⁾ (WS)NF: Low Power, 230 V AC does not exist. Maximum voltage in AC is 115 V
- ⁽⁶⁾ LI/WSLI: Low Power, 24 V DC only (LI: For use in zone 0 locations, see the installation conditions given in the I&M instructions)
- ⁽⁷⁾ The certified minimum temperature of this operator
- ⁽⁸⁾ LPKF/WSLPKF: 24 V DC, max. ambient temp. +80°C, contact us (48 V DC = 2,1 W)
- Not available

ELECTRICAL CONNECTIONS

prefix	connection
SC, ISSC	Spade plug connector with cable gland EN175301-803A (ISO 4400) for cables with an outer diameter from 6 to 10 mm
WP, WS, EM, WSEM	M20 cable gland for cables with an outer diameter from 7 to 12 mm. With an internal and external facility for an earthing or bonding conductor
NF, WSNF, LPKF, WSLPKF	1/2" NPT threaded cable entry. Enclosures are supplied without cable gland
PV	Moulded-in cable, standard length 2 m
LI, WSLI	1/2" NPT cable gland for cables with an outer diameter from 7 to 12 mm. With an internal and external facility for an earthing or bonding conductor
EF, EV	1/2" NPT conduits, standard length 35 cm

ADDITIONAL OPTIONS

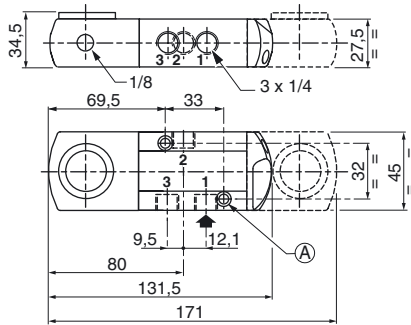
- Valves configured for external pilot air supply, TPL 20547
- Other pipe threads are available on request
- Ex mb/mD (prefix "PV") solenoid can be supplied with various cable lengths
- Compliance with "UL", "CSA" and other local approvals available on request
- 1/2" NPT (prefix "T") and M20 x 1.5 (prefix "ET") conduits (aluminium or 316 SS) available for steel solenoid housing

INSTALLATION

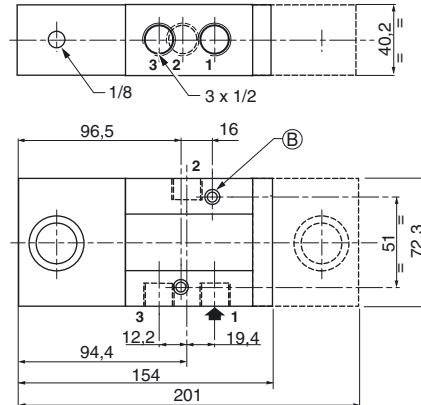
- Multi language installation/maintenance instructions are included with each valve
- The solenoid valves can be mounted in any position without affecting operation
- Do not connect the pressure supply to the exhaust port 3. The "environmentally-protected" construction is not adapted for a "distributing" function or use in NO function. Contact us for functions available in specific versions
- IEC 61508 Functional Safety (suffix SL), allowable temperature range: -40°C to +60°C. For probability of failure, contact us
- It is necessary to connect pipes or fittings to the exhaust ports to protect the internal parts of the spool valve and its pneumatic operator if used outside or in harsh environments (dusts, liquids etc.)
- Threaded pipe connection identifier is: 8 = NPT (ANSI 1.20.3); G = G (ISO 228/1)
- Prefix "NF/WSNF" enclosure is provided with a 1/2" NPT threaded entry hole, M20 x 1,5 (prefix "ET") is optional. Both are supplied without cable gland

DIMENSIONS (mm), WEIGHT (kg)

551 Series



553 Series



2 mounting holes

- (A) 5.3 mm dia.; Spotfacing: 9 mm dia., depth 5 mm
- (B) 6.5 mm dia.; Spotfacing: 11 mm dia., depth 6 mm



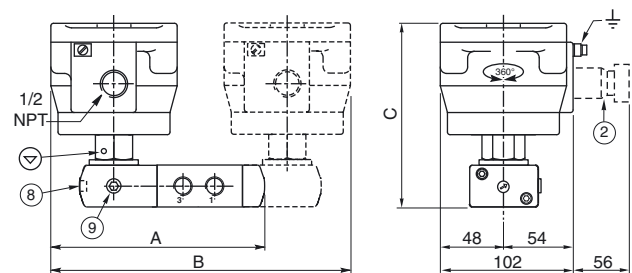
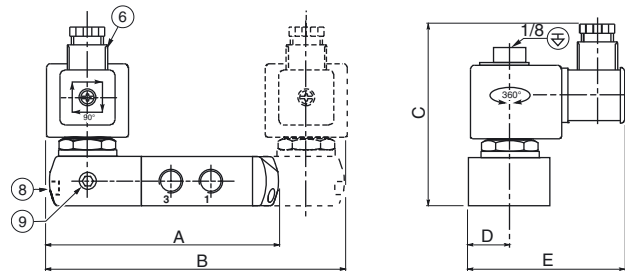
TYPE 01:
SC
Epoxy moulded
IEC 335 / ISO 440

551A413 / 551A414 / 553A413 / 553A414



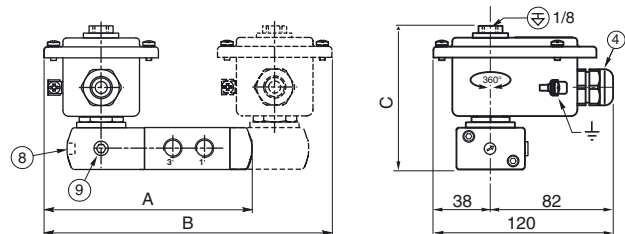
TYPE 02:
NF / WSNF
Aluminium; epoxy coated / AISI 316 SS
EN/IEC 60079-1 and EN/IEC 60079-31

551A413 / 551A414 / 553A413 / 553A414



TYPE 04:
WP / WS
EM / WSEM
Steel; epoxy coated / AISI 316 SS
IEC 335 / EN 60079-7/18 and EN 61241-1

551A413 / 551A414 / 553A413 / 553A414

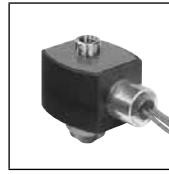
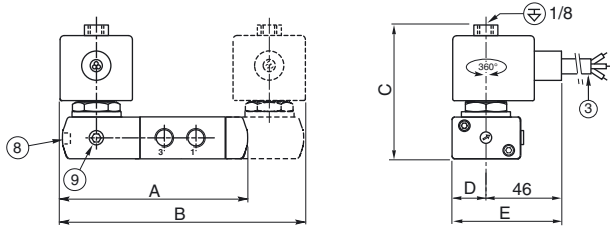


DIMENSIONS (mm), WEIGHT (kg)



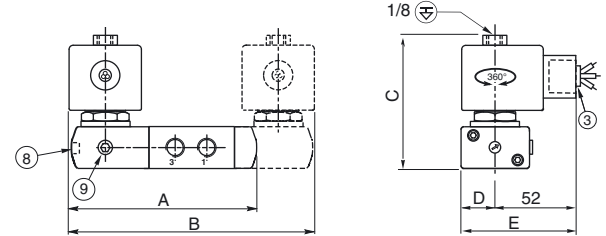
TYPE 05:
PV
Epoxy encapsulated
EN/IEC 60079-18 and EN/IEC 61241-18

551A413 / 551A414 / 553A413 / 553A414



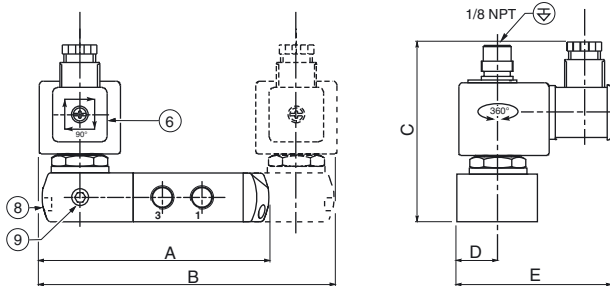
TYPE 06:
EF and EV: NEMA type 7 and 9
Epoxy encapsulated
ICS-6 ANSI
NOTE: applicable to solenoid only

551G413 / 551G414 / 553G413 / 553G414



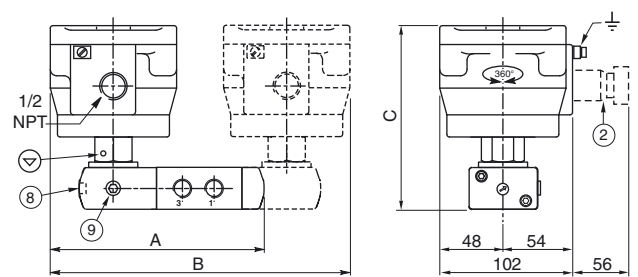
TYPE 07:
SC
Epoxy moulded
IEC 335 / ISO 4400

551A313 / 551A314 / 553A313 / 553A314



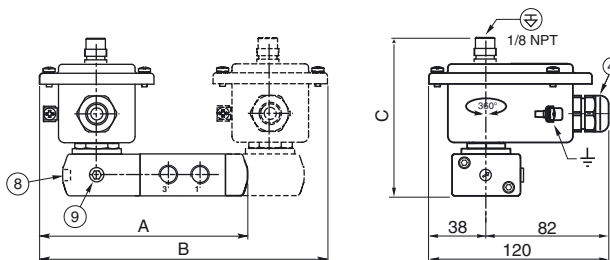
TYPE 08:
NF / WSNF
Aluminium; epoxy coated / AISI 316 SS
EN/IEC 60079-1 and EN/IEC 60079-31

551A313 / 551A314 / 553A313 / 553A314



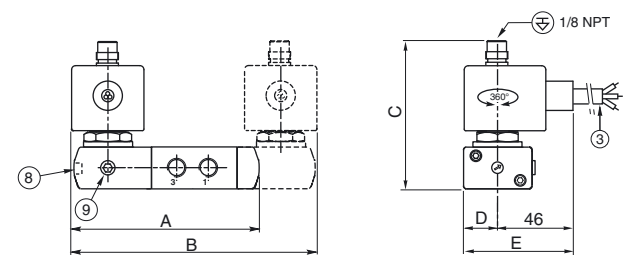
TYPE 09:
WP / WS
EM / WSEM
Steel; epoxy coated / AISI 316 SS
IEC 335 / EN 60079-7/18 and EN 61241-1

551A313 / 551A314 / 553A313 / 553A314

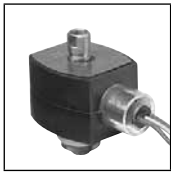


TYPE 10:
PV
Epoxy encapsulated
EN/IEC 60079-18 and EN/IEC 61241-18

551A313 / 551A314 / 553A313 / 553A314

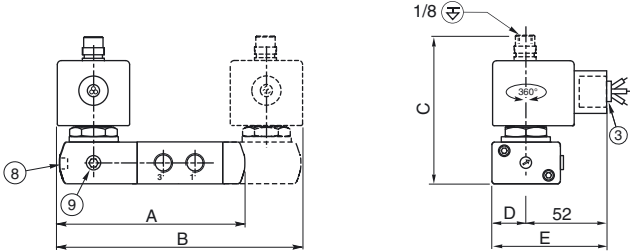


DIMENSIONS (mm), WEIGHT (kg)



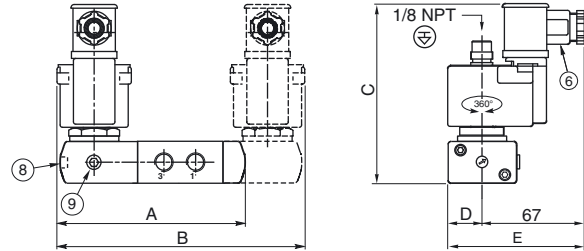
TYPE 11:
 EF and EV: NEMA type 7 and 9
 Epoxy encapsulated
 ICS-6 ANSI
 NOTE: applicable to solenoid only

551G313 / 551G314 / 553G313 / 553G314



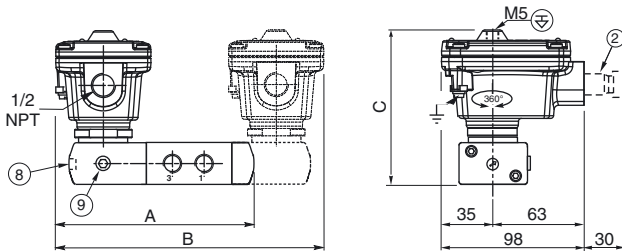
TYPE 12:
 ISSC
 Polypropylene moulded
 Epoxy moulded
 IEC 335/EN 60079-11/26 and EN/IEC 61241-11

551A313 / 551A314 / 553A313 / 553A314



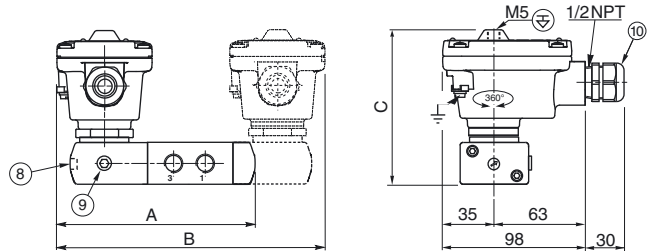
TYPE 13:
 LPKF / WSLPKF
 Aluminium, cataphoresis black painting / AISI 316L SS
 EN/IEC 60079-1 and EN/IEC 61241-1

551A313 / 551A314 / 553A313 / 553A314



TYPE 14:
 LI / WSLI
 Aluminium, cataphoresis black painting / AISI 316L SS
 IEC and EN: 60079-11, 61241-1

551A313 / 551A314 / 553A313 / 553A314



DIMENSIONS (mm), WEIGHT (kg)

type	prefix option	power level	551					553					weight ⁽¹⁾			
			A	B	C	D	E	A	B	C	D	E	monostable		bistable	
													551	553	551	553
01	SC	basic power	132	172	103	22,5	86,5	154	201	108,4	36,5	101	1,19	2,68	1,95	4,01
02	NF	basic power	158	224	142	-	-	198,8	290,6	147,5	-	-	2,34	3,83	4,05	6,11
02	WSNF	basic power	158	224	142	-	-	198,8	290,6	147,5	-	-	3,64	5,14	6,65	8,71
04	WP / WS / EM / WSEM	basic power	148	204	103	-	-	170,7	234,3	108,7	-	-	1,62	3,12	2,61	4,66
05	PV	basic power	132	172	88	22,5	68,5	154	201	93,7	36,5	82,5	1,29	2,78	1,95	4,01
06	EF / EV	basic power	133	173	86	22,5	74,5	157,5	208	91,2	36,5	88,5	1,29	2,78	1,95	4,01
07	SC	low power	133	173	102	22,5	88,0	155	203	107,2	36,5	102	1,19	2,68	1,95	4,01
08	NF	low power	158	224	142	-	-	198,8	290,5	147,5	-	-	2,34	3,83	4,05	6,11
08	WSNF	low power	158	224	142	-	-	198,8	290,5	147,5	-	-	3,64	5,14	6,65	8,71
09	WP / WS / EM / WSEM	low power	148	204	102	-	-	170,7	234,3	107,9	-	-	1,62	3,12	2,61	4,66
10	PV	low power	132	172	101	22,5	68,5	154	201	106,2	36,5	82,5	1,29	2,78	1,95	4,01
11	EF / EV	low power	133	173	101	22,5	74,5	157,5	208	106,2	36,5	88,5	1,29	2,78	1,95	4,01
12	ISSC	low power	134	175	125	22,5	89,5	156,5	206	130,2	36,5	103,5	1,29	2,78	2,15	4,01
13	LPKF	low power	141	192	113	-	-	166	225	118,7	-	-	1,33	4,10	2,23	4,31
13	WSLPKF	low power	141	192	113	-	-	166	225	118,7	-	-	1,94	2,77	3,43	5,38
14	LI	low power	141	192	113	-	-	166	225	118,7	-	-	1,34	4,11	2,24	4,32
14	WSLI	low power	141	192	113	-	-	166	225	118,7	-	-	1,95	2,78	3,44	5,39

⁽¹⁾ Incl. coil(s) and connector(s)

- ② Ex d certified cable gland (on request)
- ③ Three-core cable, length 2 m
- ④ Cable gland for unarmoured cable with 7 to 12 mm dia. sheath
- ⑥ Connector rotatable by 90° increments (cable Ø 6 - 10 mm)
- ⑧ Manual operator location, suffix MO
- ⑨ External pilot air supply, 1/8 pipe size
- ⑩ Cable gland for unarmoured cable with 7 to 12 mm dia. sheath
- ⊕ Connectable pilot exhaust port
- ⊖ Non-connectable pilot exhaust port

ACCESSORIES

pilot exhaust protector
part number
276405-001

pilot top exhaust low power
(ASCO solenoid interface)

ØA	M5	1/8	1/4	1/2
B	4,5	10	11	14

exhaust protector
(stainless steel)

All leaflets are available on: www.asconumatics.eu

4-45-8 **BCAE** 青岛秉诚自动化设备有限公司
Automation Solutions 地址：中国·青岛市重庆南路99号海尔云街甲3号楼7F

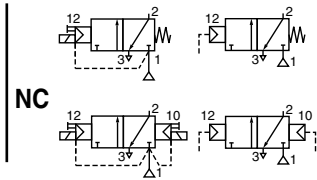
服务热线：4006-918-365
网址：<http://www.ivalve.cc>

传真：(86-532)585-10-365
Email：sales@bechinas.com



SPOOL VALVES

pilot operated or air operated, spool type
single/dual solenoid (mono/bistable function)
stainless steel body, 1/4-1/2



3/2

Series

551
553

FEATURES

- The monostable spool valves have TÜV-EXIDA certified IEC 61508 Functional Safety data and can be used up to SIL 4 (551/TÜV)-SIL 3 (553/EXIDA)
- Series 551 versions according to ATEX 94/9/EC, for zones 0, 1 and 2 and series 553 air-operated versions for zones 1 and 2
- All the exhaust ports of this spool valve are connectable, providing better environmental protection, particularly recommended for sensitive areas such as clean rooms, and applications in the pharmaceutical and food processing sectors
- The valve offers environmental protection against the ingress of liquids, dusts or any other foreign matter (environmentally-protected construction)
- The solenoid valves satisfy all relevant EC Directives

GENERAL

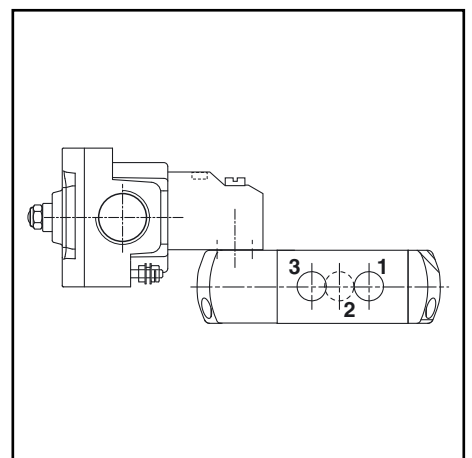
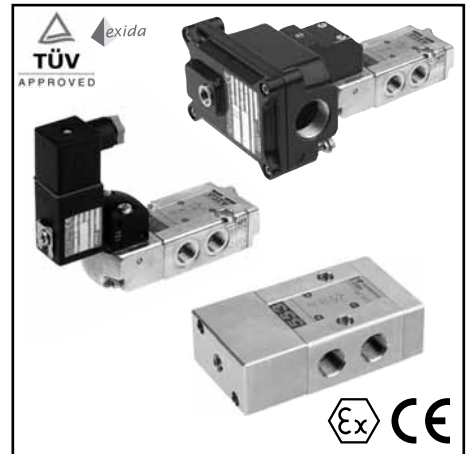
Differential pressure 2 - 10 bar [1 bar =100 kPa]
Flow (Qv at 6 bar) 1/4 = 860 l/min (ANR)
1/2 = 3000 l/min

fluids (*)	temperature range (TS)	seal materials (*)
air, inert gas, filtered	- 40°C to + 60°C	VMQ (silicone) + PUR (polyurethane)

MATERIALS IN CONTACT WITH FLUID

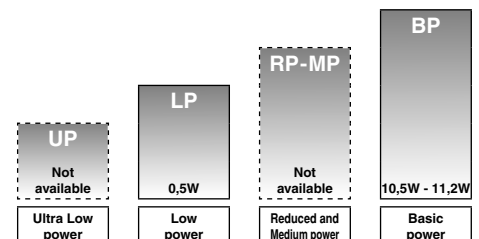
(*) Ensure that the compatibility of the fluids in contact with the materials is verified

	Air operated (Series 551-553)	CNOMO solenoid (pilot) interface (Series 551)
Body, end covers	Stainless steel, AISI 316L	Stainless steel, AISI 316L
Spool valve internal parts	Stainless steel, POM	Stainless steel, POM
Seals	NBR	NBR
Pilot internal parts	-	Size 30 (E06.05.80N), refer to catalogue pages: 374 pilot (CTNK) and 195 pilot (LISC)



AIR OPERATED SPECIFICATIONS

pipe size	orifice size	flow coefficient kv		operating pressure differential (bar)			prefix optional	basic catalogue number
				min.	max. (PS)			
(*)	(mm)	(m³/h)	(l/min)		air (*)			
					~	=		
Pilot air operated - spring return (monostable)								
1/4	6	0,75	12,5	2	10	10	-	❖551A113 ⁽¹⁾
1/2	13	2,49	41,5	2	10	10	-	❖553A113 ⁽¹⁾
Pilot air operated and return (bistable)								
1/4	6	0,75	12,5	2	10	10	-	❖551A114
1/2	13	2,49	41,5	2	10	10	-	❖553A114



POWER LEVELS - cold electrical holding values (watt)

CNOMO SOLENOID (PILOT) INTERFACE SPECIFICATIONS

pipe size	orifice size	flow coefficient kv		operating pressure differential (bar)			power level	prefix optional solenoids		basic catalogue number
				min.	max. (PS)			ATEX / IECEx		
(*)	(mm)	(m³/h)	(l/min)		air (*)		~/=	Ex d	Ex ia	
					~	=		CTNK	LISC	
Solenoid air pilot operated - spring return (monostable)										
1/4	6	0,75	12,5	2	10	10	BP	●	-	❖551A213 ⁽¹⁾
1/4	6	0,75	12,5	2	-	8	LP	-	○	❖551B213
Solenoid air pilot operated and return (bistable)										
1/4	6	0,75	12,5	2	10	10	BP	●	-	❖551A214
1/4	6	0,75	12,5	2	-	8	LP	-	○	❖551B214

❖ Select 8 for NPT ANSI 1.20.3 or select G for ISO G (228/1) ● Available feature ○ Available feature in DC only.
⁽¹⁾ Certified IEC 61508 Functional Safety data, use suffix "SL".

All leaflets are available on: www.asconumatics.eu



青岛秉诚自动化设备有限公司
地址：中国·青岛市重庆南路99号海尔云街甲3号楼7F

服务热线：4006-918-365
网址：<http://www.ivalve.cc>

传真：(86-532)585-10-365
Email：sales@bechinas.com

4-45-9

80056GB-2012/R01

PREFIX TABLE

prefix							description	power level			
1	2	3	4	5	6	7		UP	LP	RP	BP
C	T	N	K				Flameproof with pilot 374, ATEX (EN 60079-1 / 61241-1)*	-	-	-	●
L	I	S	C				Intrinsically safe, pilot 195, ATEX (EN/IEC 60079-11+26, 61241-11)*	-	○	-	-

SUFFIX TABLE

suffix							description	power level			
1	2	3	4	5	6	7		UP	LP	RP	BP
	G	D					Non-electrical, 1 GD c (551)/ 2 GD c (553), gas/dust (EN 13463-5)	-	-	-	-
			M	S			Screw type manual operator ⁽³⁾	-	-	-	●
	S	L					Certified IEC 61508 Functional Safety data ^{(1) (3)}	-	○	-	●

OPTIONS & ACCESSORIES

series	pipe size	stainless steel exhaust protector	
		G	NPT
551	1/8	34600418 ⁽²⁾	34600482 ⁽²⁾
551	1/4	34600419 ⁽²⁾	34600483 ⁽²⁾
553	1/2	34600479 ⁽²⁾	34600479 ⁽²⁾

- Available feature
- Available feature in DC only
- Not available
- * ATEX solenoids are also approved according to EN 13463-1 (non electrical valves)
- ⁽¹⁾ Not to use with MS suffix
- ⁽²⁾ Provided with "SL" suffix
- ⁽³⁾ Not to use with LISC prefix

PRODUCT SELECTION GUIDE

STEP 1

Select the fluid temperature range and seal material from the general table on page 7. Select basic catalogue number, including pipe thread identification letter. Refer to the specifications tables on page 7.

Example : G551A213

STEP 2

Select prefix (combination). Select the appropriate operator from the tables on page 7. Select for this operator in the electrical characteristics table on page 9: the power level (LP, BP), the type of electrical enclosure protection and the desired temperature class.

Warning: The ambient temperature range of your application may not exceed the temperature range of your operator.

Air operated version, does not use prefix.

Example : CTNK

STEP 3

Select suffix (combination) if required. Refer to the suffix table, respect the indicated power level.

GD suffix available for air operated version only (do not use manual operator suffix).

Example : MS

STEP 4

Select voltage.

Refer to standard voltages on page 15.

Example : 230V / 50Hz

STEP 5

Final catalogue / ordering number.

Example :

CTNK G551A213MS 230 V / 50 Hz

ORDERING EXAMPLES:

CTNK	G	551	A	213	230V / 50 Hz
CTNK	G	551	A	213 SL	24V / DC
CTNK	G	551	A	213 MS	115V / 50 Hz
CTNK	G	551	A	214	230V / 50 Hz
CTNK	G	551	A	214 MS	48V / DC
CTNK	8	551	A	213	230V / 50 Hz
LISC	G	551	B	213	12.24V / DC
LISC	G	551	B	214	12.24V / DC
				G 551 A 113	
				G 551 A 113 GD	
				G 551 A 113 GDSL	
				G 551 A 114	
				G 553 A 113	
				G 551 A 114 GD	

prefix ———

pipe thread ———

basic number ———

————— voltage

————— suffix

EXPLANATION OF TEMPERATURE RANGES OF SOLENOID VALVES

- Valve temperature range The valve temperature range (TS) is determined by the selected seal material, the temperature range for proper operation of the valve and sometimes by the fluid (e.g. steam)
- Operator ambient temperature range The operator ambient temperature range is determined by the selected power level and the safety code
- Total temperature range The temperature range of the complete solenoid valve is determined by the limitations of both temperature ranges above

ELECTRICAL CHARACTERISTICS

- Coil insulation class F
- Electrical safety IEC 335
- Standard voltages DC (=) CTNK : 24V - 48V ; LISC : 12..24V
CA (~) CTNK : 24V - 48V - 115V - 230V/50Hz - other voltages and 60Hz are available on request

prefix option	power ratings			operator ambient temperature ranges (TS) (C°)	safety code	electrical enclosure protection (EN 60529)	replacement coil		type ⁽¹⁾	
	inrush ~ (VA)	holding ~ (VA)	hot/cold = (W)				~ =	=		
Basic power (BP)										
CTNK	55	23	10,5	9/11,2	-20 to +60	II 2G/D Ex d IIB+H ₂ T4/Ex tD	moulded IP65	-	-	01
Low power (LP)										
LISC ⁽³⁾⁽⁴⁾	-	-	-	0,5	-40 to +65	II 1G Ex ia IIC T6 Ga, II 2D Ex ib IIIC Db ⁽³⁾	moulded IP65	-	-	02

- Not available

⁽¹⁾ Refer to the dimensional drawings on page 12.

prefix option	safety parameters				
	U _r (= DC) (V)	I _r (mA)	P _r (W)	L _r (H)	C _r (µF)
Low power (LP)					
LISC	30	300	1,6	0	0

⁽³⁾ Min. operating current (I_{(ON) min.}): 0,036 A / U_{(ON) min.} = 12,8 V (For use in zone 0 locations, see the installation conditions given in the I&M instructions)

⁽⁴⁾ Intrinsically safe pilots: Check the electrical characteristics in the corresponding catalogue pages (LISC: 19500036/LISC pilot).

ELECTRICAL CONNECTIONS

prefix	connection
CTNK	3/4" NPT threaded cable entry. Enclosures are supplied without cable gland
LISC	Spade plug connector with cable gland EN175301-803A (ISO 4400) for cables with an outer diameter from 6 to 8 mm

ADDITIONAL OPTIONS

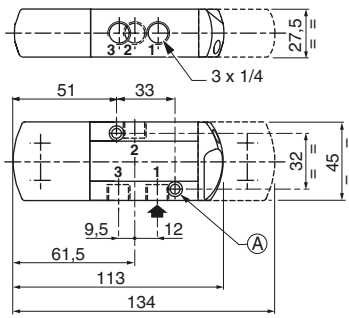
- Mounting on aluminium supply rail, 1/4 or 1/2
- Other pipe threads are available on request

INSTALLATION

- Installation/maintenance instructions are included with each valve
- The valves can be mounted in any position without affecting operation
- Do not connect the pressure supply to the exhaust port 3. The "environmentally-protected" construction is not adapted for a "distributing" function
- IEC 61508 Functional Safety (Suffix SL), allowable temperature range: -40°C to +60°C. Probability of failure on demand, contact us
- It is necessary to connect pipes or fittings to the exhaust ports to protect the internal parts of the valve if used outside or in harsh environments (dusts, liquids etc.)
- Threaded pipe connection identifier is: 8 = NPT (ANSI 1.20.3); G = G (ISO 228/1)
- Ex d (prefix "CTNK") enclosure is provided with a 3/4" NPT threaded entry hole [optionally, 1/2" NPT (prefix "T") or M20 x 1,5 (prefix "ET")] and is supplied without cable gland
- Valves with suffix "SL" are provided with specific exhaust protectors

DIMENSIONS (mm), WEIGHT (kg)

Type 01-02: CNOMO (Series 551) size 30 (E06.05.80)



2 mounting holes

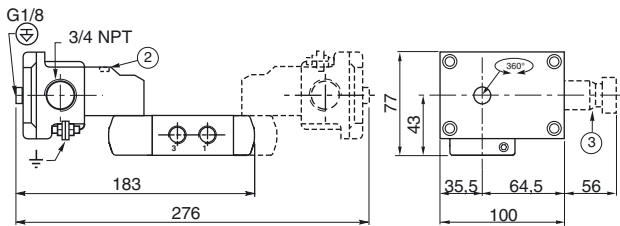
- Ⓐ 5.3 mm dia.; Spotfacing: 9 mm dia., depth 5 mm
- Ⓑ 6.5 mm dia.; Spotfacing: 11 mm dia., depth 6 mm



TYPE 01:

CTNK
Light alloy, cataphoresis black painting
EN 60079-1 and EN 61241-1

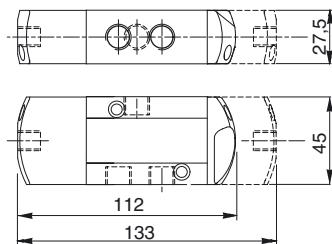
551A213 / 551A214
551A213MS / 551A214MS



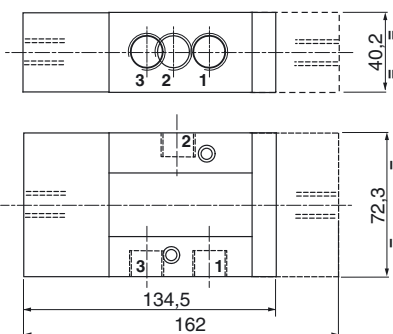
TYPE 03:

No prefix, IP65
[suffixes 551: GD (II 1 GD c) ; SL (SIL) ;
GDSL (SIL, II 1 GD c)
suffix 553: GD (II 2 GD c) ; SL (SIL) ;
GDSL (SIL, II 2 GD c)]
Air operated version

551A113 / 551A114

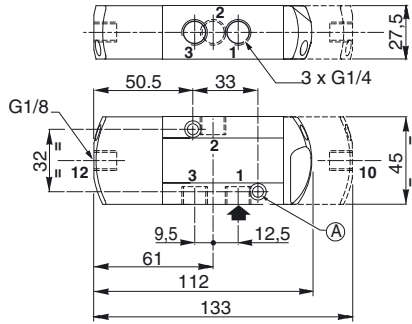


553A113 / 553A114

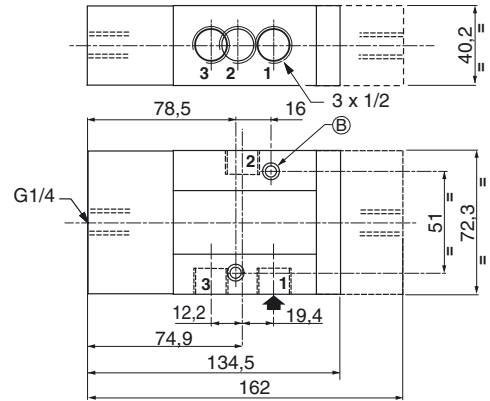


Type 03: Air operated

Series 551



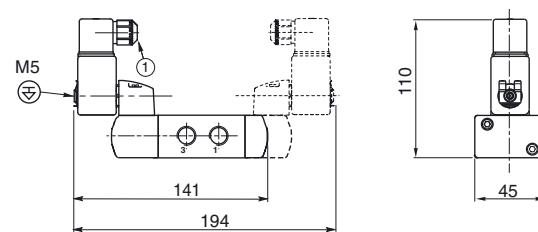
Series 553



TYPE 02:

LISC
Aluminium
IEC 335/EN 60079-11/26 and EN/IEC 61241-11

551B213 / 551B214



- ① Connector rotatable by 90° increments (cable 6 - 8 mm)
- ② Manual operator location
- ③ Ex d certified cable gland (on request)
- ⊕ Connectable pilot exhaust port
- ⊖ Non-connectable pilot exhaust port

type	prefix option	power level	weight ⁽¹⁾			
			monostable		bistable	
			551	553	551	553
01	CTNK	basic power	1,17	-	1,89	-
02	LISC	low power	0,68	-	0,93	-
03	-	-	0,33	2,14	0,41	2,01

⁽¹⁾ Incl. connector(s), except CFVT.

ACCESSORIES

ØA	-	1/8	1/4	1/2
B	-	10	11	14

exhaust protector (stainless steel)