



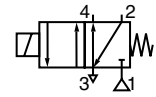
SOLENOID VALVES

direct operated, core disc

NAMUR

1/8

NC



3/2

Series

325

FEATURES

- The solenoid valves with NAMUR interface are recommended for small quarter turn single acting actuators
- No minimum operating pressure is required
- The NAMUR direct mount configuration with G 1/8" port connections is in line with the new CEN standards for small volume actuators
- The solenoid valves satisfy all relevant EC Directives

GENERAL

Differential pressure 0 - 7 bar [1 bar = 100kPa]
Maximum viscosity 65cST (mm²/s)
Response times 5 - 25 ms

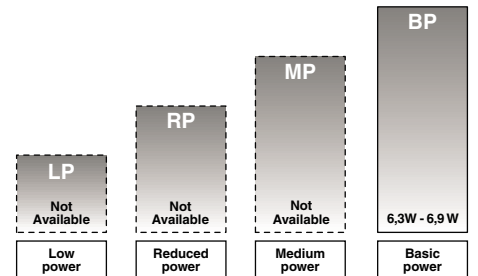
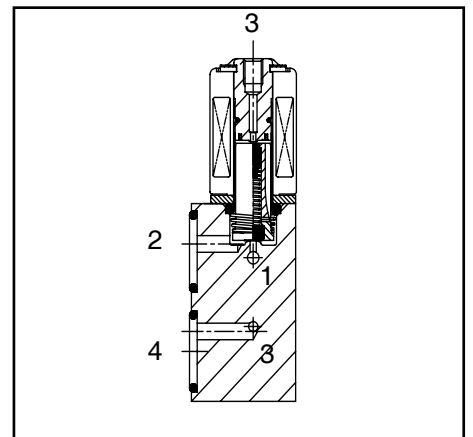
fluids (*)	temperature range (TS)	seal material (*)
air, inert gas	-20 to +90°C	NBR (nitrile)



MATERIALS IN CONTACT WITH FLUID

(*) Ensure that the compatibility of the fluids in contact with the materials is verified

	Aluminium body	Stainless steel body
Body	Hard anodized aluminium	AISI 316L SS
Core tube	Stainless steel	Stainless steel
Core and plugnut	Stainless steel	Stainless steel
Springs	Stainless steel	Stainless steel
Sealings & discs	NBR	FPM
Shading coil	Copper	Copper



POWER LEVELS - cold electrical holding values (watt)

SPECIFICATIONS

pipe size	orifice size	flow coefficient Kv				operating pressure differential (bar)		power level	Prefix optional solenoids						basic catalogue number	
		port		min.	max. (PS)	NEMA 7&9	ATEX/CENELEC				IP65	aluminium	stainless st.			
		1 → 2	2 → 3				air (*)		EExd	EExem				EExm	EExn	
❖	(mm)	(m ³ /h)	(l/min)			~/=	~/=	EF	NF	EM	PV	ZN	SC	❖ 325A106	❖ 325A136	
NC - Normally closed																
1/8	1,6	0,08	0,06	1,3	1,0	0	7	BP	-	-	-	●	-	●	❖ 325A106	❖ 325A136

❖ Select **B** for NPT ANSI 1.20.3
 Select **G** for ISO G(228/1)

● Available feature
 - Not available

All leaflets are available on: www.asco-process-scope.com



青岛秉诚自动化设备有限公司
 地址：中国·青岛市重庆南路99号海尔云街甲3号楼7F

服务热线：4006-918-365
 网址：http://www.ivalve.com

传真：(86-532)585-16-365
 Email：sales@bechinas.com

PREFIX TABLE

prefix							description	power level			
1	2	3	4	5	6	7		LP	RP	MP	BP
S	C			D	U		Dustproof ATEX (EN 50281-1-1)*	-	-	-	●
E	F						Explosionproof - NEMA 3, 4, 6, 7, 9	-	-	-	-
E	V						Explosionproof - NEMA 3, 4, 6, 7, 9 - 316 SS	-	-	-	-
E	M						Encapsulated ATEX (EN 50019 & EN 50028)*	-	-	-	-
		E	T				Threaded conduit/hole (M20 x 1.5)	-	-	-	-
I	S		S	C			Intrinsically safe with SC coil ATEX (EN 50020)*	-	-	-	-
N	F						Flameproof - Aluminium ATEX (EN 50018)*	-	-	-	-
N	L						Flameproof - Cast Iron ATEX (EN 50018)*	-	-	-	-
P	V						Encapsulated ATEX (EN 50028)*	-	-	-	●
S	C						Solenoid with spade plug connector (EN 60730)	-	-	-	●
W	P						Waterproof IP67 - Metal enclosure (EN 60730)	-	-	-	-
W	P			D	U		Dustproof ATEX (EN 50281-1-1) - Metal enclosure*	-	-	-	-
W	P			I	S		I.S. with Metal IP67 enclosure ATEX (EN 50020)*	-	-	-	-
W	P			Z	N		Non Sparking metal enclosure ATEX (EN 50021)*	-	-	-	-
W	S						Waterproof IP67 - 316 SS enclosure	-	-	-	-
W	S			D	U		Dustproof ATEX (EN 50281-1-1) - 316 SS enclosure*	-	-	-	-
W	S	E	M				316 SS "EM" enclosure ATEX (EN 50019, EN 50020)*	-	-	-	-
W	S			I	S		I.S. with 316 SS IP67 enclosure ATEX (EN 50020)*	-	-	-	-
W	S	N	F				Flameproof - 316 SS ATEX (EN 50018)*	-	-	-	-
W	S	Z	N				Non Sparking 316 SS enclosure ATEX (EN 50021)*	-	-	-	-
							Threaded conduit (1/2" NPT)	-	-	-	-
				H	C		Class H - Battery charging circuit	-	-	-	-
				H	T		Class H - High temperature	-	-	-	-
Z	N						Encapsulated Non Sparking ATEX (EN 50021)*	-	-	-	-
						X	Other special constructions	-	-	-	●

PRODUCT SELECTION GUIDE

STEP 1

Select basic catalogue number, including pipe thread identification letter. Refer to the specifications table on page 1.

Example: G325A106

STEP 2

Select prefix (combination). Refer to the specifications table on page 1 and the prefix table on page 2, respect the indicated power level.

Example: PV

STEP 3

Select suffix (combination) if required. Refer to the suffix table on page 2, respect the indicated power level.

Example: CO

STEP 4

Select voltage. Refer to standard voltages on page 3.

Example: 24V / DC

STEP 5

Final catalogue / ordering number.

Example:

PV G325A106 CO 24V / DC

SUFFIX TABLE

suffix					description	power level			
1	2	3	4	5		LP	RP	MP	BP
E					EPDM (ethylene-propylene)	-	-	-	●
J					CR (chloroprene)	-	-	-	●
N					Oxygen service (CR (chloroprene))	-	-	-	-
N	V				FPM (fluoroelastomer) parts cleaned for oxygen service	-	-	-	-
V					FPM (fluoroelastomer)	-	-	-	●
	C	O			Epoxy coating on all external surfaces	-	-	-	●
	M	B			Mounting bracket	-	-	-	-
		P			Dry gas, non-lubricated air construction	-	-	-	-
		Q			Long life, quiet operation construction	-	-	-	-
			M	O	Manual operator	-	-	-	-
			M	S	Screw type manual operator	-	-	-	-
				M	Metering device	-	-	-	-
S	L				Certified IEC 61508 Functional Safety data	-	-	-	-

● Available feature

- Not available

* ATEX solenoids are also approved according to EN 50281-1-1 (dust) and EN 13463-1 (non electrical valves)

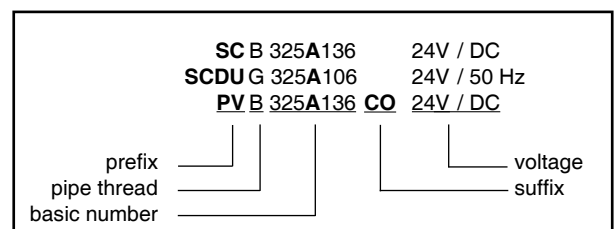
OPTIONS & ACCESSORIES

catalogue number	spare parts kit no.		mounting bracket no.
	~	=	
SC ❖325A106	-	-	■
SC ❖325A136	-	-	■

❖ Select **B** for NPT ANSI 1.20.3 or select **G** for ISO G(228/1)

■ Mounting holes in body

ORDERING EXAMPLES VALVES:



All leaflets are available on: www.asco-process-scope.com

ELECTRICAL CHARACTERISTICS

Coil insulation class F
Connector Spade plug
Connector specification 3x DIN 46244 (cable Ø 6-8 mm)
Electrical safety IEC 335

Standard voltages: DC (=) 24V - 48V
 AC (~) 24V - 48V - 115V - 230V/50Hz; Other voltages and 60Hz are available on request

prefix option	power ratings				operator amb. temp. range (TS) (°C) ⁽¹⁾	safety code	electrical enclosure protection (EN 60529)	replacement coil / kit		type ⁽²⁾
	inrush	holding	hot/cold					~	=	
	(VA)	(VA)	(W)	(W)				230V/50Hz	24V/DC	
Basic power (BP)										
SC	14,5	11	6,3	5,0/6,9	-40 to +75	EN 60730	moulded IP65	400125-217	400125-142	01
PV	14,6	11,3	6,3	5,0/6,9	-40 to +65/40	II 2 G/D EEx m II T3(-)/T4(=)	moulded IP65	- ⁽³⁾	- ⁽³⁾	02

⁽¹⁾ Temperature range can be limited by sealings

⁽³⁾ Multiple coil-kits available under ATEX, contact us

⁽²⁾ Refer to the dimensional drawings on page 4

- Not available

ADDITIONAL OPTIONS

- EEx m (prefix "PV") solenoid can be supplied in various cable lengths
- Compliance with "UL", "CSA" and other local approvals available on request
- Special moulded-in solid state components for peak voltage suppression and/or rectification (four diode bridge)

INSTALLATION

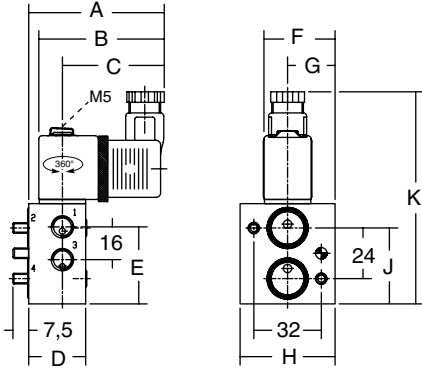
- Multi language installation/maintenance instructions are included with each valve
- The solenoid valves can be mounted in any position without affecting operation
- Mounting according to NAMUR recommendations
- Dowel pin, bolts and gaskets are standard supplied (remove if necessary)
- The mounting holes are provided in the valve body
- Threaded pipe connection identifier is B = NPT (ANSI 1.20.3); G = G (ISO 228/1)
- Declarations of conformity are available on request

DIMENSIONS (mm), WEIGHT (kg)



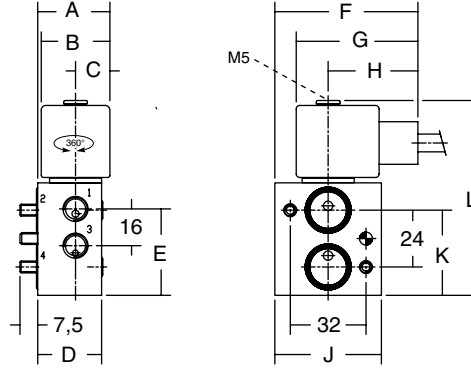
TYPE 01:
 Prefix "SC" Solenoid
 Basic power
 Epoxy moulded
 IEC 335 / ISO 4400 (SC)
 IP65

325A106 / A136



TYPE 02:
 Prefix "PV" Solenoid
 Basic power
 Epoxy encapsulated
 EN 50028 and EN 50281-1-1
 II 2 G/D EEx m II
 IP65

325A106 / A136



type	prefix option	power level	A	B	C	D	E	F	G	H	J	K	L	weight
01	SC	BP	64	59	48	27	37	34	23	45	36	101	-	0,40 kg
02	PV	BP	31	29	15	27	37	60	51	38	45	36	82	0,45 kg