

FEATURES

- The valves have TÜV certified IEC 61508 Functional Safety data and can be used up to SIL-4
- The solenoid valves with interface as per VDI/VDE 3845 are recommended for linear single acting actuators with high flow, wide pressure range and without a minimum operating pressure
- PTFE rider rings and graphite-filled PTFE seals reduce friction and eliminate sticking
- Coils used in metal enclosures have class H insulation materials
- Dedicated execution for low power
- Dedicated execution for extreme low ambient temperatures
- Peak voltage suppression diodes are standard in DC solenoids with metal enclosures
- The solenoid valves satisfy all relevant EC Directives
- Manual Operators are optional including an under pressure removable type



GENERAL

Differential pressure 0 - 10 bar [1 bar = 100kPa]
Maximum viscosity 65cST (mm²/s)
Response times 75 - 100 ms

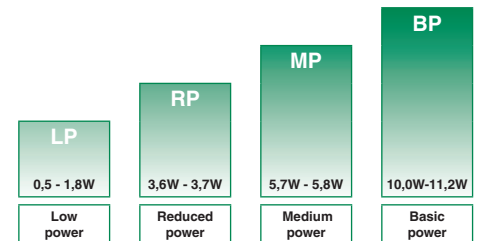
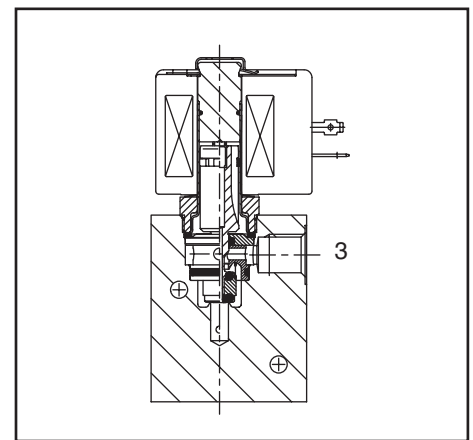
fluids ⁽¹⁾ (*)	temperature range (TS)	seal materials (*)
air, inert gas, water, oil	-20 to +120°C	FPM (fluoroelastomer)
	-40 to + 40°C	VMQ (silicone)
	-50 to + 60°C	(F)VMQ ((fluoro)silicone)

⁽¹⁾ Air / inert gas only for Ex i version (NFIS and WSNFIS)

MATERIALS IN CONTACT WITH FLUID

(*) Ensure that the compatibility of the fluids in contact with the materials is verified

	Aluminium body	Stainless steel body
Body	Hard anodized aluminium	AISI 316L SS
Stem	Stainless steel	Stainless steel
Core tube	Stainless steel	Stainless steel
Core and plugnut	Stainless steel	Stainless steel
Springs	Stainless steel	Stainless steel
Sealings & poppets	FPM , VMQ or (F)VMQ	FPM, VMQ or (F)VMQ
Rider ring	PTFE	PTFE



POWER LEVELS - cold electrical holding values (watt)

SPECIFICATIONS

pipe size	orifice size	flow coefficient Kv		operating pressure differential (bar)		power level	prefix optional solenoids					basic catalogue number			
							min.	max. (PS)	NEMA 7&9	ATEX / IECEx				IP65	
										air/water (*)	Ex d				Ex i
❖	(mm)	(m ³ /h)	(l/m)		~/=	~/=	EF	NF	NFIS	EM	PV	SC	aluminium	stainless steel	
NC - Normally closed, FPM sealings and poppets															
1/4	5,7	0,45	7,5	0	10	BP	●	●	-	●	○	●	❖ 327B006	❖ 327B008	
1/4	5,7	0,45	7,5	0	10	MP	-	●	-	●	-	●	❖ 327B206	❖ 327B208	
1/4	5,7	0,45	7,5	0	10	RP	-	●	-	●	-	●	❖ 327B106	❖ 327B108	
1/4	5,7	0,45	7,5	0	10	LP	-	●	-	-	-	-	❖ 327B306	❖ 327B308	
NC - Normally closed, VMQ sealings and poppets															
1/4	5,7	0,45	7,5	0	10	BP	●	●	-	●	○	●	❖ 327B016	❖ 327B018	
NC - Normally closed, (F)VMQ sealings and poppets															
1/4	5,7	0,45	7,5	0	10	MP	-	●	-	●	-	●	❖ 327B216	❖ 327B218	
1/4	5,7	0,45	7,5	0	10	RP	-	●	-	●	-	●	❖ 327B116	❖ 327B118	
1/4	5,7	0,45	7,5	0	10 ⁽¹⁾	LP	-	●	○	-	-	-	❖ 327B316	❖ 327B318	

❖ Select **8** for NPT ANSI 1.20.3 or Select **G** for ISO G(228/1)

● Available feature

○ Available feature in DC only

- Not available

⁽¹⁾ Air / inert gas only for Ex i version (NFIS and WSNFIS)

All leaflets are available on: www.asconumatics.eu

PREFIX TABLE

prefix							description	power level			
1	2	3	4	5	6	7		LP	RP	MP	BP
E	F						Explosionproof - NEMA 7, 9 - Zinc plated steel conduit	-	-	-	●
E	V						Explosionproof - NEMA 7, 9 - 316 SS conduit	-	-	-	●
E	M						Waterproof IP67 - Metal enclosure (EN/IEC 60079-7+18, 61241-1)*	-	●	●	●
		E	T				Threaded conduit/hole (M20 x 1,5)	●	●	●	●
N	F						Flameproof - Aluminium (EN/IEC 60079-1, 60079-31)*	●	●	●	●
P	V						Encapsulated epoxy moulded (EN/IEC 60079-18, 61241-18)*	-	-	-	○
S	C						Solenoid with spade plug connector (EN/IEC 60730)	-	●	●	●
W	P						Waterproof IP67 - Metal enclosure	-	●	●	●
N	F			I	S		I.S. with Aluminium IP67 enclosure (EN/IEC 60079-11+31)*	○	-	-	-
W	S						Waterproof IP67 - 316 SS enclosure	-	●	●	●
W	S	E	M				Waterproof IP67 - 316 SS enclosure (EN/IEC 60079-7+18, 61241-1)*	-	●	●	●
W	S	N	F	I	S		I.S. with 316L SS IP67 enclosure (EN/IEC 60079-11+31)*	○	-	-	-
W	S	N	F				Flameproof - 316L SS (EN/IEC 60079-1, 60079-31)*	●	●	●	●
						T	Threaded conduit (1/2" NPT)	●	●	●	●
						H	Class H - Battery charging circuit	-	-	-	●
						X	Other special constructions	-	●	●	●

SUFFIX TABLE

suffix					description	power level			
1	2	3	4	5		LP	RP	MP	BP
N	V				FPM (fluoroelastomer) and parts cleaned for oxygen service	●	●	●	●
V					FPM (fluoroelastomer)	●	-	-	-
		C	O		Epoxy coating on all external surfaces	●	●	●	●
				M	Push type manual operator ⁽²⁾	●	●	●	●
				M	Screw type manual operator ^{(1) (2)}	●	●	●	●

● Available feature

○ Available feature in DC only

- Not available

* ATEX solenoids are also approved according to EN 13463-1 (non electrical valves)

⁽¹⁾ Functional Safety certification is not applicable with this feature

⁽²⁾ Under pressure removable execution (see page 6)

PRODUCT SELECTION GUIDE

STEP 1

Select basic catalogue number, including pipe thread identification letter. Refer to the specifications table on page 1.

Example: 8327B006

STEP 2

Select prefix (combination). Refer to the specifications table on page 1 and the prefix table on page 2, respect the indicated power level.

Example: NF

STEP 3

Select suffix (combination) if required. Refer to the suffix table on page 2, respect the indicated power level.

Example: MO⁽¹⁾

STEP 4

Select voltage. Refer to standard voltages on page 3.

Example: 230V / 50/60 Hz

STEP 5

Final catalogue / ordering number.

Example:

NF 8327B006 MO 230V / 50/60 Hz

OPTIONS & ACCESSORIES

catalogue number	spare part kit no. ⁽²⁾	mounting bracket
	~ / =	
SC ❖327B006	C123670	■
SC ❖327B008	C123670	■
SC ❖327B016	C131237	■
SC ❖327B018	C131237	■
SC ❖327B106	C132251	■
SC ❖327B108	C132251	■
SC ❖327B116	C132253	■
SC ❖327B118	C132253	■
SC ❖327B206	C132251	■
SC ❖327B208	C132251	■
SC ❖327B216	C132253	■
SC ❖327B218	C132253	■
SC ❖327B306	C133443	■
SC ❖327B308	C133443	■
SC ❖327B316	C133444	■
SC ❖327B318	C133444	■

❖ Select **8** for NPT ANSI 1.20.3 or select **G** for ISO G(228/1)

⁽²⁾ Standard prefixes/suffixes are also applicable to kits

■ Mounting holes in body

ORDERING EXAMPLES VALVES:

SC 8 327B006	24V / DC
WSEMT G 327B008 MS	24V / DC
NFET G 327B006	230V / 50/60 Hz
WSEM G 327B008	24V / DC
NF 8 327B216 MO	24V / DC
WS G 327B006 MS	24V / DC
EM 8 327B206	230V / 50/60 Hz
PV 8 327B018 MS	24V / DC
EF G 327H108 MS	240V / 50/60 Hz

prefix⁽³⁾ — pipe thread — basic number⁽³⁾ — voltage — suffix

ORDERING EXAMPLES KITS:

C131237 ⁽⁴⁾
PV C123670 MS
NF C131237
WSEM C123670 MO

prefix — basic number — suffix

⁽³⁾ Prefix EF and EV should always be used in conjunction with change letter H in the basic number

⁽⁴⁾ Basic kit number applies to SC coil construction

All leaflets are available on: www.asconumatics.eu

EXPLANATION OF TEMPERATURE RANGES OF SOLENOID VALVES

Valve temperature range The valve temperature range (TS) is determined by the selected seal material, the temperature range for proper operation of the valve and sometimes by the fluid (e.g. steam)

Operator ambient temperature range The operator ambient temperature range is determined by the selected power level and the safety code

Total temperature range The temperature range of the complete solenoid valve is determined by the limitations of both temperature ranges above

ELECTRICAL CHARACTERISTICS

Coil insulation class H

Electrical safety IEC 335

Standard voltages ⁽¹⁾ DC (=) 24V - 48V; Allowable voltage variation ± 10%
AC (~) 24V - 48V - 115V - 230V/50/60Hz; Other voltages are available on request

prefix option	power ratings				operator ambient temperature range (C°) ⁽²⁾	safety code	electrical enclosure protection (EN 60529)	replacement coil / kit		type ⁽³⁾
	inrush ~	holding ~	hot/cold =					~	=	
	(VA)	(VA)	(W)	(W)				230V/50/60 Hz	24V/DC	
Basic power (BP)										
SC	10,0	10,0	10,0	9,0/11,2	-40 to +55	EN 60730	IP65, moulded	123664-017	400425-142	01
WP/WS	10,0	10,0	10,0	9,0/11,2	-40 to +55	EN 60730	IP67, steel /SS	400915-017	400913-142	03
NF/WSNF	10,0	10,0	10,0	9,0/11,2	-60 to +40/60	II2G Ex d IIC Gb T6/T5, II2D Ex t IIIC Db	IP67, alu./SS	400915-017	400913-142	05
EM/WSEM	10,0	10,0	10,0	9,0/11,2	-40 to +40	II2G Ex e mb IIC Gb T3, II2D Ex tb IIIC Db	IP67, steel /SS	400915-017	400913-142	03
PV	-	-	-	9,0/11,2	-40 to +55	II2G Ex mb IIC Gb T4, II2D Ex mb IIIC Db	IP67, moulded	-	- ⁽⁴⁾	06
EF/EV	12,0	12,0	12,0	9,3/11,6	-40 to +52/40	NEMA type 7 and 9	NEMA 4X	276002-058D	238714-006D	07
Medium Power (MP)										
SC	5,8	5,8	5,8	5,2/5,7	-40 to +90	EN 60730	IP65, moulded	400924-297	400923-442	02
WP/WS	5,8	5,8	5,8	5,2/5,7	-40 to +90	EN 60730	IP67, steel /SS	400921-297	400914-442	04
NF/WSNF	5,8	5,8	5,8	5,2/5,7	-60 to +60/75/90	II2G Ex d IIC Gb T6/T5/T4, II2D Ex t IIIC Db	IP67, alu./SS	400921-297	400914-442	05
EM/WSEM	5,8	5,8	5,8	5,2/5,7	-40 to +40/75/90	II2G Ex e mb IIC Gb T5/T4/T3, II2D Ex tb IIIC Db	IP67, steel /SS	400921-297	400914-442	04
Reduced Power (RP)⁽⁵⁾										
SC	3,7	3,7	3,7	3,2/3,6	-40 to +55	EN 60730	IP65, moulded	- ⁽⁵⁾	400923-042	02
WP/WS	3,7	3,7	3,7	3,2/3,6	-40 to +55	EN 60730	IP67, steel /SS	- ⁽⁵⁾	400914-242	04
NF/WSNF	3,7	3,7	3,7	3,2/3,6	-60 to +60	II2G Ex d IIC Gb T6, II2D Ex t IIIC Db	IP67, alu./SS	- ⁽⁵⁾	400914-242	05
EM/WSEM	3,7	3,7	3,7	3,2/3,6	-40 to +40/55	II2G Ex e mb IIC Gb T6/T5, II2D Ex tb IIIC Db	IP67, steel /SS	- ⁽⁵⁾	400914-242	04
Low Power (LP)⁽⁵⁾										
NF/WSNF	1,85	1,85	1,85	1,5/1,8	-60 to +55	II2G Ex d IIC Gb T6, II2D Ex t IIIC Db	IP67, alu./SS	- ⁽⁵⁾	400914-542	05
NFIS ⁽⁶⁾	0,5	0,5	0,5	0,5	-40 to +60	II1G Ex ia IIC T6 Ga, II2D Ex tb IIIC Db	IP66/67, alu./SS	-	429013-001	05
WSNFIS	0,5	0,5	0,5	0,5	-40 to +60	II1G Ex ia IIC T6 Ga, II2D Ex tb IIIC Db	IP66/67, alu./SS	-	429013-001	05

⁽¹⁾ NFIS and WSNFIS only available in 24V/DC ⁽²⁾ Temperature range can be limited by sealings ⁽³⁾ Refer to the dimensional drawings on page 4 and 5
⁽⁴⁾ Multiple coil kits are available under ATEX/IECEx, contact us ⁽⁵⁾ AC (~) limited to 127V/50/60Hz or 125V/DC ⁽⁶⁾ Shall be protected against any impact or friction, see the installation conditions given in the I&M sheet
 - Not available

ELECTRICAL CONNECTIONS

prefix	connection
SC	Spade plug connector with cable gland EN175301-803A (ISO 4400) for cables with an outer diameter from 6 to 10 mm
WP, WS, EM, WSEM, NFIS, WSNFIS	M20 cable gland for cables with an outer diameter from 7 to 12 mm. With an internal and external facility for an earthing or bonding conductor
NF, WSNF, NFTIS, WSNFTIS	1/2" NPT threaded cable entry. Enclosures are supplied without cable gland
NFET, WSNFET, NFETIS, WSNFETIS	M20 x 1,5 threaded cable entry. Enclosures are supplied without cable gland

ADDITIONAL OPTIONS

- Ex mb/mD (prefix "PV") solenoid can be supplied with various cable lengths
- Compliance with "UL", "CSA" and other local approvals available on request
- Manual Operators are available as shown on page 6

INSTALLATION

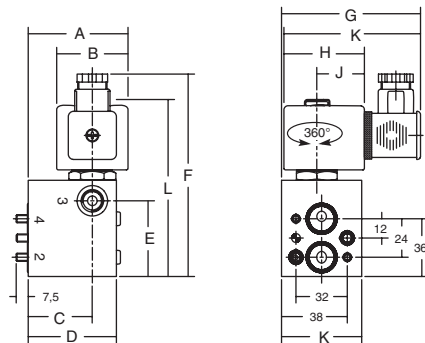
- Multi language installation/maintenance instructions are included with each valve
- The solenoid valves can be mounted in any position without affecting operation
- Mounting according to VDI/VDE 3845 recommendations for actuators for linear movement
- Dowel pin, bolts and gaskets are standard supplied (remove if necessary)
- The mounting holes are provided in the valve body
- Threaded pipe connection identifier is 8 = NPT (ANSI 1.20.3); G = G (ISO 228/1)
- Declarations of conformity are available on request
- Ex e mb Prefix "EM" and Ex ia Prefix "NFIS" execution: solenoid enclosure has a cable gland with integral strain relief for cables with an o.d. from 7 to 12 mm and is provided with an internal and external connection facility for an earthing or bonding conductor
- Ex d Prefix "NF/WSNF" enclosure is provided with a 1/2" NPT threaded entry hole, M20 x 1,5 (prefix "ET") is optional Both are supplied without cable gland
- All DC solenoids with metal enclosure are provided with switch-off peak voltage suppression diodes
- To comply with IEC 61508 (SIL) the valves must be provided with a specific exhaust protector (as shown on page 6) or equal

DIMENSIONS (mm), WEIGHT (kg)



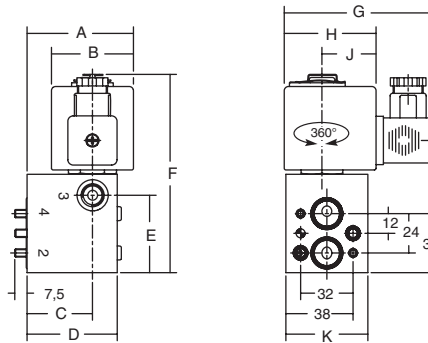
TYPE 01:
Epoxy moulded
SC: IEC 335 / ISO 4400

327B006 / B008 / B016 / B018



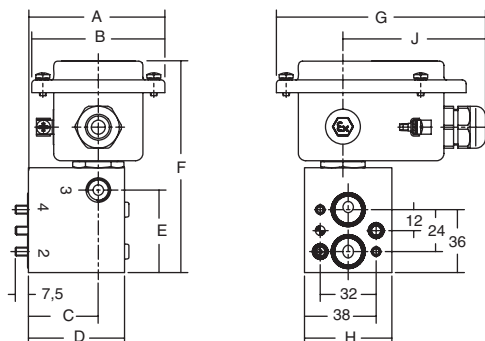
TYPE 02:
Epoxy moulded
SC: IEC 335 / ISO 4400

327B106 / B108 / B116 / B118 / B206 / B208 / B216 / B218



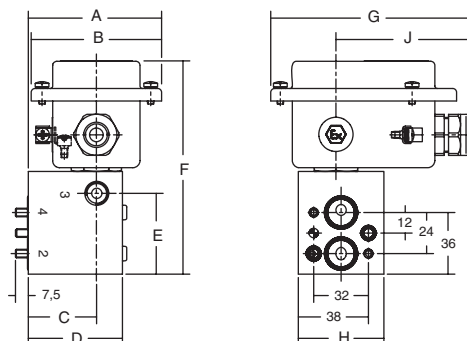
TYPE 03:
Metal, epoxy coated / AISI 316 SS
WP / WS: IEC 335
EM / WSEM: EN/IEC 60079-7+18, 61241-1

327B006 / B008 / B016 / B018



TYPE 04:
Metal, epoxy coated / AISI 316 SS
WP / WS: IEC 335
EM / WSEM: EN/IEC 60079-7+18, 61241-1

327B106 / B108 / B116 / B118 / B206 / B208 / B216 / B218

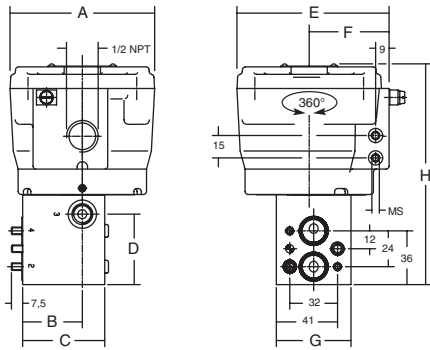


DIMENSIONS (mm), WEIGHT (kg)



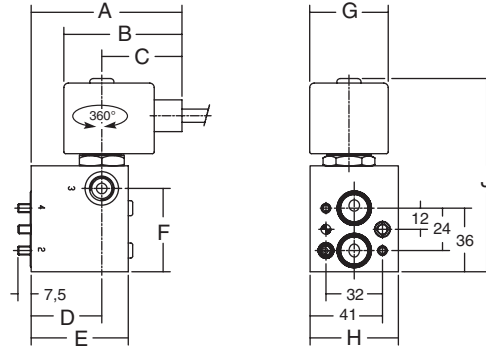
TYPE 05:
Aluminium, epoxy coated / AISI 316L SS
NF/WSNF : EN/IEC 60079-1, 60079-31
NFIS/WSNFIS : EN/IEC 60079-11, 60079-31

327B006 / B008 / B016 / B018 / B106 / B108 / B116 / B118 /
B206 / B208 / B216 / B218 / B306 / B308 / B316 / B318



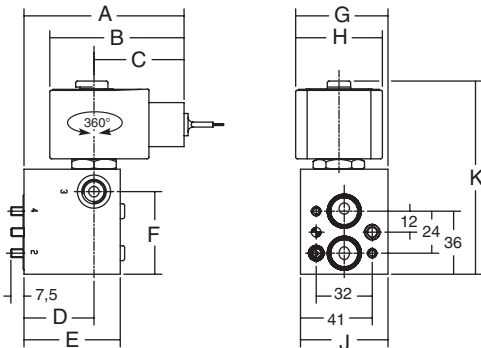
TYPE 06:
Epoxy encapsulated
PV: EN/IEC 60079-18, 61241-18

327B006 / B008 / B016 / B018

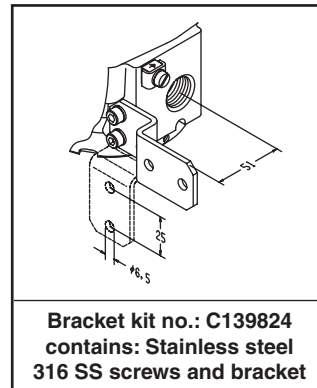


TYPE 07:
Epoxy encapsulated
EF and EV: NEMA type 7, 9 / ICS-6 ANSI

327H006 / H008 / H016 / H018

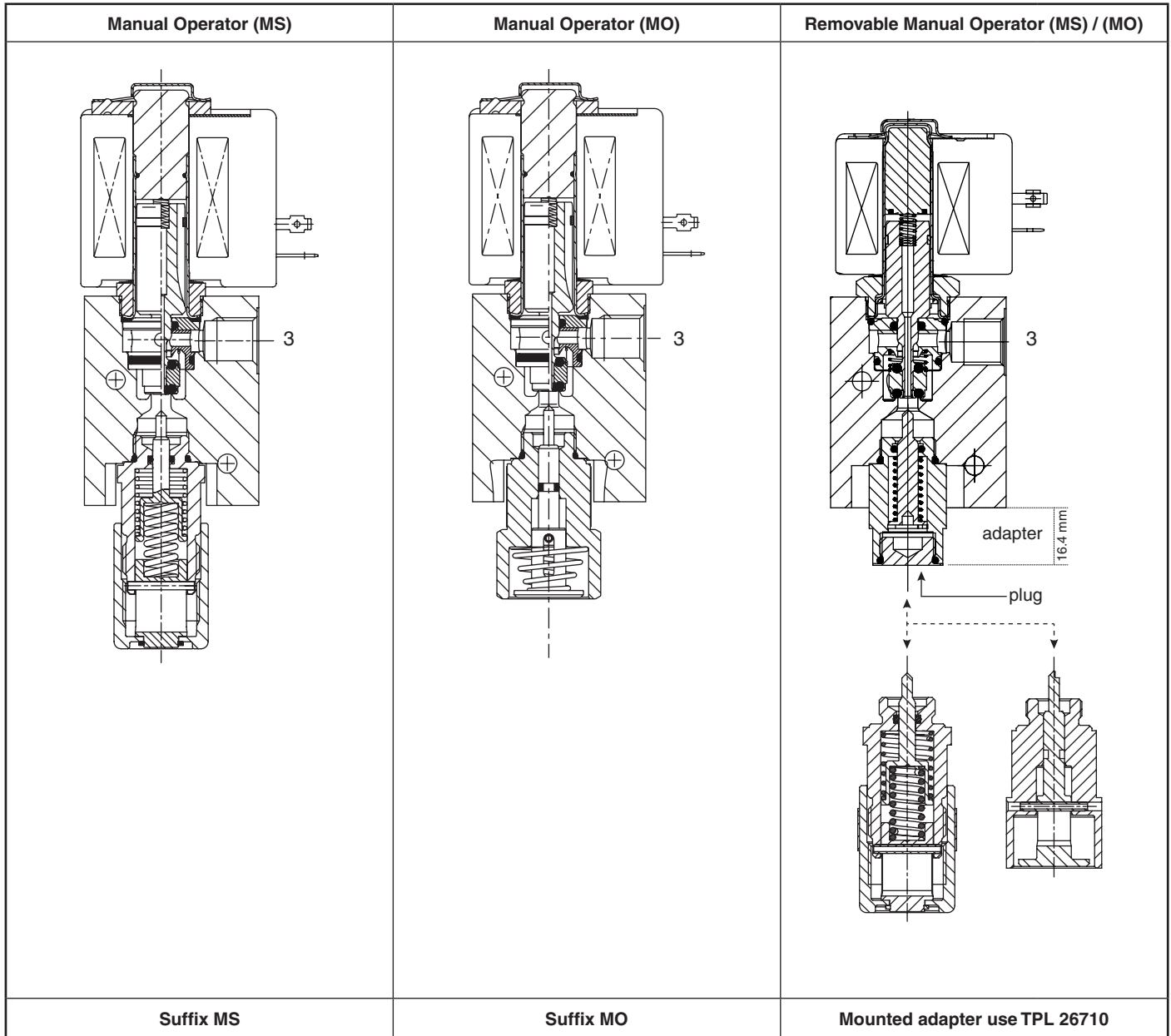


MOUNTING BRACKET



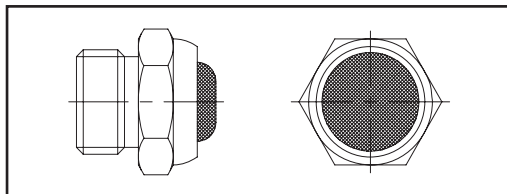
type	prefix/option	power level	A	B	C	D	E	F	G	H	J	K	weight
01	SC	BP	62	45	40	55	47	126	85	50	30	50	0,95 kg
02	SC	MP/RP	65	50	40	55	47	121	87	56	33	50	1,05 kg
03	WP, WS, EM, WSEM	BP	79	77	40	55	47	121	120	50	81	-	1,00 kg
04	WP, WS, EM, WSEM	MP/RP	79	77	40	55	47	124	120	50	81	-	1,00 kg
05	NF, WSNF	BP/MP/RP	97	10	55	47	162	54	50	148	-	-	2,60 kg
05	NF, WSNF, NFIS, WSNFIS	LP	97	10	55	47	162	54	50	158	-	-	2,70 kg
06	PV	BP	85	67	45	40	55	47	45	50	109	-	1,05 kg
07	EF, EV	BP	91	77	51	40	55	47	53	50	50	110	1,05 kg

SECTIONAL DRAWINGS



Removable Manual Operator	Kit number
MS type	C325324
MO type	C325323
Adapter type	C325410

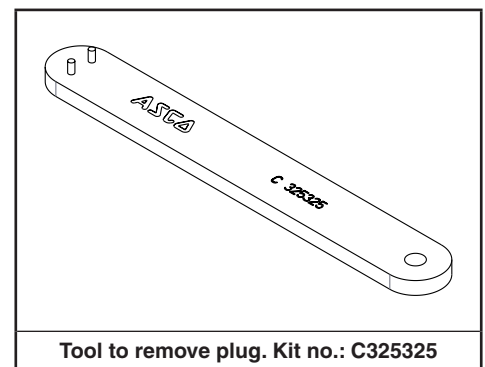
EXHAUST PROTECTOR



EXHAUST PROTECTOR ORDER NO.

1/4	ISO 228/1	brass/nickel	B-MV110014
	NPT		B-PV110014
	ISO 228/1	stainless steel	B-VX110014
	NPT		B-PV110014 Inox

REMOVABLE MO / MS TOOL



All leaflets are available on: www.asconumatics.eu