

FEATURES

- Explosionproof operator for use in potentially explosive atmospheres according to Directive ATEX 94/9/EC
- EC type examination certificate (LCIE 10 ATEX 3043X) and IECEx certificate (IECEx LCI 10.0010X) are in compliance with the European Standards EN-IEC 60079-0, EN-IEC 60079-1 and EN-IEC 61241-1
- Easy electrical installation by means of a screw terminal coil
- Enclosure provided with a 1/2 NPT threaded entry hole for a broad range of cable entries
- Ingress protection degree IP67 - NEMA 4/4X
- A wide range of valves can be supplied with the operator

CONSTRUCTION

Solenoid enclosure	LPKF	Aluminium, cataphoresis black painting
	WSLPKF	Stainless steel (AISI 316L)
Bonnet	LPKF	Stainless steel
	WSLPKF	Stainless steel (AISI 316L)
Cover screws		Stainless steel
Core, core tube and plugnut		Stainless steel
Seals		VMQ
Upper disc		FPM
Lower- disc		NBR
Nameplate		Stainless steel
Coil connection		Embedded screw terminals

ELECTRICAL CHARACTERISTICS

Standard voltages

DC (=): 24V - 48V

AC (~): 24V - 48V - 115V - 230V / 50 Hz

SAFETY CODE

II2G Ex d IIB+H2 Gb T6..T4

II2D Ex t IIIC Db T85°C..T135°C IP67

TEMPERATURE CLASSIFICATION TABLES

The minimum allowable ambient temperature is -40°C for the operator.

Select the requested "T" classification from the temperature classification table (AC or DC), respecting the maximum ambient temperature and cold (20°C) electrical holding power value.

AC (~) Solenoids

DC (=) Solenoids

power level (watt)	insulation class	maximum ambient temp. °C ⁽⁵⁾ "T" classification		
		T6	T5	T4
Low power (LP)				
-	-	-	-	-
2,4 ⁽²⁾⁽⁴⁾	F	40	65	80

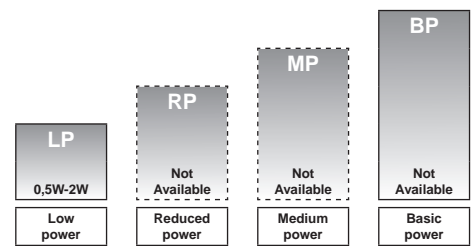
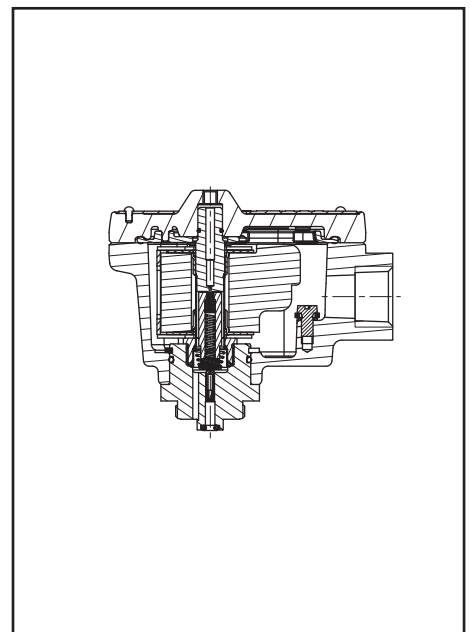
power level (watt)	insulation class	maximum ambient temp. °C ⁽⁵⁾ "T" classification		
		T6	T5	T4
Low power (LP)				
0,5 ⁽³⁾	F	60	-	-
2,1 ⁽⁴⁾	F	40	-	80

⁽²⁾ AC (~): rectified coil construction.

⁽³⁾ 24 V DC value.

⁽⁴⁾ Maximum cold wattage.

⁽⁵⁾ For the layout of the control circuit, see the installation and maintenance instructions at: www.asconumatics.eu



POWER LEVELS - cold electrical holding values (watt)

PREFIX TABLE

prefix							description	power level			
1	2	3	4	5	6	7		LP	RP	MP	BP
L	P	K	F				Flameproof- Aluminium (IEC/EN: 60079 / 61241)	●	-	-	-
W	S	L	P	K	F		Flameproof- St. steel (IEC/EN: 60079 / 61241)	●	-	-	-
						X	Other special constructions	-	-	-	-

- Available feature
- Not available

PRODUCT SELECTION GUIDE

(The selection can only be made in conjunction with the appropriate valve catalogue sheet)

STEP 1

Select basic valve catalogue number, including pipe thread identification letter from one of the specification tables on the separate catalogue pages.

Example: G551B305

STEP 2

Select voltage. Refer to standard voltages on page 1.

Example: 24V / DC

STEP 3

Select solenoid prefix (combination). Refer to the prefix table on this page and respect the indicated power level, cold electrical holding values and "T" classification mentioned on page 1.

NOTE: Make sure that the ambient temperature does not exceed the allowable valve temperature characteristics.

Example: LPKF

60°C ambient

Low Power (LP) 0,5 W

II2G Ex d IIB+H2 Gb T6

II2D Ex t IIIC Db IP67 T85°C

STEP 4

Final catalogue / ordering number.

Example:

LPKF 8551B305 24V / DC

ORDERING EXAMPLES:

LPKF	G	551B305	MO	24V
LPKF	G	551B305	MO	230V
WSLPKF	8	551B305		24V
WSLPKF	8	551B305		230V

prefix — pipe thread — basic number — voltage — suffix

INSTALLATION

- Multi language installation/maintenance instructions are included with each valve
- The solenoid valves can be mounted in any position without affecting operation
- Internal and external earthing connection
- The solenoid can be rotated 360° to select the most favourable position for cable entry

DIMENSIONS (mm), WEIGHT (kg)



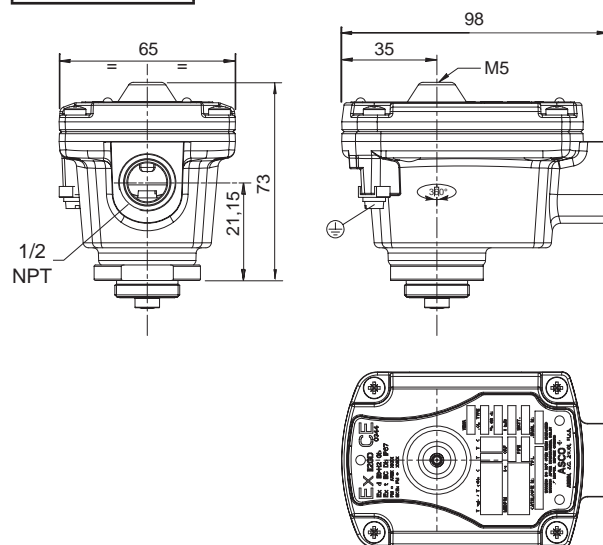
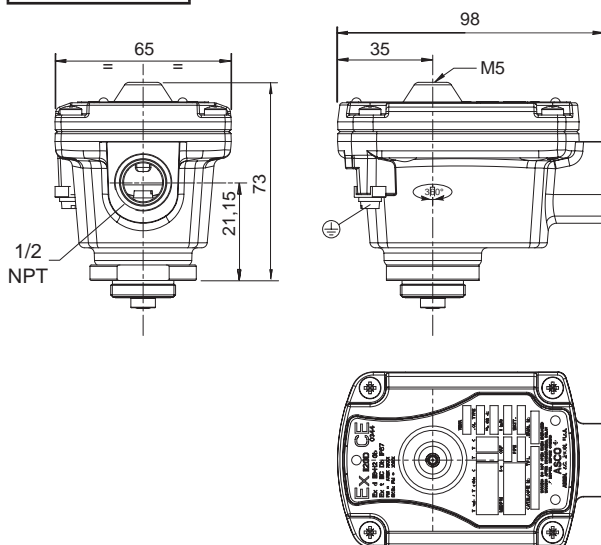
TYPE 01:

Prefix "LPKF" Solenoid
Aluminium, revêtement époxy
IEC and EN: 60079-1, 61241-1
II2G Ex d IIB+H2 Gb T6..T4
II2D Ex t IIIC Db IP67 T85°C..T135°C



TYPE 02:

Prefix "WSLPKF" Solenoid
Stainless steel, epoxy coated
IEC and EN: 60079-1, 61241-1
II2G Ex d IIB+H2 Gb T6..T4
II2D Ex t IIIC Db IP67 T85°C..T135°C



type	prefix	weight
01	LPKF	0,55
02	WSLPKF	1,16

All leaflets are available on: www.asconumatics.eu