



OPERATORS

for potentially explosive atmospheres
 II 2 G/D Ex mb II T6.. T3 / Ex mD 21, IP67
 encapsulated enclosure with integrated cable

Series
PV
(EMXX)

FEATURES

- Explosionproof operator, intended for use in potentially explosive atmospheres according to Directive ATEX 94/9/EC
- EC type examination certificate (BAS 98 ATEX 2168 X) and IECEx certificate (IECEx SIR 06.0109X) are in compliance with the International and European Standards EN-IEC 60079-0, EN-IEC 60079-18, EN-IEC 61241-0 and EN-IEC 61241-18
- Easy electrical installation by means of the moulded-in supply cable, standard length 2 meters
- A thermal fuse is fitted in the coil winding and any excessive heating due to prolonged over-voltage or a locked core will cause the thermal fuse to operate
- Ingress protection degree (IP67)
- A wide range of valves can be supplied with the operator

CONSTRUCTION

Solenoid enclosure
Core, tube, springs & plunget
Shading coil
Nameplate
Connection

EMXX
 Epoxy encapsulated
 Stainless Steel
 Copper or Silver
 Polyester
 Integral 3 core tube

ELECTRICAL CHARACTERISTICS

Standard voltages:
 DC (=): 24V - 48V
 AC (-): 24V - 48V - 115V - 230V / 50 Hz
 (Other voltages and 60 Hz on request)

SAFETY CODE

II 2G Ex mb II T6 to T3 (gas)
 II 2D Ex mD 21 IP67 to 200°C (dust)

TEMPERATURE CLASSIFICATION TABLES

The minimum allowable ambient temperature is -40°C for the operator.
 Select the requested "T" classification from the temperature classification tables (AC or DC), respecting the maximum ambient temperature and cold (20°C) electrical holding power values.

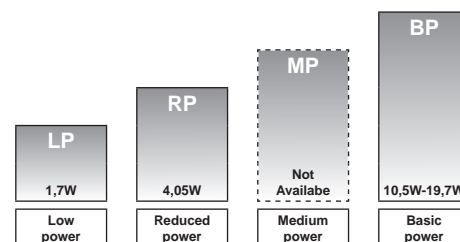
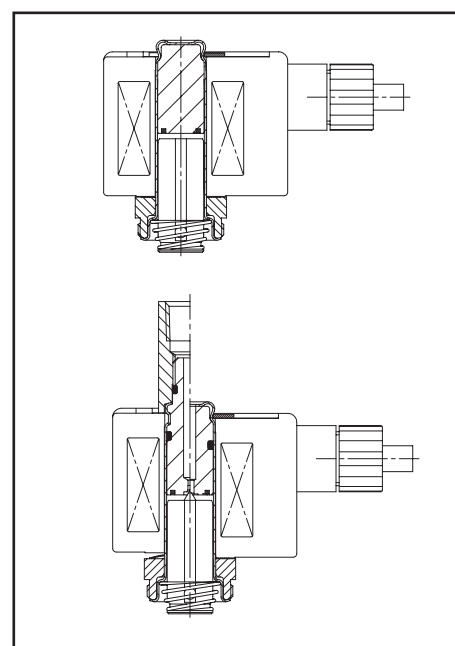
AC (-) Solenoids

power level (watt)	insulation class	maximum ambient ⁽¹⁾ temp. "T" classification			
		T6 (G) 85°C (D)	T5 (G) 100°C (D)	T4 (G) 135°C (D)	T3 (G) 200°C (D)
Reduced power (RP)					
4,05	F	-	-	-	65°C
Basic power (BP)					
10,5	F	-	-	-	65°C

DC (=) Solenoids

power level (watt)	insulation class	maximum ambient ⁽¹⁾ temp. "T" classification			
		T6 (G) 85°C (D)	T5 (G) 100°C (D)	T4 (G) 135°C (D)	T3 (G) 200°C (D)
Low power (LP)					
1,7	F	65°C	-	-	-
Basic power (BP)					
11,2	F	-	-	65°C	70°C
19,7	F	-	-	40°C	70°C

⁽¹⁾ Make sure that the selected ambient temperature does not exceed the allowable valve temperature characteristics as specified on the appropriate valve catalogue sheets



POWER LEVELS - cold electrical holding values (watt)

All leaflets are available on: www.asconumatics.eu



青岛秉诚自动化设备有限公司
 地址：中国·青岛市重庆南路99号海尔云街甲3号楼7F

服务热线：4006-918-365
 网址：http://www.ivalve.cc

PIC-8-40-GB
 传真：(86-532)585-10-365
 Email：sales@bechinas.com

PREFIX TABLE

prefix							description	power level			
1	2	3	4	5	6	7		LP	RP	MP	BP
P	V						Encapsulated epoxy moulded (EN/IEC 60079-18, 61241-18)* Other special constructions	●	●	-	●
						X		●	●	-	●

- Available feature
- Not available
- * ATEX solenoids are also approved according to EN 13463-1 (non electrical valves)

PRODUCT SELECTION GUIDE

(The selection can only be made in conjunction with the appropriate valve catalogue sheet)

STEP 1

Select basic valve catalogue number, including pipe thread identification letter from one of the specification tables on the separate catalogue pages.

Example: E316A001

STEP 2

Select voltage. Refer to standard voltages on page 1.

Example: 230V / 50Hz

STEP 3

Select solenoid prefix (combination). Refer to the prefix table on this page and respect the indicated power level, cold electrical holding values and "T" classification mentioned on page 1.

NOTE: Make sure that the ambient temperature does not exceed the allowable valve temperature characteristics.

Example: PV

65°C ambient

Basic Power (BP) 10.5W

II 2G Ex mb II T3

II 2D Ex mD 21 T200°C

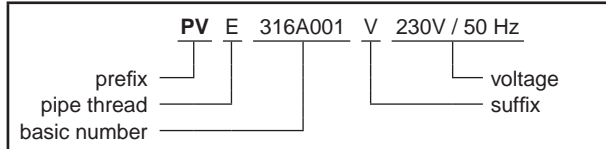
STEP 4

Final catalogue / ordering number.

Example:

PV E316A001 230V / 50 Hz

ORDERING EXAMPLES VALVES:



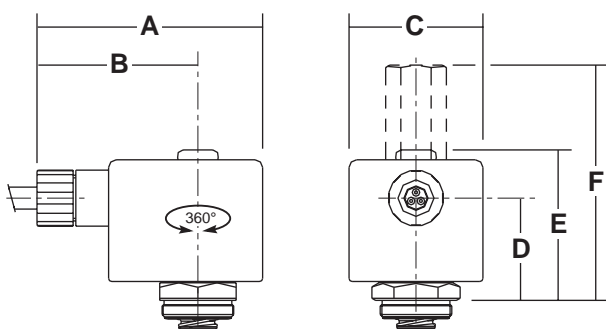
ADDITIONAL OPTIONS

- Various lead lengths from 1 meter up to 10 meters

INSTALLATION

- Multi language installation/maintenance instructions are included with each valve
- The solenoid operators can be mounted in any position without affecting operation (with the exception of manual reset versions)
- The operator can be rotated 360° to select the most favourable position for cable entry
- The solenoid shall be protected by a fuse capable of interrupting the prospective short circuit current

DIMENSIONS (mm), WEIGHT (kg)



type	A	B	C	D	E	F	weight
PV-MXX	75	53,5	44,5	33,6	49,4	77,3	0,348

All leaflets are available on: www.asconumatics.eu