



OPERATORS

for potentially explosive atmospheres
increased safety/encapsulation,
II 2 G/D Ex e mb II T6..T3 / Ex tD A21 IP67
steel or stainless steel enclosure

Series
EM
WSEM

FEATURES

- Explosion proof operator, intended for use in potentially explosive atmospheres, according to Directive ATEX 94/9/EC
- EC type examination certificate (KEMA 98ATEX2542 X) and IECEx certificate (IECEx KEM 08.0002X) are in compliance with the European Standards EN-IEC 60079-0, EN-IEC 60079-7, EN-IEC 60079-18, EN-IEC 61241-0 and EN-IEC 61241-1
- Easy electrical installation by means of a screw terminal coil
- Peak voltage suppression standard for DC executions
- Enclosure provided with integral strain relief for cables with an o.d. from 7 to 12 mm
- Ingress protection degree IP67
- A wide range of valves can be supplied with the operator

CONSTRUCTION

Solenoid enclosure	Zinc plated epoxy coated steel (Prefix EM) or AISI 316 SS (Prefix WSEM)
Cable gland	PA (polyamide) , M20x1,5
Cable gland sealing	NBR (nitrile)
Core, core tube and plugnut	Stainless steel
Shading coil	Copper or silver
Nameplate	Polyester
Coil connection	Embedded screw terminals

ELECTRICAL CHARACTERISTICS SAFETY CODE

Standard voltages:	II 2G Ex e mb II T6..T3 (gas)
DC (=): 24V - 48V	II 2D Ex tD A21 IP67 85°C to 200°C (dust)
AC (-): 24V - 48V - 115V - 230V / 50 Hz	
(Other voltages and 60 Hz on request)	

TEMPERATURE CLASSIFICATION TABLES

The minimum allowable ambient temperature is -40°C for the operator.
Select the requested "T" classification from the temperature classification tables (AC or DC), respecting the maximum ambient temperature and cold (20°C) electrical holding power values.

AC (-) Solenoids

power level (watt)	insulation class	maximum ambient ⁽¹⁾ temp. "T" classification			
		T6 (G) 85°C (D)	T5 (G) 100°C (D)	T4 (G) 135°C (D)	T3 (G) 200°C (D)
Low power (LP)					
1,2 ⁽³⁾	F/H	60°C	75°C	-	-
1,5 ⁽³⁾	F/H	40°C	55°C	-	-
1,85 ⁽³⁾	F/H	40°C	55°C	-	-
Reduced power (RP)					
3,7 ⁽³⁾	F/H	40°C	55°C	90°C	-
Medium power (MP)					
5,8 ⁽³⁾	F/H	-	40°C	75°C	90°C
Basic power (BP)					
6,0	F/H	-	-	-	40°C
9,0	F/H	-	-	-	40°C
10,0 ⁽³⁾	F/H	-	-	-	40°C
10,0 ⁽³⁾	F/H	-	-	40°C	65°C
10,5	F/H	-	-	-	40°C
13,0	F/H	-	-	-	40°C
13,6 ⁽³⁾	F/H	-	-	-	40°C
14,1 ⁽³⁾	F/H	-	-	-	40°C
16,5	F/H	-	-	-	40°C

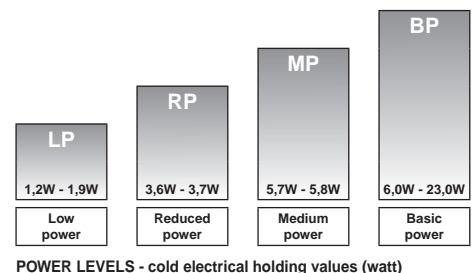
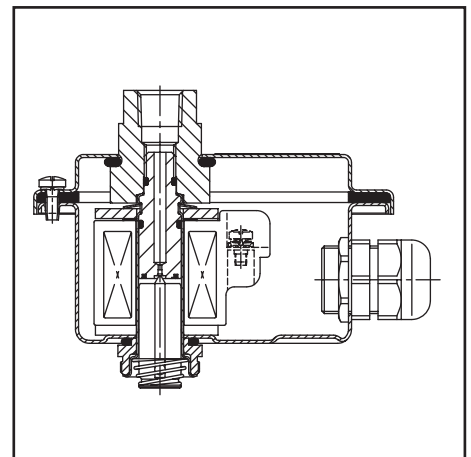
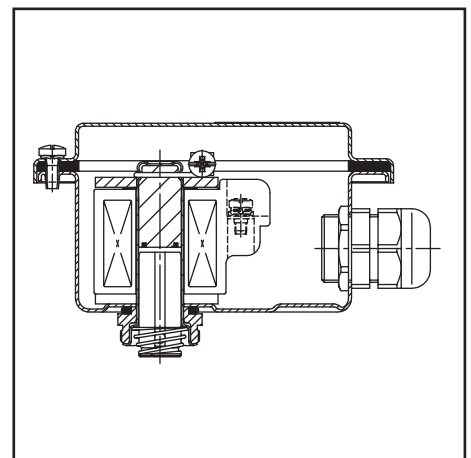
DC (=) Solenoids

power level (watt)	insulation class	maximum ambient ⁽¹⁾ temp. "T" classification			
		T6 (G) 85°C (D)	T5 (G) 100°C (D)	T4 (G) 135°C (D)	T3 (G) 200°C (D)
Low power (LP) ⁽²⁾					
1,3	F/H	60°C	75°C	-	-
1,7	F/H	40°C	55°C	-	-
1,8	F/H	40°C	55°C	-	-
Reduced power (RP)					
3,6	F/H	40°C	75°C	90°C	-
Medium power (MP)					
5,7	F/H	-	40°C	75°C	90°C
Basic power (BP)					
9,7	F/H	-	-	-	40°C
10,0	F/H	-	-	40°C	65°C
11,2	F/H	-	-	-	40°C
14,0	F/H	-	-	-	40°C
15,3	F/H	-	-	-	40°C
16,8	F/H	-	-	-	40°C
19,7	F/H	-	-	-	40°C
23,0	F/H	-	-	-	50°C

⁽¹⁾ Make sure that the selected ambient temperature does not exceed the allowable valve temperature characteristics as specified on the appropriate valve catalogue sheets

⁽²⁾ Low power coils do not contain diodes for voltage suppression

⁽³⁾ AC (-) rectified coil construction



POWER LEVELS - cold electrical holding values (watt)

80245GB-2011/R02

All leaflets are available on: www.asconumatics.eu



青岛秉诚自动化设备有限公司
地址：中国·青岛市重庆南路99号海尔云街甲3号楼7F

服务热线：4006-918-365
网址：<http://www.ivalve.com>

PIC-8-45-GB
传真：(86-532)585-10-365
Email：sales@bechinas.com

PREFIX TABLE

prefix							description	power level			
1	2	3	4	5	6	7		LP	RP	MP	BP
E	M						Waterproof IP67 - Metal enclosure (EN/IEC 60079-7+18, 61241-1)*	●	●	●	●
W	S						Waterproof IP67 - 316 SS enclosure	●	●	●	●
W	S	E	M				Waterproof IP67 - 316 SS enclosure (EN/IEC 60079-7+18, 61241-1)*	●	●	●	●
		E	T				Threaded conduit/hole (M20 x 1,5)	●	●	●	●
							Threaded conduit (1/2" NPT)	●	●	●	●
				H	C		Class H - Battery charging circuit	-	-	-	●
				H	T		Class H - High temperature	●	●	●	●
						X	Other special constructions	●	●	●	●

- Available feature
- Not available
- * ATEX solenoids are also approved according to EN 13463-1 (non electrical valves)

ORDERING EXAMPLES VALVES:

EM	8	327B001		230V / 50 Hz
WSEM	G	327B002	MS	24V / DC
EMET	G	327B001	V	230V / 50 Hz
EMET	B	320A192	MO	24V / DC
EM	B	320B174	MB	24V / DC
WSEMT	B	320A184	E	24V / DC
WSEM	B	314A301	V	230V / 50 Hz
EM	B	344E074		230V / 50 Hz
WSEMET	B	344A382	CO	240V / 60 Hz

prefix ————
 pipe thread ————
 basic number ————
 voltage ————
 suffix ————

PRODUCT SELECTION GUIDE

(The selection can only be made in conjunction with the appropriate valve catalogue sheet)

STEP 1

Select basic valve catalogue number, including pipe thread identification letter from one of the specification tables on the separate catalogue pages.

Example: 8327B002

STEP 2

Select voltage. Refer to standard voltages on page 1.

Example: 230V / 50/60Hz

STEP 3

Select solenoid prefix (combination). Refer to the prefix table on this page and respect the indicated power level, cold electrical holding values and "T" classification mentioned on page 1.

NOTE: Make sure that the ambient temperature does not exceed the allowable valve temperature characteristics.

Example: WSEM

60°C ambient

Basic Power (BP) 10,0W

II 2G Ex e mb II T3

II 2D Ex tD A21 IP67 T200°C

STEP 4

Final catalogue / ordering number.

Example:

WSEM 8327B002 230V / 50/60 Hz

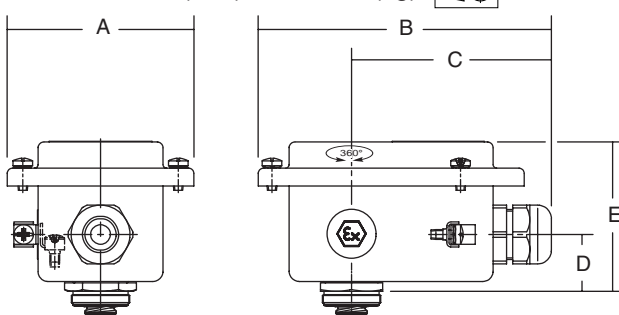
ADDITIONAL OPTIONS

- Special moulded-in solid state components for peak voltage suppression and/or AC (~) rectification
- Cable gland (cable o.d. 10 to 14 mm), TPL 16497
- Brass nickel plated cable gland
- 1/2" NPT (prefix "T") and M20x1,5 (prefix "ET") conduits (aluminium or 316 SS) available

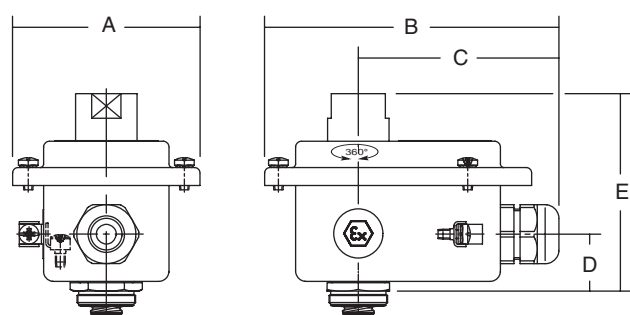
INSTALLATION

- Multi language installation/maintenance instructions are included with each valve
- The solenoid operators can be mounted in any position without affecting operation
- Refer to the nameplate for identification of the maximum cable temperature
- Internal and external earthing connection
- The operator can be rotated 360° to select the most favourable position for cable entry
- The solenoid shall be protected by a fuse capable of interrupting the prospective short circuit current

DIMENSIONS (mm), WEIGHT (kg)



series	A	B	C	D	E	weight
EM/WSEM-(M6)	77	120	82	26	64	0,48
EM/WSEM-(MXX)	77	120	82	23	62	0,55
EM/WSEM-(M12)	77	120	82	21	65	0,67



series	A	B	C	D	E	weight
EM/WSEM-(MXX)	77	120	82	23	80	0,68

All leaflets are available on: www.asconumatics.eu