

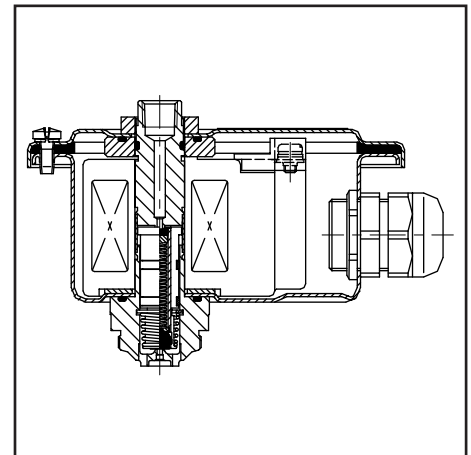
### FEATURES

- Explosion proof operator, intended for use in potentially explosive atmospheres, according to Directive ATEX 94/9/EC
- EC type examination certificate (KEMA 98 ATEX 2544) and IECEx certificate (IECEx KEM 08.0017) are in compliance with the International and European Standards IEC and EN: 60079-0, 60079-11, 60079-26, 61241-0 and 61241-11
- This highly efficient solenoid operates at very low power level (0.4W)
- The continuous duty class F polypropylene moulded spade plug connector coil contains moulded in solid state components for switch-off peak voltage suppression, independent polarity connection and electronic enhancement
- Enclosure provided with integral strain relief for cables with an o.d. from 7 to 12 mm
- Ingress protection degree IP67
- A wide range of valves can be supplied with the operator



### CONSTRUCTION

<b>Solenoid enclosure</b>	WPIS WSIS	Zinc plated steel (epoxy coated) Stainless steel, AISI 316
<b>Core, core tube &amp; plugnut</b>		Stainless steel
<b>Seals and discs</b>		NBR
<b>Riddering</b>		PTFE
<b>Connector specification</b>		ISO 4400
<b>Nameplate</b>		PA
<b>Cartridge</b>		Welded, packless AISI 430 SS
<b>Coil connection</b>		Embedded screw terminals
<b>Cable gland</b>		Polyamide (PA), M20x1.5



### ELECTRICAL CHARACTERISTICS

#### Standard voltages

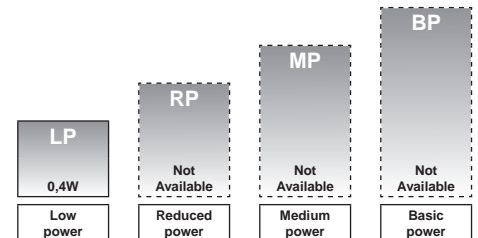
DC (=) : 24V nominal

A minimum current of 28 mA is necessary for optimal performance. The minimum series resistance required is 200 Ohms. The nominal value of the resistance of the coil is 158 Ohms. (at 20 degrees C)

### SAFETY CODE

II 1G Ex ia IIC T6 (gas)  
II Ex iaD 21 T85°C IP67 (dust)

prefix option	safety parameters				
	U <sub>i</sub> = (DC) (V)	I <sub>i</sub> (mA)	P <sub>i</sub> (W)	L <sub>i</sub> (mH)	C <sub>i</sub> (µF)
<b>Low power (LP)</b>					
WPIS	< 32	500	1,5	0	0
WSIS	< 32	500	1,5	0	0



POWER LEVELS - cold electrical holding values (watt)

### TEMPERATURE CLASSIFICATION TABLES

The minimum allowable ambient temperature is -40°C for the operator. Select the requested "T" classification from the temperature classification tables (AC or DC), respecting the maximum ambient temperature and cold (20°C) electrical holding power values.

DC (=) Solenoids

power level (watt)	insulation class	maximum ambient <sup>(1)</sup> temp. "T" classification		
		T6 (G) 85°C (D)	T5 (G) 100°C (D)	T4 (G) 135°C (D)
<b>Low power (LP)</b>				
0,4	F/H	60°C	-	-

### PREFIX TABLE

prefix							description	power level			
1	2	3	4	5	6	7		LP	RP	MP	BP
W	P			I	S		I.S. with Metal IP67 enclosure (EN/IEC 60079-11+26, 61241-11)*	○	-	-	-
W	S			I	S		I.S. with 316 SS IP67 enclosure (EN/IEC 60079-11+26, 61241-11)*	○	-	-	-
		E	T				Threaded conduit/hole (M20 x 1,5)	○	-	-	-
							Threaded conduit (1/2" NPT)	○	-	-	-
						X	Other special constructions	○	-	-	-

- Available feature in DC only
- Not available
- \* ATEX solenoids are also approved according to EN 13463-1 (non electrical valves)

### PRODUCT SELECTION GUIDE

(The selection can only be made in conjunction with the appropriate valve catalogue sheet)

#### STEP 1

Select basic valve catalogue number, including pipe thread identification letter from one of the specification tables on the separate catalogue pages.

**Example: B314A315 U**

#### STEP 2

Select voltage. Refer to standard voltages on page 1.

**Example: 24V DC**

#### STEP 3

Select solenoid prefix (combination). Refer to the prefix table on this page and respect the indicated power level, cold electrical holding values and "T" classification mentioned on page 1.

*NOTE: Make sure that the ambient temperature does not exceed the allowable valve temperature characteristics.*

**Example: WPIS**

**60°C ambient**

**Low Power (LP) 0.4W**

**II 1G Ex ia IIC T6**

**II Ex iaD 21 IP67 T85°C**

#### STEP 4

Final catalogue / ordering number.

**Example:**

**WPIS B314A315 U 24V DC**

### ORDERING EXAMPLES VALVES:

WPIS	8	552A317	
WPIS	G	551A308	MO
WSIS	B	307A335	U
WSIS	G	551B353	
WSIS	G	551B388	
WPIS	B	316A301	
WSIS	B	316A382	V 24V / DC

prefix ————  
 pipe thread ————  
 basic number ————

voltage ————  
 suffix ————

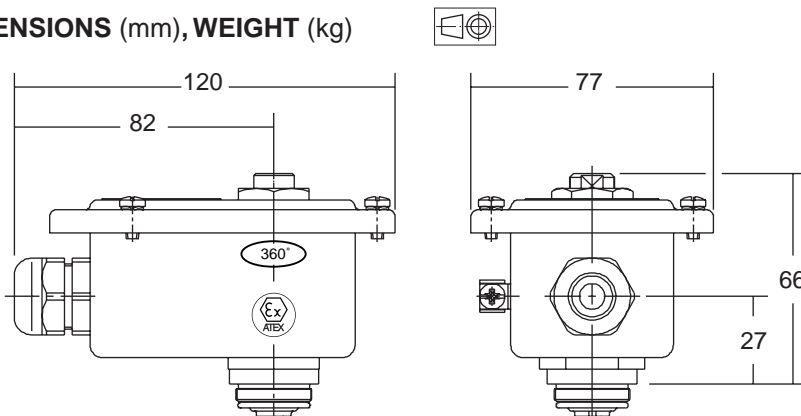
### ADDITIONAL OPTIONS

- Brass nickel plated or stainless steel cable gland
- Conduit hub, 1/2"NPT, M20x1,5, 3/4"NPT or M25x1,5 in aluminium or stainless steel

### INSTALLATION

- Multi language installation/maintenance instructions are included with each valve
- The solenoid operator can be mounted in any position without affecting operation
- Application of the operator, located within hazardous areas, is not permitted without the addition of an approved and classified device (such as barriers) located between the safe and hazardous area
- The operator can be rotated 360° to select the most favourable position for cable entry
- Solenoid enclosure has a cable gland with integral strain relief for cables with an o.d. from 7 to 12 mm and is provided with an internal and external connection facility for an earthing or bonding conductor

### DIMENSIONS (mm), WEIGHT (kg)



prefix	weight
WPIS	0,59 kg
WSIS	0,59 kg

All leaflets are available on: [www.asconumatics.eu](http://www.asconumatics.eu)