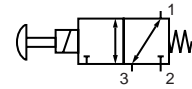




SOLENOID VALVES

no voltage release manual reset type
 II 2 G/D Ex d IIC / Ex t IIIC / IP66
 cast iron or stainless steel flameproof enclosure
 1/4 to 1/2

ATEX
U



3/2
Series
307

FEATURES

- Three way solenoid valves with orifice and pipe connections in valve body
- Valves do not require a minimum operating pressure
- Brass and stainless steel balanced poppet valves with full flow capacity (Ø 9mm)
- The solenoids conform to the International and European Standards IEC and EN: 60079-0, 60079-1 and 61241-1, with direct cable entry M20 x 1.5 mm
- The solenoid valves satisfy all relevant EC Directives

GENERAL

Differential pressure 0 - 10 bar [1 bar = 100kPa]
Maximum viscosity 65 cSt (mm²/s)
Response times 75 - 100 ms

| fluids (*) | temperature range (TS) | seal materials (*) |
|----------------------------|------------------------|--------------------|
| air, inert gas, water, oil | -38 to +50°C | NBR (nitrile) |



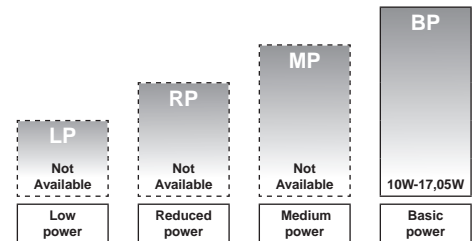
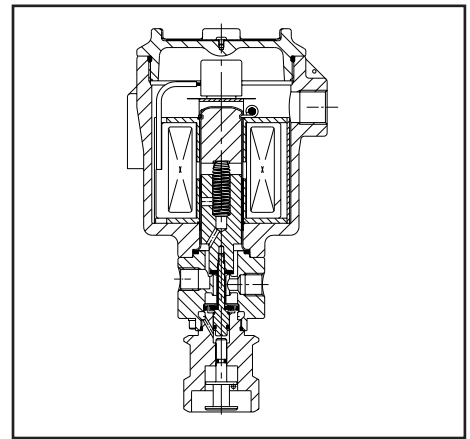
MATERIALS IN CONTACT WITH FLUID

(*) Ensure that the compatibility of the fluids in contact with the materials is verified

| | Brass body | Stainless steel body |
|-----------------------------|-----------------|----------------------|
| Body and seat | Brass | AISI 316 |
| Core tube | Stainless steel | Stainless steel |
| Core and plugnut | Stainless steel | Stainless steel |
| Springs | Stainless steel | Stainless steel |
| Poppet Stem | Stainless steel | Stainless steel |
| Sealings and poppets | NBR | NBR |

OTHER MATERIALS

| | | |
|-----------------------------|----------------|---|
| Electrical enclosure | Cast iron (NB) | Cast iron (NB) or Stainless steel (NA) |
|-----------------------------|----------------|---|



POWER LEVELS - cold electrical holding values (watt)

SPECIFICATIONS

| pipe size | orifice size | flow coefficient Kv | | operating pressure differential (bar) | | | power level BP | prefix optional solenoids | | | | | basic catalogue number | | |
|----------------------|--------------|---------------------|-------|---------------------------------------|---------------|----|-------------------------|---------------------------|--------------|-----------|-----------|-----------|------------------------|-------------------|-------------------|
| | | | | min. | max. (PS) | | | NEMA 7&9 | ATEX / IECEx | | | | | | IP65 |
| | | | | | air/water (*) | ~ | | | = | ~/= | Ex d | Ex d | | | |
| NPT | (mm) | (m ³ /h) | (l/m) | | | | | EF | NA | NB | PV | IS | SC | brass | stainless st. |
| U - Universal | | | | | | | | | | | | | | | |
| 1/4 | 9 | 0,68 | 14,0 | 0 | 10 | 10 | 14,2 ⁽¹⁾ /10 | - | ● | ● | - | - | - | B307C019 U | B307C009 U |
| 3/8 | 9 | 0,68 | 14,0 | 0 | 10 | 10 | 14,2 ⁽¹⁾ /10 | - | ● | ● | - | - | - | B307C049 U | B307C039 U |
| 1/2 | 9 | 0,68 | 14,0 | 0 | 10 | 10 | 14,2 ⁽¹⁾ /10 | - | ● | ● | - | - | - | B307C079 U | B307C069 U |

● Available feature - Not available ⁽¹⁾ Rectified Coil

All leaflets are available on: www.asconumatics.eu



青岛秉诚自动化设备有限公司
 地址：中国·青岛市重庆南路99号海尔云街甲3号楼7F

服务热线：4006-918-365
 网址：<http://www.ivalve.cc>

PIC-11-10-GB
 传真：(86-532)585-10-365
 Email：sales@bechinas.com

PREFIX TABLE

| prefix | | | | | | | description | power level | | | |
|--------|---|---|---|---|---|---|---|-------------|----|----|----|
| 1 | 2 | 3 | 4 | 5 | 6 | 7 | | LP | RP | MP | BP |
| N | A | E | T | | | | Threaded conduit/hole (M20 x 1,5) | - | - | - | ● |
| N | B | | | | | | Flameproof - 316 SS (EN/IEC 60079-1, 61241-1)* | - | - | - | ● |
| | | | | | | | Flameproof - Cast Iron (EN/IEC 60079-1, 61241-1)* | - | - | - | ● |
| | | | | | | X | Other special constructions | - | - | - | ● |

* ATEX solenoid valves are also approved according to EN 13463-1 (non electrical valves)

SUFFIX TABLE

| suffix | | | | | description | power level | | | |
|--------|---|---|---|---|--|-------------|----|----|----|
| 1 | 2 | 3 | 4 | 5 | | LP | RP | MP | BP |
| V | | | | | FPM (fluoroelastomer) | - | - | - | ● |
| | C | O | | | Epoxy coating on all external surfaces | - | - | - | ● |
| | M | B | | | Mounting bracket | - | - | - | ● |

● Available feature
- Not available

PRODUCT SELECTION GUIDE

STEP 1

Select basic catalogue number, including pipe thread identification letter. Refer to the specifications table on page 1.

Example: B307C009

STEP 2

Select prefix (combination). Refer to the specifications table on page 1 and the prefix table on page 2, respect the indicated power level.

Example: NBET

STEP 3

Select suffix (combination) if required. Refer to the suffix table on page 2, respect the indicated power level.

Example: MB

STEP 4

Select voltage. Refer to standard voltages on page 3.

Example: 115/50

STEP 5

Final catalogue / ordering number.

Example:

NBETB307C009MB 115/50

OPTIONS & ACCESSORIES

| catalogue number | spare part kit no. ⁽²⁾ | | mounting bracket no. |
|------------------|-----------------------------------|---------|-----------------------|
| | ~ | = | |
| NB B307C019 | C118260 | C118260 | 115065 ⁽¹⁾ |
| NB B307C049 | C118260 | C118260 | 115065 ⁽¹⁾ |
| NB B307C079 | C118260 | C118260 | 115065 ⁽¹⁾ |
| NA B307C009 | C118260 | C118260 | 115065 ⁽¹⁾ |
| NA B307C039 | C118260 | C118260 | 115065 ⁽¹⁾ |
| NA B307C069 | C118260 | C118260 | 115065 ⁽¹⁾ |
| NB B307C019V | C129207 | C129207 | 115065 ⁽¹⁾ |
| NB B307C049V | C129207 | C129207 | 115065 ⁽¹⁾ |
| NB B307C079V | C129207 | C129207 | 115065 ⁽¹⁾ |
| NA B307C009V | C129207 | C129207 | 115065 ⁽¹⁾ |
| NA B307C039V | C129207 | C129207 | 115065 ⁽¹⁾ |
| NA B307C069V | C129207 | C129207 | 115065 ⁽¹⁾ |

⁽¹⁾ Mounting holes in enclosure

⁽²⁾ Standard prefixes/suffixes are also applicable to kits

ORDERING EXAMPLES VALVES:

| | | | |
|------|---|---------|-----------------|
| NAET | B | 307C009 | 24V / 50 Hz |
| NBET | B | 307C019 | MB 230V / 50 Hz |
| NAET | B | 307C039 | V 230V / 50 Hz |
| NBET | B | 307C049 | CO 230V / 50 Hz |

prefix —
pipe thread —
basic number —

voltage —
suffix —

ORDERING EXAMPLES KITS:

| | |
|---|--------|
| C | 118260 |
| C | 129207 |

prefix —
basic number —

EXPLANATION OF TEMPERATURE RANGES OF SOLENOID VALVES

| | |
|------------------------------------|--|
| Valve temperature range | The valve temperature range (TS) is determined by the selected seal material, the temperature range for proper operation of the valve and sometimes by the fluid (e.g. steam) |
| Operator ambient temperature range | The operator ambient temperature range is determined by the selected power level and the safety code |
| Total temperature range | The temperature range of the complete solenoid valve is determined by the limitations of both temperature ranges above |

ELECTRICAL CHARACTERISTICS

Coil insulation class F
 Electrical safety IEC 335

Standard voltages: DC (=) 24V - 48V
 AC (~) 24V - 48V - 115V - 230V/50Hz; Other voltages and 60Hz are available on request

| prefix option | power ratings | | | | operator ambient temperature range (TS) (C°) ⁽¹⁾ | safety code | electrical enclosure protection (EN 60529) | replacement coil / kit | | type ⁽³⁾ |
|-------------------------|---------------|-----------|----------------------|------------|--|----------------------------------|--|------------------------|------------|---------------------|
| | inrush ~ | holding ~ | | hot/cold = | | | | ~ | = | |
| | (VA) | (VA) | (W) | (W) | | | | 230V/50 Hz | 24V/DC | |
| Basic Power (BP) | | | | | | | | | | |
| NB | - | - | - | 8,2/10 | -38 to +50 | II2G Ex d IIC T5, II2D Ex t IIIC | IP66 cast iron | - | 108429-001 | 01/02/03 |
| NB | 17,05 | 17,05 | 17,05 ⁽²⁾ | - | -38 to +50 | II2G Ex d IIC T4, II2D Ex t IIIC | IP66 cast iron | 118227-007 | - | 01/02/03 |
| NA | - | - | - | 8,2/10 | -38 to +50 | II2G Ex d IIC T4, II2D Ex t IIIC | IP66 st. steel | - | 108429-001 | 01/02/03 |
| NA | 17,05 | 17,05 | 17,05 ⁽²⁾ | - | -38 to +50 | II2G Ex d IIC T3, II2D Ex t IIIC | IP66 st. steel | 129243-007 | - | 01/02/03 |

⁽¹⁾ Temperature range can be limited by sealings
⁽²⁾ Rectified Coil
⁽³⁾ Refer to the dimensional drawings on page 4

ADDITIONAL OPTIONS

- 1/2" NPT and M20 x 1,5 (prefix "ET") conduit entry available for both housings
- Voltage suppressors are available on DC constructions

INSTALLATION

- Multi language installation/maintenance instructions are included with each valve
- The solenoid valves can be mounted in any position without affecting operation
- Threaded pipe connection identifier is B = NPT (ANSI 1.20.3)
- Declarations of conformity are available on request

DIMENSIONS (mm), WEIGHT (kg)



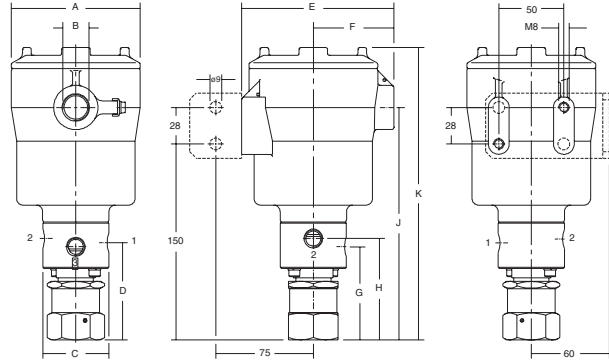
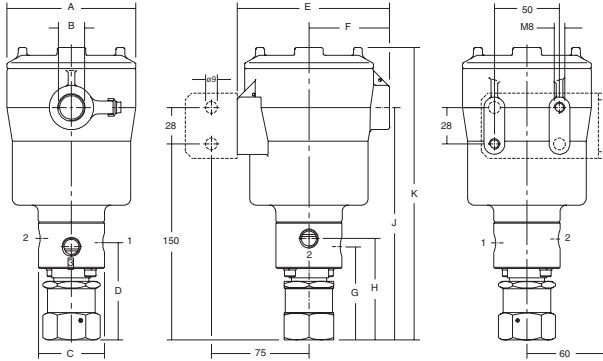
TYPE 01:
Stainless steel / Cast Iron
NA / NB: EN/IEC 60079-1, 61241-1

B307C008/C018



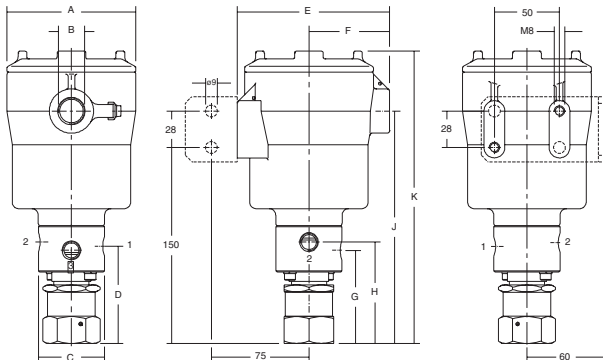
TYPE 02:
Stainless steel / Cast Iron
NA / NB: EN/IEC 60079-1, 61241-1

B307C038/C048



TYPE 03:
Stainless steel / Cast Iron
NA / NB: EN/IEC 60079-1, 61241-1

B307C068/C078



| type | prefix/option | power level | A | B | | C | D | E | F | G | H | J | K | weight | |
|------|---------------|-------------|----|---------|------------|----|----|-----|----|----|----|-----|-----|---------|---------|
| | | | | NA, NB | NAET, NBET | | | | | | | | | NA | NB |
| 01 | NA, NB | BP | 99 | 1/2 NPT | M20 x 1,5 | 51 | 33 | 117 | 55 | 30 | 37 | 137 | 185 | 4,90 kg | 4,50 kg |
| 02 | NA, NB | BP | 99 | 1/2 NPT | M20 x 1,5 | 51 | 33 | 117 | 55 | 39 | 37 | 137 | 185 | 4,90 kg | 4,50 kg |
| 03 | NA, NB | BP | 99 | 1/2 NPT | M20 x 1,5 | 64 | 33 | 117 | 55 | 33 | 33 | 137 | 185 | 4,90 kg | 4,50 kg |

MOUNTING BRACKET

