

FEATURES

- Stainless steel filter/regulator intended for use in potentially explosive atmospheres caused by gases, vapours, mists and/or dust according to: (ATEX directive 94/9/EC).
- SAFETY CODE:** Ⓜ II 2G/D c IIC X T85°C (T6) (ZONE 1-21) Explosion group IIC
- Compliance with the essential health and safety requirements has been assured with European Standards **EN 13463-1** and **EN 13463-5**
- Filter/Regulator with reinforced diaphragm with PTFE lining and all metal parts in 316L stainless steel for a standard pressure of max. 20 bar
- Built-in overpressure relieving function
- Filtering effect by centrifugation of the air and 50 microns filtering element
- Large operating temperature -40°C to +80°C
- Body, bonnet and internal parts in 316L stainless steel according to ASTM A 182/NACE MR 01.75
- Large bowl capacity

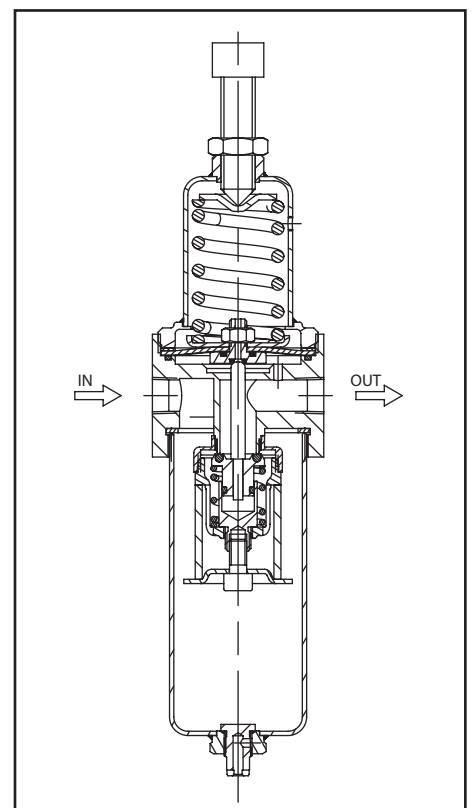
GENERAL

Fluids	Compressed air and neutral gas
Ports	1/4 NPT and 1/2 NPT
Maximum inlet pressure	20 bar (16 bar for automatic drain)
Adjustable pressure	0,8 to 8 bar [1bar = 100 kPa]
Hysteresis	< 0,2 bar
Filtering size	50 µm
Ambient temperature	-40° to +80°C*
Maximum flow (Qv at 6.3 bar)	See specifications and charts

CONSTRUCTION

Body	AISI 316L SS
Bowl	AISI 316L SS
Filtering element	AISI 316L SS
Diaphragm	EPDM with PTFE lining and NBR O-rings
Condensate drain	Manual drain
Pressure adjusting screw	Allen head screw with locking nut

* -50/-55/-60°C low temperature options are available on request.



SPECIFICATIONS

port size	type	bowl capacity	filtering capacity	adjustable pressure	maximum flow at 6,3 bar pressure setpoint and ΔP of 1 bar/setpoint		catalogue number		
							FILTER / REGULATOR		
NPT		(cl)	(µm)	(bar)	l/min. (ANR)	dm³/s (ANR)	gauge connection NPT	without pressure gauge	with 316L SS pressure gauge
50 µm filtration 0,8 - 8 bar adjustment - 316L Stainless Steel									
1/4	314 ST	130	50	0,8 - 8	800 ⁽¹⁾	14	1/4	34208001	34208002
1/2	312 ST	180	50	0,8 - 8	1500 ⁽²⁾	25	1/4	34208003	34208004
5 µm filtration 0,8 - 8 bar adjustment - 316L Stainless Steel									
1/4	314 ST	130	5	0,8 - 8	680 ⁽³⁾	14	1/4	34208005	34208006
1/2	312 ST	180	5	0,8 - 8	1275 ⁽⁴⁾	25	1/4	34208007	34208008
50 µm filtration 0,8 - 8 bar adjustment - 316L Stainless Steel - Automatic Drain									
1/4	314 ST	130	50	0,8 - 8	800 ⁽¹⁾	14	1/4	34208011	34208012
1/2	312 ST	180	50	0,8 - 8	1500 ⁽²⁾	25	1/4	34208013	34208014
5 µm filtration 0,8 - 8 bar adjustment - 316L Stainless Steel - Automatic Drain									
1/4	314 ST	130	5	0,8 - 8	680 ⁽³⁾	14	1/4	34208015	34208016
1/2	312 ST	180	5	0,8 - 8	1275 ⁽⁴⁾	25	1/4	34208017	34208018

⁽¹⁾ KV = 0,67 [m³/h] and 11,1 [l/min]

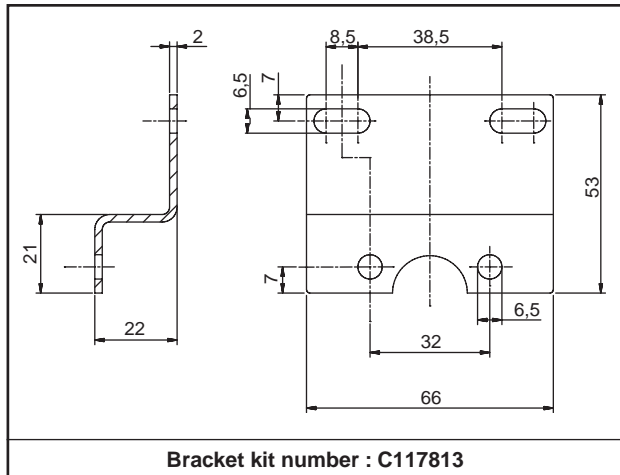
⁽³⁾ KV = 0,56 [m³/h] and 9,3 [l/min]

⁽²⁾ KV = 1,25 [m³/h] and 20,8 [l/min]

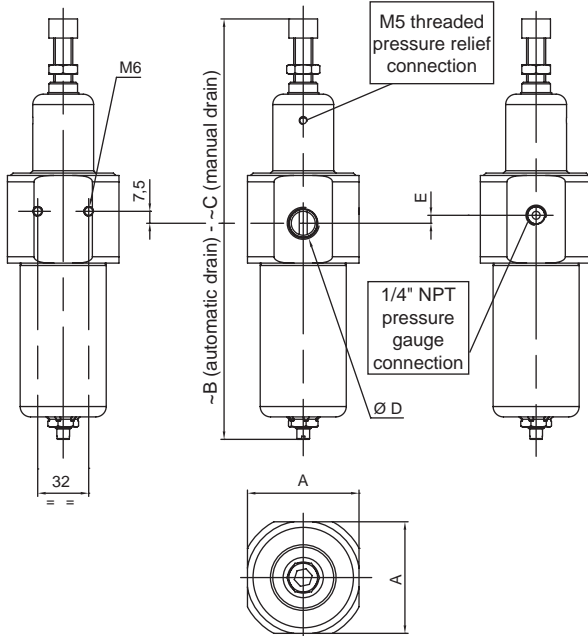
⁽⁴⁾ KV = 1,06 [m³/h] and 17,6 [l/min]

All leaflets are available on: www.asconumatics.eu

MOUNTING BRACKET

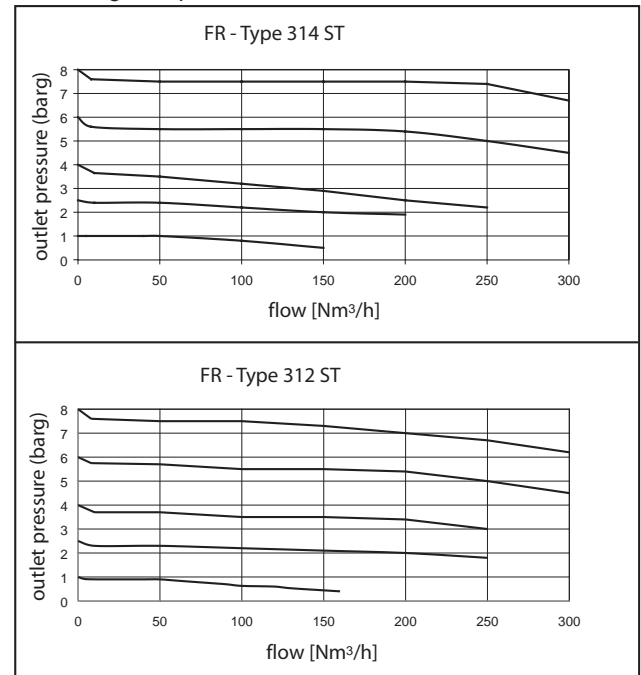


DIMENSIONS (mm), WEIGHT (kg)



PRESSURE DROP vs. AIR FLOW CURVE

at 20 barg inlet pressure



OPTIONS & ACCESSORIES

spare parts kits			
catalogue number	type	filtration	kit number
34208001/002/011/012	314 ST	50 µm	C117873
34208003/004/013/014	312 ST	50 µm	C117874
34208005/006/015/016	314 ST	5 µm	C117875
34208007/008/017/018	312 ST	5 µm	C117876

catalogue number	A	B	C	ØD	E	weight
34208001/002/005/006	60	264	257	1/4	1,5	1,35 kg
34208003/004/007/008	70	270	265	1/2	5	1,90 kg
34208011/012/015/016	60	264	257	1/4	1,5	1,55 kg
34208013/014/017/018	70	270	265	1/2	5	2,10 kg

ADDITIONAL OPTIONS

- Other pipe threads are available on request
- Threaded connections BSP or with flanges
- EPDM/FPM gaskets
- With a 5 µm filtering element the max. flow is reduced by approx. 15%
- Stainless steel pressure gauge (0-10 bar scale division), kit number: C117814. Other scale divisions on request

INSTALLATION

- Installation/maintenance instructions are included with each filter/regulator
- Filter/Regulator must be installed with the bowl in vertical position
- Air flow direction indicated by an arrow
- Pipe connection has standard thread according to NPT (ANSI 1.20.3)