

GENERAL

Operating pressure 0,5 to 10 bar
Ambient temperature range -10°C to +60°C

fluids (*)	temperature range (TS)	seal material (*)
air, inert gas, filtered lubricated or not	-10°C to +60°C	NBR (nitrile)

MATERIALS IN CONTACT WITH FLUID

(*) Ensure that the compatibility of the fluids in contact with the materials is verified

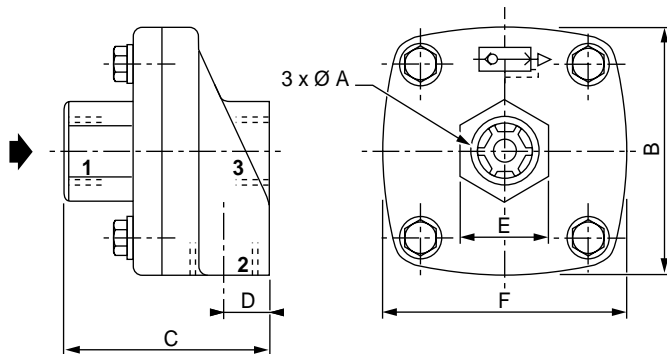
Body Light alloy
Diaphragm NBR

SPECIFICATIONS

pipe size	orifice size	catalogue number
(G)	(mm)	
1/4	12	34600136
3/8	12	34600137
1/2	20	34600138
3/4	20	34600139



DIMENSIONS (mm), WEIGHT (kg)



catalogue number	Ø A	B	C	D	E	F	weight
34600136	G 1/4	64	52	13	25	64	0,185
34600137	G 3/8	64	52	13	25	64	0,185
34600138	G 1/2	85	72	19	38	97	0,420
34600139	G 3/4	85	72	19	38	97	0,390

