

#### FEATURES

- Compact, 3-port valves have oversized orifice for quick exhaust of cylinders, brakes, actuators, clutches, etc.
- The valves are recommended for pilot applications with high flow, wide pressure ranges and quick exhaust flow
- Allow use of smaller pipe lines and control components
- When used as a shuttle valve, high pressure from the two inlets exits through the common outlet
- Special execution for low ambient temperatures
- Mountable in any position
- The quick exhaust valves satisfy all relevant EC Directives

#### GENERAL

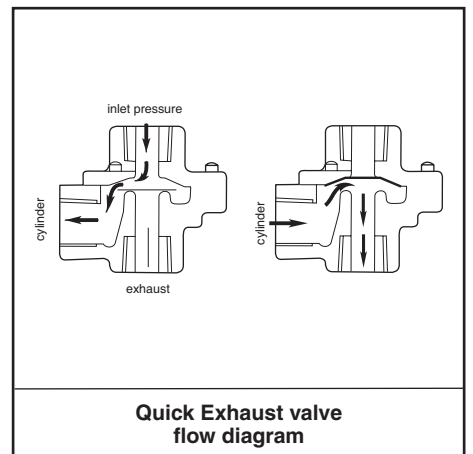
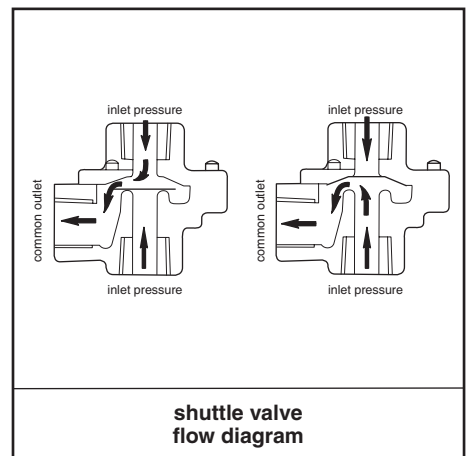
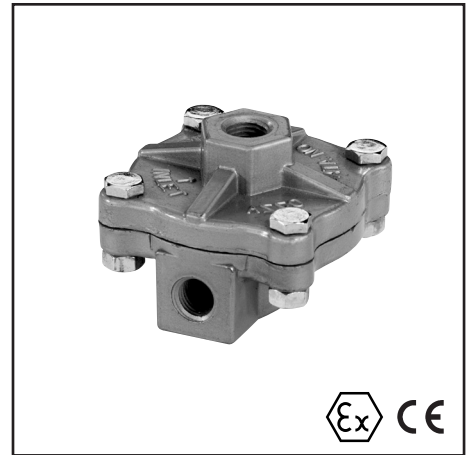
Differential pressure	0,35 - 10,0 bar [1 bar = 100kPa]
Maximum viscosity	65cST (mm <sup>2</sup> /s)
Response times	50 - 100 ms

fluids (*)	temperature range (TS)	seal materials (*)
air, inert gas	-20°C to + 80°C -40°C to + 85°C	NBR (nitrile) TPE (thermoplastic elastomer)

#### MATERIALS IN CONTACT WITH FLUID

(\*) Ensure that the compatibility of the fluids in contact with the materials is verified

	Zinc body	Stainless steel body
Body	Die-Cast zinc	AISI 300 SS
Bonnet	Die-Cast zinc	AISI 300 SS
Sealings	NBR	NBR
Diaphragm	NBR	TPE



#### SPECIFICATIONS

pipe size	flow coefficient Kv				operating pressure differential (bar)		basic catalogue number		type
	port				min.	max. (PS)	zinc	stainless steel	
	P → C	C → E	P → C	C → E					
NPT	(m <sup>3</sup> /h)				(l/min)				
<b>Zinc body</b>									
1/8	0,6	0,7	10,0	11,7	0,35	8,6	V043A005	-	01
1/4	0,7	0,9	11,7	15,0	0,35	8,6	V043A006	-	01
1/4	1,7	1,7	28,3	28,3	0,35	8,6	V043A001	-	02
3/8	3,0	3,9	50,0	65,0	0,35	8,6	V043A002	-	02
<b>Stainless Steel body</b>									
1/4	0,7	1,2	11,7	20,0	1,0	10,0	-	V043A051	03

All leaflets are available on: [www.asconumatics.eu](http://www.asconumatics.eu)

### SUFFIX TABLE

suffix					description
1	2	3	4	5	
G	D				Non-electrical, 2 GD c, construction safety, gas/dust (EN 13463-5)

### PRODUCT SELECTION GUIDE

#### STEP 1

Select basic catalogue number.  
Refer to the specifications table on page 1.

**Example: V043A051**

#### STEP 2

Select suffix (combination) if required.  
Refer to the suffix table on page 2, respect the indicated power level.

**Example: GD**

#### STEP 3

Final catalogue / ordering number.

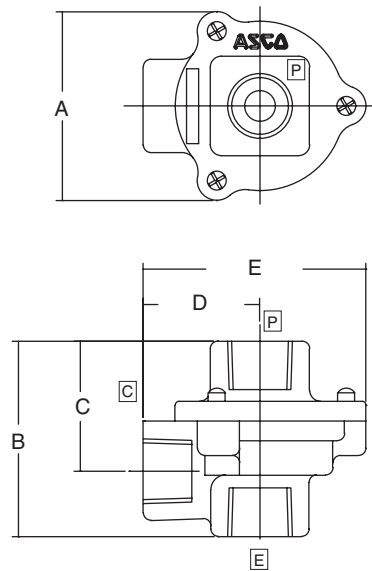
**Example:**

**V043A051GD**

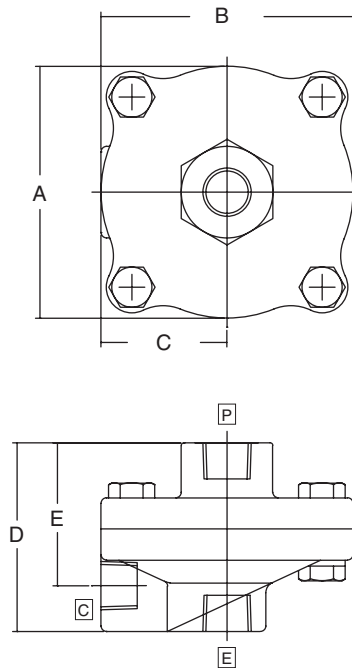
### DIMENSIONS (mm), WEIGHT (kg)



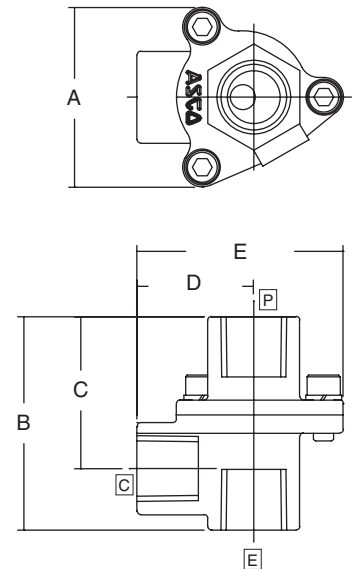
#### TYPE 01



#### TYPE 02



#### TYPE 03



type	A	B	C	D	E	weight
01	40	40	27	24	46	0,15 kg
02	70	70	35	52	40	0,25 kg
03	37	44	31	24	43	0,45 kg

### INSTALLATION

- Installation/maintenance instructions are included with each valve
- The valves can be mounted in any position without affecting operation
- Threaded pipe connection identifier is B = NPT (ANSI 1.20.3)
- Declarations of conformity are available on request

All leaflets are available on: [www.asconumatics.eu](http://www.asconumatics.eu)

14-35-8

**BCAE**  
Automation Solutions

青岛秉诚自动化设备有限公司  
地址：中国·青岛市重庆南路99号海尔云街甲3号楼7F

服务热线：4006-918-365  
网址：<http://www.ivalve.cc>

传真：(86-532)585-10-365  
Email：[sales@bechinas.com](mailto:sales@bechinas.com)