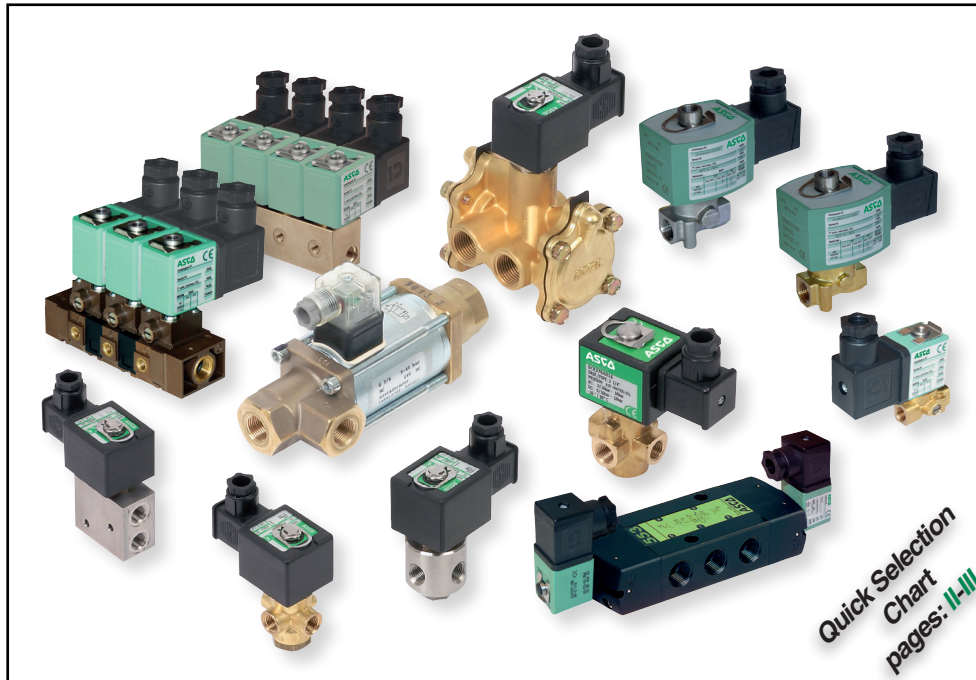


3/2 SOLENOID VALVES DIRECT AND PILOT OPERATED

Product Index



Function	ΔP		Temperature		Pipe connections	Series	Page	
	min. (bar)	max. (bar)	min. (°C)	max. (°C)				
BRASS BODY								
NC-NO-U	0	15	-10	+100	1/8 - 1/4	356	3	
	0	20	-25	+90	1/4	314	5	
	0	55	-20	+90	In-line	1/8 - 1/4	320	11
	0	16	-25	+80	In-line	1/4	370	15
U	0	10	-50	+120	1/4 - 1/2	327	17	
NC-NO	0	40	-20	+100	Coaxial	3/8 .. 1	387	19
	0	10	-10	+100	Manifolds	1/8	356	31
	0	16	-25	+80		pad mount (1/4-1/2)	374	33
NC	0	10	-40	+60	Monostable/bistable, IP67, IEC 61508	1/4	551	43
	0	17	-20	+80		3/8 .. 1	316	49
STAINLESS STEEL BODY								
NC	0	7	0	+60	M5 / pad mount	065	1	
NC-NO-U	0	15	-10	+100	1/8 - 1/4	356	3	
	0	20	-25	+90	1/4	314	5	
	0	20	-20	+90	In-line	1/8 - 1/4	320	11
	0	16	-25	+80	In-line	1/4	370	15
U	0	10	-50	+120	1/4 - 1/2	327	17	
ALUMINIUM BODY								
NC	0	12	-25	+90	ISO 15218 (CNOMO, size 30)	pad mount	374	35
	2	10	-25	+60	Monostable/bistable, IEC 61508	1/4 - 1/2	551-553	37
	0	10	-25	+60	Monostable/bistable, IP67, CEI 61508	1/4 - 1/2	551-553	41
SYNTHETIC BODY								
NC	0	10	-25	+60	ISO 15218 (CNOMO, size 15)	pad mount (M5-instant fittings)	302	21
NC-NO	0	10	-10	+60	ISO 15218 (CNOMO, size 30)	pad mount (1/8-instant fittings)	189	27
	0	15	-10	+80		pad mount (M5)	109	29
ACCESSORIES AND OPTIONS								
Supply rail for series 551/553						881	45	

(Potentially explosive atmospheres, see page: [IV](#))

All leaflets are available on: www.asco.com

00066GB-2018/R01
Availability, design and specifications are subject to change without notice. All rights reserved.

pipe connections										body material				max. operating pressure differential (bar)										fluid temperature range		power coil		series	page					
- internal thread - internal thread, in-line - pad mount - pad mount, pneumatic-electric - pad mount, CNOMO size 15 - pad mount, CNOMO size 30 - NAMUR interface - manifold subbases - instant fittings										brass stainless steel aluminium synthetic				AC (~) DC (=)										(°C)		(W)								
M5	1/8	1/4	3/8	1/2	3/4	1	1 1/4	1 1/2	2	instant fitting 4 mm OD	pad mount	brass	stainless steel	aluminium	synthetic	orifice size (mm) / DN	min. operating pressure differential (bar)	air	inert gases	water	oil	other liquids	vacuum	air	inert gases	water	oil	other liquids	vacuum	min.	max.	AC (~)	DC (=)	
NORMALLY CLOSED (NC)																																		
																0,6	0	-	-	-	-	-	7	-	-	-	-	-	0	+60	-	2,1	065	1
																2	0	-	-	-	-	-	1,5	-	-	-	-	-	0	+60	-	2,1		
																1,2	0	15	-	15	-	-	15	-	15	-	-	-	-10	+100	4	5,5	356	3
																2,4	0	4	-	4	-	-	4	-	4	-	-	-	-10	+100	4	5,5		
																1,6	0	10	-	10	-	-	10	-	10	-	-	-	-10	+100	5	7		
																2,4	0	4	-	4	-	-	4	-	4	-	-	-	-10	+100	5	7		
																1,2	0	20	-	20	-	-	17	-	17	-	-	-	-25	-90	10,1	11,6	314	5
																2,4	0	14	-	14	13	-	10	-	8	6	-	-	-25	-90	10,1	11,6		
																3,2	0	10	-	10	6,5	-	6	-	6	4,5	-	-	-25	-90	10,1	11,6		
																4	0	5	-	5	-	-	3	-	3	-	-	-25	-90	10,1	11,6			
																5,6	0	2,5	-	2,5	-	-	1,7	-	1,7	-	-	-25	-90	10,1	11,6			
																7,1	0	1,7	-	1,7	-	-	1	-	1	-	-	-25	-90	10,1	11,6			
																1,2	0	20	-	20	-	-	17	-	17	-	-	-20	+40	9	9,7			
																0,8	0	50	-	50	-	-	35	-	35	-	-	-20	+40	16,7	11,2			
																1,6	0	15	-	15	-	-	11	-	11	-	-	-20	+90	16,7	11,2			
																3,2	0	6	-	6	-	-	4,5	-	4,5	-	-	-20	+90	10,5	11,2			
																4,4	0	3	-	3	-	-	1,7	-	1,7	-	-	-20	+90	10,5	11,2			
																2	0	16	-	16	-	-	8	-	8	-	-	-25	+80	8	10,8			
																3,8	0	5	-	5	-	-	2	-	2	-	-	-25	+80	8	10,8			
																10	0	12/40	-	12/40	-	-	12/40	-	12/40	-	-	-20	+100	35	42			
																25	0	12/40	-	12/40	-	-	12/40	-	12/40	-	-	-20	+100	60	69			
																0,6	0	10	-	-	-	-	10	-	-	-	-	-25	+40	1,2	0,55			
																1,5	0	3	-	-	-	-	3	-	-	-	-	-25	+40	2,1	2,65			
																1,2	0	10	-	-	-	-	10	-	-	-	-	-10	+60	2,5	3			
																1	0	15	-	15	-	-	15	-	15	-	-	-10	+80	2,5	3			
																2,5	0	3	-	3	-	-	3	-	3	-	-	-10	+80	2,5	3			
																1,6	0	10	-	10	-	-	10	-	10	-	-	-10	+100	4	5,5			
																2,4	0	4	-	4	-	-	4	-	4	-	-	-10	+100	4	5,5			
																2	0	16	-	16	-	-	16	-	16	-	-	-25	+80	10,5	11,2			
																2,7	0	10	-	10	-	-	10	-	10	-	-	-25	+80	10,5	11,2			
																2	0	12	-	-	-	-	12	-	-	-	-	-25	+60/90	10,5	11,2			
																16	0,7	17	-	17	-	-	17	-	17	-	-	-20	+80	16,7	16,8			
																18	0,7	8,5	-	8,5	-	-	8,5	-	8,5	-	-	-20	+80	6	9,7			
																18-25	0,7	8,5	-	8,5	-	-	8,5	-	8,5	-	-	-20	+80	6	9,7			
NORMALLY CLOSED (NC) - MONOSTABLE/BISTABLE FUNCTION (1)																																		
																6	2 (0)	10	-	-	-	-	10	-	-	-	-	-25	+60	1,1	1,2	551	37	
																13	2 (0)	10	-	-	-	-	10	-	-	-	-	-25	+60	10,5	11,2	553	41	
																6	2 (0)	10	-	-	-	-	10	-	-	-	-	-40	+60	10,5	11,2	551	43	

(Potentially explosive atmospheres, see page: IV)

(1) 551-553: monostable function, certified IEC 61508 Functional Safety Data.

All leaflets are available on: www.asco.com

pipe connections		body material	orifice size (mm) / DN	min. operating pressure differential (bar)	max. operating pressure differential (bar)								fluid temperature range		power coil		series	page					
- internal thread					AC (~)				DC (=)				°C		(W)								
- internal thread, in-line					air	inert gases	water	oil	other liquids	vacuum	air	inert gases	water	oil	other liquids	vacuum			min.	max.	AC (~)	DC (=)	
M5	1/8	brass	stainless steel	aluminium	synthetic	air	inert gases	water	oil	other liquids	vacuum	air	inert gases	water	oil	other liquids	vacuum	min.	max.	AC (~)	DC (=)	series	page
NORMALLY OPEN (NO)																							
				1.6	0	8.5	-	8.5	-	-	8.5	-	8.5	-	-	-	-	-10	+100	4	5.5	356	3
				1.2	0	20	-	20	-	-	17	-	17	-	-	-	-	-	-	-	-	-	-
				2.4	0	12	-	12	-	-	11	-	11	-	-	-	-	-	-	-	-	-	-
				3.2	0	11	-	11	-	-	10	-	10	8	-	-	-	-25	-90	10,1	11,6	314	5
				4	0	10	-	10	-	-	4	-	4	-	-	-	-	-	-	-	-	-	-
				5.6	0	6.5	-	6.5	-	-	2.5	-	2.5	-	-	-	-	-	-	-	-	-	-
				7.1	0	4	-	4	-	-	1.7	-	1.7	-	-	-	-	-	-	-	-	-	-
				1.2	0	20	-	20	-	-	17	-	17	-	-	-	-	-20	+40	9	9,7		
				0.8	0	55	-	55	-	-	40	-	40	-	-	-	-	-20	+40	16,7	11,2		
				1.6	0	16	-	17	-	-	11	-	11	-	-	-	-	-20	+90	16,7	11,2	320	11
				1.6	0	9	-	9	-	-	9	-	9	-	-	-	-	-20	+90	6	9,7		
				3.2	0	5	-	5	-	-	4	-	4	-	-	-	-	-20	+90	10,5	11,2		
				4.4	0	3	-	3	-	-	2	-	2	-	-	-	-	-20	+90	10,5	11,2		
				2	0	10	-	10	-	-	10	-	10	-	-	-	-	-20	+90	10,5	11,2	370	15
				3.8	0	3	-	3	-	-	3	-	3	-	-	-	-	-25	+80	10,5	11,2		
				10	0	12/40		-		12/40		-		-		-		-20	+100	35	42	387	19
				25	0	12/40		-		12/40		-		-		-		-20	+100	60	69		
				1.2	0	6	-	-	-	-	6	-	-	-	-	-	-	-10	+60	2,5	3	189	27
				1.5	0	8	-	-	8	-	4	-	-	4	-	-	-	-10	+80	2,5	3	109	29
				16	0.7	17	-	17	-	-	17	-	17	-	-	-	-	-20	+80	16,7	16,8		
				16	0.7	8.5	-	8.5	-	-	8.5	-	8.5	-	-	-	-	-20	+80	6	9,7	316	49
				18	0.7	17	-	17	-	-	17	-	17	-	-	-	-	-20	+80	16,7	16,8		
				18	0.7	8.5	-	8.5	-	-	8.5	-	8.5	-	-	-	-	-20	+80	6	9,7		
				25	0.7	8.5	-	8.5	-	-	8.5	-	8.5	-	-	-	-	-20	+80	6	9,7		
UNIVERSAL (U)																							
				1.6	0	4.5	-	4.5	-	-	4.5	-	4.5	-	-	-	-	-10	+100	4	5.5	356	3
				2.4	0	2	-	2	-	-	2	-	2	-	-	-	-	-	-	-	-	-	-
				1.2	0	13	-	13	-	-	13	-	13	-	-	-	-	-	-	-	-	-	-
				2.4	0	7	-	5,5	4	-	7	-	5,5	4	-	-	-	-	-	-	-	-	-
				3.2	0	4.5	-	4,5	2,5	-	3,5	-	3	-	-	-	-	-25	-90	10,1	11,6	314	5
				4	0	2.5	-	2.5	-	-	1.7	-	1.7	-	-	-	-	-	-	-	-	-	-
				5.6	0	1.2	-	1.2	-	-	0.8	-	0.8	-	-	-	-	-	-	-	-	-	-
				7.1	0	0.68	-	0.68	-	-	0.55	-	0.55	-	-	-	-	-	-	-	-	-	-
				1.2	0	12	-	12	-	-	9	-	9	-	-	-	-	-20	+40	9	9,7		
				0.8	0	27	-	28	-	-	19	-	21	-	-	-	-	-20	+40	16,7	11,2		
				1.6	0	7	-	7	-	-	4	-	4	-	-	-	-	-20	+90	10,5	11,2	320	11
				1.6	0	7	-	7	-	-	4,5	-	4,5	-	-	-	-	-20	+90	9	9,7		
				3.2	0	3.5	-	3.5	-	-	1.7	-	1.7	-	-	-	-	-20	+90	16,7	11,2		
				4.4	0	1.5	-	1.5	-	-	0.8	-	0.8	-	-	-	-	-20	+90	10,5	11,2		
				2	0	8	-	8	-	-	8	-	8	-	-	-	-	-25	+80	10,5	11,2	370	15
				3.8	0	2	-	2	-	-	2	-	2	-	-	-	-	-	-	-	-	-	-
				5.7	0	10	-	10	-	-	10	-	10	-	-	-	-	-50	+120	10	11,2		
				12	0	10	-	10	-	-	10	-	10	-	-	-	-	-50	+120	3,7	3,6	327	17
				12	0	10	-	10	-	-	10	-	10	-	-	-	-	-50	+90	10/14,1	10/14		
UNIVERSAL (U) - CERTIFIED IEC 61508 FUNCTIONAL SAFETY DATA																							
				5.7	0	10	-	10	-	-	10	-	10	-	-	-	-	-50	+120	10	11,2		
				12	0	10	-	10	-	-	10	-	10	-	-	-	-	-50	+120	3,7	3,6	327	17
				12	0	10	-	10	-	-	10	-	10	-	-	-	-	-50	+90	10/14,1	10/14		

(Potentially explosive atmospheres, see page: **IV**)

00066GB-2018/R01 Availability, design and specifications are subject to change without notice. All rights reserved.

All leaflets are available on: www.asco.com

 operators (See Explosionproof Solenoids section)		group II																										
		dusts		gas / dusts																								
		zone 22	zones 2 - 22	zones 1 - 21 or 1					zones 0-21			zones 0-20																
		3 D Ex tc	3 G Ex nA 3 D Ex tc	IIC T115°C Dc IP65X		IIB+H2 Gb T6..T4, IIC Db IP66/IP67	IIC T6..T4 Gb / IIC Db IP66/67	I2G IIB+H2 Gb T6..T4, I2D IIC Db IP66/IP67	IIC T4 Gb, IIC T135°C Db IP67	IIC T6..T3 Gb / IIC Db IP66/67	IIC Gb / IIC Db IP67	Ex d, Ex e mb, Ex ia	IIC T6 Ga, T85°C Db IP67	IIC T6 Ga, T85°C IP66/IP67 Db	IIC T6 Gb / IIC T85°C IP66/IP67 Db	IIC T6..T4 Ga, IIC T85°C..T135°C IP65 Da 1D Ex ia	IIC T6 1G Ex ia 1D Ex ia IIC											
page	series	AC (~)	DC (=)	SG (XM5)	SG (C25)	SG (MXX-II)	302	(WS)LPKF (M6)	(WS)NE (MXX)	(WS)NE (M12)	314/LPKF	WBLP	(WS)EM (M6)	(WS)EM (MXX)	(WS)EM (M12)	PV (EM5)	PV (EMXX)	WSCRWSEMMWSCRIS	195/LISC	LI/WSLJ (M6)	NFIS/WSNFIS	302	630 (piezotronic)					
3	356	4	6,9	⊕													6,9											
		5	6,9	⊕														4										
			6,9	⊕														6,9										
5	314	10,1	-	⊕				10,5						10,5			10,5											
		-	11,6	⊕				11,2						11,2			11,2											
11	320	6	9,7										⊕															
		9	-										⊕															
		10,5	11,2					⊕					⊕				⊕											
15	370	10,5	11,2					⊕					⊕			⊕												
17	327	-	0,5 ⁽¹⁾																⊕									
		10	11,2					⊕						⊕					⊕									
		3,7	3,6																	⊕								
		10	10																	⊕								
19	387	-	-																									
21	302	-	-																							⊕		
27	189	2,5	-	⊕													4											
		-	3	⊕													⊕											
29	109	2,5	3																									
33	374	10,5	11,2											⊕			⊕											
35	374	10,5	11,2																									
37	551 553	-	-																									
		2,5	-	⊕																								
		-	3																									
		5	-	⊕																								
41	551 553	10,5	11,2					⊕	⊕					⊕			⊕											
43	551	10,5	11,2					⊕	⊕					⊕			⊕											
45	881	-	-																									
49	316	6	9,7																									
		16,7	-																									
		-	16,8																									

(1) Contact us.

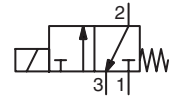
All leaflets are available on: www.asco.com



SOLENOID VALVES

direct operated, quick switching
threaded or pad-mount body
M5

NC



3/2
Series
065

FEATURES

- Miniature solenoid valve for medical analyzers, gas analyzers and leak detectors
- New flat-spring technology ensures no contamination of fluids (no friction)
- Suitable for the control of gases
- The valves have a service life of more than 1 billion cycles when used with neutral gas
- Short response times
- Easy to integrate thanks to the valves' small size
- Available in a variety of versions for a wide range of applications: threaded connections or pad-mount for installation on multiple manifolds
- Vacuum application up to 0,1 bar abs. (0,6 mm and 1 mm dia. orifice sizes)

GENERAL

Differential pressure See «SPECIFICATIONS» [1 bar =100 kPa]
Maximum viscosity 20 cSt (mm²/s)
Response time < 10 ms
Internal volume ≤ 350 µl (couplings not included)

fluids (*)	temperature range (TS)	seal materials (*)
air, inert gases (filtered 50 µm)	0°C to +60°C	FPM (fluoroelastomer) (2)

MATERIALS IN CONTACT WITH FLUID

(*) Ensure that the compatibility of the fluids in contact with the materials is verified

Body Stainless steel, AISI 303 (1.4305)
Plugnut Stainless steel
Spring disc Stainless steel
Seat Stainless steel
Seals FPM
Disc FPM

ELECTRICAL CHARACTERISTICS

Coil insulation class F
Connection Cable leads (ETFE); 0,35 m length
Electrical safety IEC 335
Electrical enclosure protection IP40 (EN 60529)
Standard voltages DC (=): 6V - 12V - 24V

prefix option	power ratings			operator ambient temperature range (TS) (C°)	replacement coil	type (1)
	inrush ~ (VA)	holding ~ (VA)	hot/cold = (W)			
L	-	-	-	2,1 / 2,1	-	01

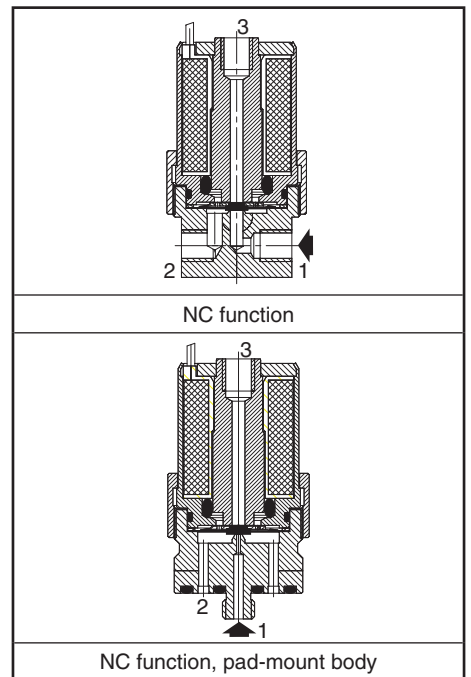
(1) Refer to the dimensional drawings on the following page.

SPECIFICATIONS

pipe size	orifice size (mm)	flow coefficient Kv (m ³ /h) (l/min)		operating pressure differential (bar)		power coil (W)	catalogue number	
				min.	max. (PS)		threaded	pad-mount body
					air, inert gases (*)			
NC - Normally closed								
M5 (3)	0,6	0,013	0,22	0	7	2,1	LE065A009V	LS065A009V
	1	0,025	0,43	0	5	2,1	LE065A010V	LS065A010V
	1,4	0,032	0,54	0	3	2,1	LE065A011V	LS065A011V
	2	0,057	0,95	0	1,5	2,1	LE065A012V	LS065A012V

(2) FFPM seals for corrosive fluids (Contact us).

(3) External thread with pad-mount body.



00158GB-2017/R01
Availability, design and specifications are subject to change without notice. All rights reserved.

All leaflets are available on: www.asco.com



青岛秉诚自动化设备有限公司
地址：中国·青岛市重庆南路99号海尔云街甲3号楼7F

服务热线：4006-918-365
网址：http://www.ivalve.com

Solenoid Valves (3/2) - 1
传真：(86-532)585-10-365
Email：sales@bechinas.com

OPTIONS (on request)

- Other seal materials
- Response time 2-3 ms
- Oxygen service
- Other pipe connections are available
- 0,7 W rated coil

INSTALLATION

- The solenoid valves can be mounted in any position without affecting operation
- Threaded solenoid valves have 2 mounting holes in body
- Pad-mount valves and o-ring seals for multiple manifolds

ORDERING EXAMPLES:

L	E	065	A	009	V	6V / DC
L	E	065	A	010	V	24V / DC
L	S	065	A	009	V	12V / DC
L	S	065	A	011	V	6V / DC

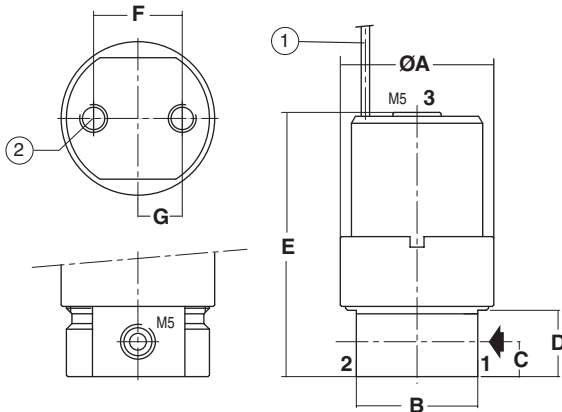
prefix: L, S
 pipe thread: E, S
 basic number: 065 A 009, 010, 011
 voltage: 6V / DC, 24V / DC
 suffix: V

DIMENSIONS (mm), WEIGHT(kg)

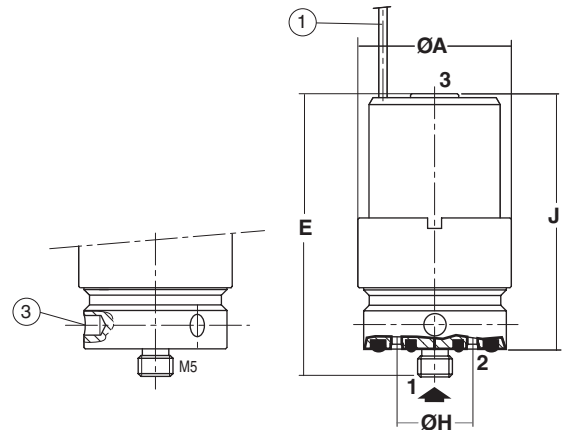


TYPE 01
Prefix "L" Solenoid
Cable ends
IP40

LE065A009V/010V/011V/012V

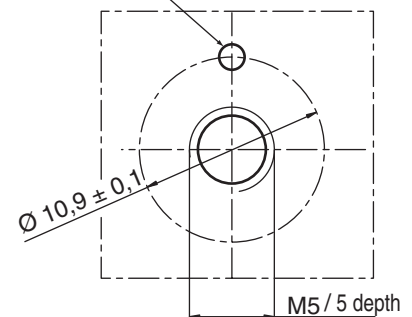


LS065A009V/010V/011V/012V



Mounting pad

max. $\varnothing 1,5 +0,05$



type	prefix option	catalogue number	A	B	C	D	E	F	G	H	J	weight ⁽¹⁾
01	L	LE065A009V/010V/011V/012V	22	17,4	5	9,5	38	12,7	6,35	-	-	0,068
		LS065A009V/010V/011V/012V	22	-	-	-	41	-	-	10,9	37	0,066

⁽¹⁾ Including leads, length 0,35 m.

- ① 2 electrical supply wires, length: 0,35 m.
- ② 2 mounting holes $\varnothing M4$, depth 6 mm.
- ③ Mounting with hook spanner wrench DIN 1810B.

All leaflets are available on: www.asco.com

2 - Solenoid Valves (3/2)



青岛秉诚自动化设备有限公司
地址：中国·青岛市重庆南路99号海尔云街甲3号楼7F

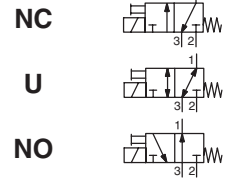
服务热线：4006-918-365
网址：<http://www.ivalve.cc>

传真：(86-532)585-10-365
Email：sales@bechinas.com



SOLENOID VALVES

direct operated
1/8 - 1/4



3/2
Series
356

FEATURES

- Compact design for the control of single-acting actuators or filling and draining cycles
- Wide range of flow and pressure ratings
- Quick disassembly of core tube for easy maintenance of internal parts
- Standard disc seal made of FPM suitable for a wide range of operating temperatures and compatible with many fluids
- Standard manual operator allows an easy installation
- AC/DC interchangeability of the solenoid without disassembly of the valve
- Compliance with UL and CSA standards (coil 4/6,9 W)
- Compact and low weight valve
- The solenoid valves satisfy all relevant EU directives

GENERAL

Differential pressure See «SPECIFICATIONS» [1 bar =100 kPa]
Maximum viscosity 40 cSt (mm²/s)
Response time 5 - 10 ms

fluids (*)	temperature range (TS)	seal materials (*)
air, inert gas, water, oil	-10°C to +100°C	FPM (fluoroelastomer)

MATERIALS IN CONTACT WITH FLUID

(*) Ensure that the compatibility of the fluids in contact with the materials is verified

	Brass body	Stainless steel body
Body	Brass	AISI 316
Core tube	Stainless steel	Stainless steel
Core and plugnut	Stainless steel	Stainless steel
Springs	Stainless steel	Stainless steel
Seat	Brass	Stainless steel
Seals	FPM	FPM
Disc	FPM	FPM
Shading coil	Copper	Copper

ELECTRICAL CHARACTERISTICS

Coil insulation class F
Connector Spade plug (cable Ø 6-8 mm or Ø 6-10 mm)
Connector specification DIN 43650, 11 mm, industry standard B (type 01) or ISO 4400 / EN 175301-803, form A (type 02) IEC 335
Electrical safety Moulded IP65 (EN 60529)
Electrical enclosure protection DC (=) : 24V - 48V
Standard voltages AC (~) : 24V - 48V - 115V - 230V / 50 Hz
 (Other voltages and 60 Hz on request)

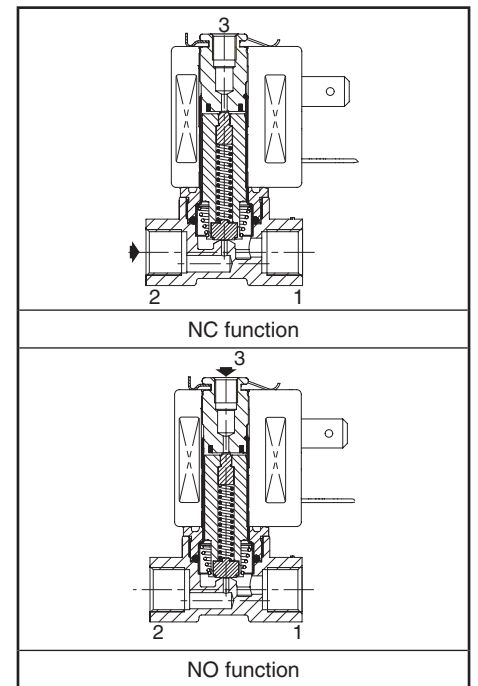
prefix option	power ratings				operator ambient temperature range (TS) (C°)	replacement coil		type ⁽¹⁾
	inrush ~		holding ~			~	=	
	(VA)	(VA)	(W)	(W)		230 V/50 Hz	24 V DC	
SC	12	6	4	5 / 6,9	-10 to +60	400127-197	400127-142	01
	15	7	5	4 / 5	-10 to +60	400727-117	400727-185	02

⁽¹⁾ Refer to the dimensional drawings on the following page.

SPECIFICATIONS

pipe size	orifice size	flow coefficient Kv				operating pressure differential (bar)				power coil (W)		catalogue number		options	
		2→1		3→1		min.	max. (PS)		~	=	brass	stainless steel	EPDM		
		(m ³ /h)	(l/min)	(m ³ /h)	(l/min)		air, water, oil (*)	~							=
G	(mm)	(m ³ /h)	(l/min)	(m ³ /h)	(l/min)							~/=	~/=		
NC - Normally closed															
1/8 ⁽²⁾	1,2	0,05	0,8	0,05	0,8	0	15	15	4	6,9	SCG356B001VMS	SCG356B013VMS	E	-	-
	1,6	0,08	1,33	0,05	0,8	0	10	10	4	6,9	SCG356B002VMS	SCG356B014VMS	E	-	-
	2,0	0,1	1,66	0,05	0,8	0	5	5	4	6,9	SCG356B003VMS	SCG356B015VMS	E	-	-
	2,4	0,13	2,1	0,05	0,8	0	4	4	4	6,9	SCG356B004VMS	SCG356B016VMS	E	-	-
1/4 ⁽²⁾	1,6	0,08	1,33	0,05	0,8	0	10	10	5	5	SCG356B466VMS	SCG356B434VMS	-	-	-
	2,4	0,16	2,67	0,05	0,8	0	4	4	5	5	SCG356B470VMS	SCG356B436VMS	-	-	-
U - Universal															
1/8 ⁽²⁾	1,6	0,06	1	0,05	0,8	0	4,5	4,5	4	6,9	SCG356B010VMS	SCG356B022VMS	E	-	-
	2,0	0,08	1,33	0,05	0,8	0	3	3	4	6,9	SCG356B011VMS	SCG356B023VMS	E	-	-
	2,4	0,09	1,5	0,05	0,8	0	2	2	4	6,9	SCG356B012VMS	SCG356B024VMS	E	-	-
NO - Normally open															
1/8 ⁽²⁾	1,6	0,096	1,6	0,05	0,8	0	8,5	8,5	4	6,9	SCG356B006VMS	SCG356B018VMS	E	-	-

⁽²⁾ Pipe size port 3: M5 (Orifice size = 1,2 mm).



00067GB-2017/R01 Availability, design and specifications are subject to change without notice. All rights reserved.

All leaflets are available on: www.asco.com



青岛秉诚自动化设备有限公司
地址：中国·青岛市重庆南路99号海尔云街甲3号楼7F

服务热线：4006-918-365
网址：<http://www.ivalve.com>

Solenoid valves (3/2) - 3
传真：(86-532)585-10-365
Email：sales@bechinas.com

OPTIONS

- Valves can also be supplied with EPDM (ethylene-propylene) seals and discs. Use the appropriate optional suffix letter for identification (1/8 version only)
- Explosionproof enclosures for use in zones 1/21-2/22, categories 2-3 to ATEX Directive 2014/34/EU (www.asco.com)
- Flying leads coil, use prefix L (e.g.: LG356B001VMS) (4 W/6,9 W coil only)
- Oxygen service with seals and disc in FPM, suffix NV, example: SCG356B001NVMS
- Solenoid valves integrated on manifold, orifice sizes 1,2 - 1,6 - 2 - 2,4 mm (www.asco.com)
- Without manual operator, on request
- Other pipe connections are available on request
- Connector with visual indication and peak voltage suppression or with cable length of 2 m (www.asco.com)

INSTALLATION

- The solenoid valves can be mounted in any position without affecting operation
- Solenoid valves have 2 mounting holes in body
- Pipe connection identifier is G = G (ISO 228/1)
- Installation/maintenance instructions are included with each valve

ORDERING EXAMPLES:

SC	G	356	B 001	VMS	230V / 50 Hz
SC	G	356	B 002	EMS	115V / 50 Hz
SC	G	356	B 014	NVMS	24V / DC
SC	G	356	B 001	FWMS	24V / DC
SC	G	356	B 456	VMS	230V / 50 Hz
SC	G	356	B 006	VMS	230V / 50 Hz

prefix: SC
 pipe thread: G
 basic number: 356
 voltage: 230V / 50 Hz
 suffix: VMS

DIMENSIONS (mm), WEIGHT (kg)



TYPE 01

Prefix "SC" Solenoid
Epoxy moulded
IEC 335 / DIN 43650
IP65

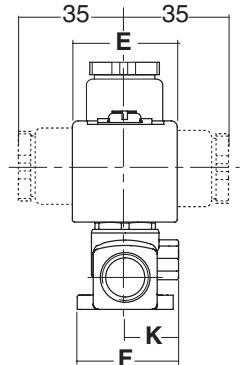
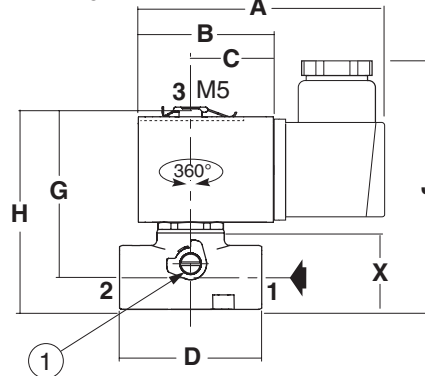
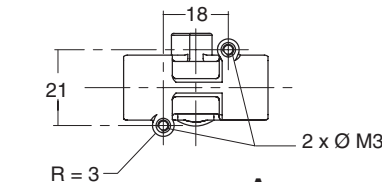
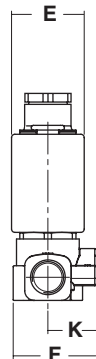
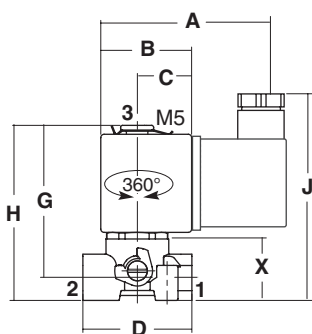
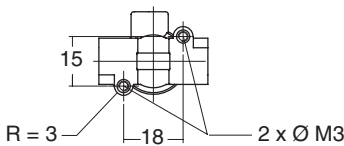
NC/NO/U (1/8): All 1/8 catalogue numbers



TYPE 02

Prefix "SC" Solenoid
Epoxy moulded
IEC 335 / ISO 4400
IP65

NC (1/4): SCG356B434VMS/436VMS/466VMS/470VMS/471V/472V



type	prefix option	pipe size	A	B	C	D	E	F	G	H	J	K	X	weight ⁽¹⁾	
														brass	stainless steel
01	SC	1/8	60,5	27,5	16,5	33	22	25,5	46	53	69	15	18,6	0,156	0,138
02	SC	1/4	76	38	23,3	40	29,7	28,5	48	57	79	15	23,4	0,232	0,229

⁽¹⁾ including coil and connector.

All leaflets are available on: www.asco.com

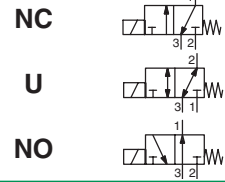
4 - Solenoid valves (3/2)



青岛集诚自动化设备有限公司
地址：中国·青岛市重庆南路99号海尔云街甲3号楼7F

服务热线：4006-918-365
网址：<http://www.ivalve.cc>

传真：(86-532)585-10-365
Email：sales@bechinas.com



FEATURES

- Compact valve intended for single acting actuator control
- High operating speed
- Valve optimised for general 3-way piloting applications, only one spring and two moving parts
- RoHS compliance
- Valves do not require a minimum operating pressure
- Compliance with UL and CSA standards
- The solenoid valves satisfy all relevant EU directives

GENERAL

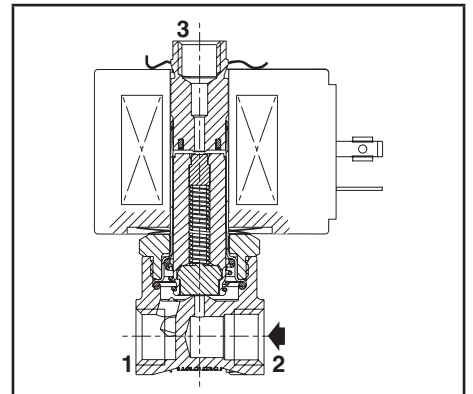
Differential pressure See «SPECIFICATIONS» [1 bar = 100 kPa]
Maximum viscosity 65 cSt (mm²/s)
Response time 5 - 25 ms

fluids (*)	temperature range (TS)	seal materials (*)
air, inert gas, water, oil	- 25°C to + 90°C	NBR (nitrile) FPM (fluoroelastomer)

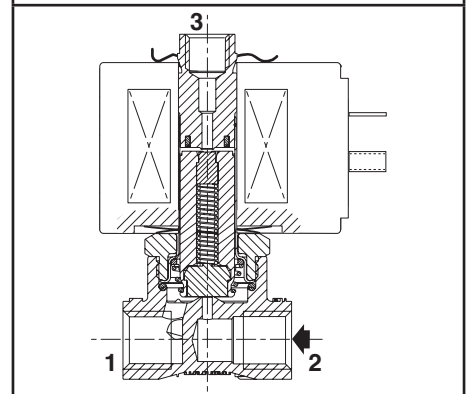


GENERAL

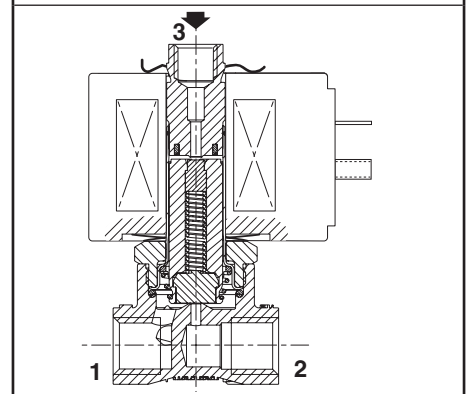
MATERIALS IN CONTACT WITH FLUID		
(*) Ensure that the compatibility of the fluids in contact with the materials is verified		
Body	Brass	Stainless steel, AISI 304
Shading coil	Copper	Silver
Core tube	Stainless steel, AISI 305	
Core and plugnut	Stainless steel, AISI 430F	
Springs	Stainless steel, AISI 302	
Seals	NBR	
Disc	NBR	
Upper disc	FPM	
Core guide	POM	



NC function (1/8)



NC function (1/4)



NO function (1/4)

ELECTRICAL CHARACTERISTICS

Coil insulation class	F
Connector	Spade plug (cable Ø 6-10 mm)
Connector specification	ISO 4400 / EN 175301-803, form A
Electrical safety	IEC 335
Electrical enclosure protection	Moulded IP65 (EN 60529)
Standard voltages	DC (=) : 24V - 48V
(Other voltages and 60 Hz on request)	AC (~) : 24V - 48V - 115V - 230V/50 Hz

operator ambient temperature range (TS) (°C)	power ratings			replacement coil ⁽¹⁾	
	inrush ~ (VA)	holding ~ (VA)	hot/cold = (W)	~ 230 V/50 Hz	= 24 V DC
-25 to +55	50	25	10,1	8,5/11,6	238613-059 238713-006

⁽¹⁾ All 238 basic numbers are UL & CSA approved and marked with the UR (recognised component) & CSA logos.

OPTIONS

Seals and disc (*) (fluid temperature range) ⁽²⁾	FPM (fluoroelastomer): -15°C to +120°C (AC) -15°C to +90°C (DC)
Oxygen service, FPM disc and seals, see "15-DIGIT PRODUCT CODE"	
Connector with visual indication and peak voltage suppression or with cable length of 2 m (www.asco.com)	
Explosionproof enclosures for use in zones 1/21-2/22, categories 2-3 to ATEX Directive 2014/34/EU (See page: 7)	

(*) Vérifier la compatibilité du fluide avec les matériaux en contact.

⁽²⁾ The minimum ambient temperature of the solenoid valve is determined by the limitations of minimum temperature indicated.

15-DIGIT PRODUCT CODE

E 314 K 034 S1 N00 F1

Thread connection

- G** = ISO 228/1 (1/8)
- E** = ISO 228/1 & ISO 7/1 (combination thread, G*)
- 8** = NPT (SAE 71051) [contact us]

Product series
314

Revision letter
K = Initial release

Valves version

Voltage - class

- FL** = 24 V / 50 Hz - class F
- FR** = 48 V / 50 Hz - class F
- FT** = 115 V / 50 Hz - class F
- F8** = 230 V / 50 Hz - class F
- F1** = 24 V DC - class F
- F9** = 48 V DC - class F

Options

Without manual operator

- N00** = NBR disc and seals
- V00** = FPM disc and seals
- VN0** = FPM disc and seals for Oxygen service

With maintained manual operator

- N01** = NBR disc and seals
- V01** = FPM disc and seals
- VN1** = FPM disc and seals for Oxygen service

Electrical interface & explosion proof options

S1 = With spade plug connector

MV = Steel enclosure, M20 cable gland, IECEx/ATEX

II 2G Ex e mb IIC Gb T3, II2D Ex tb IIIC Db IP66/IP67, zone 1-21 (equivalent to [EM](#) prefix)⁽²⁾

MT = Steel enclosure, 20 mm conduit, IECEx/ATEX

II 2G Ex e mb IIC Gb T3, II2D Ex tb IIIC Db, zone 1-21 (equivalent to [EMET](#) prefix)⁽²⁾

MN = Steel enclosure, 1/2 NPT conduit, IECEx/ATEX

II 2G Ex e mb IIC Gb T3, II2D Ex tb IIIC Db IP66/IP67, zone 1-21 (equivalent to [EMT](#) prefix)⁽²⁾

MW = AISI 316L enclosure, M20 cable gland, IECEx/ATEX

II 2G Ex e mb IIC Gb T3, II2D Ex tb IIIC Db IP66/IP67, zone 1-21 (equivalent to [WSEM](#) prefix)⁽²⁾

MU = AISI 316L enclosure, 20 mm conduit, IECEx/ATEX

II 2G Ex e mb IIC Gb T3, II2D Ex tb IIIC Db IP66/IP67, zone 1-21 (equivalent to [WSEMET](#) prefix)⁽²⁾

MS = AISI 316L enclosure, 1/2 NPT conduit, IECEx/ATEX

II 2G Ex e mb IIC Gb T3, II2D Ex tb IIIC Db IP66/IP67, zone 1-21 (equivalent to [WSEMT](#) prefix)⁽²⁾

A7 = Moulded enclosure, epoxy encapsulated, integrated cable, IECEx/ATEX

II2G Ex mb IIC Gb T3(-)/T4(=), II2D Ex mb IIIC Db IP67, zone 1-21 (equivalent to [PV](#) prefix)⁽²⁾

SG = Moulded coil with connector, epoxy encapsulated, ATEX

II 3 D Ex tc IIIC T115°C Dc IP65X, zone 22 (equivalent to [SG](#) prefix)⁽²⁾

⁽²⁾ Search prefix in asco.com to get detailed technical information.

Please note that the valve pressure ratings with some of the ATEX enclosures will be reduced.

To obtain the correct pressure rating please check the landing pages of the "[2-Way Solenoid Valve DIN Configurator](#)".

		SPARE PARTS KITS CODE (*)							
		AC (~)				DC (=)			
		NBR	FPM	FPM (oxygen)		NBR	FPM	FPM (oxygen)	
	E314K006	M200074	N00	V00	VN0	M200074	N00	V00	VN0
	E314K007/008	M200078	N00	V00	VN0	M200075	N00	V00	VN0
	E314K034	M200070	N00	V00	VN0	M200066	N00	V00	VN0
	E314K035/036	M200071	N00	V00	VN0	M200067	N00	V00	VN0
	E314K052	M200080	N00	V00	VN0	M200080	N00	V00	VN0
	E314K053/054	M200081	N00	V00	VN0	M200081	N00	V00	VN0
	E314K068	M200072	N00	V00	VN0	M200068	N00	V00	VN0
	E314K069	M200082	N00	V00	VN0	M200082	N00	V00	VN0
	E314K070	M200083	N00	V00	VN0	M200083	N00	V00	VN0
	E314K120	M200079	N00	V00	VN0	M200077	N00	V00	VN0
	E314K121	M200073	N00	V00	VN0	M200069	N00	V00	VN0
	E314K122	M200083	N00	V00	VN0	M200083	N00	V00	VN0
	E314K123	M200076	N00	V00	VN0	M200076	N00	V00	VN0
	E314K124	M200079	N00	V00	VN0	M200077	N00	V00	VN0
	E314K126	M200073	N00	V00	VN0	M200069	N00	V00	VN0
	E314K127/128/129	M200078	N00	V00	VN0	M200075	N00	V00	VN0
	E314K130/131/132	M200071	N00	V00	VN0	M200067	N00	V00	VN0
	E314K133/134/135	M200081	N00	V00	VN0	M200081	N00	V00	VN0
	E314K227/228/229	M200079	N00	V00	VN0	M200077	N00	V00	VN0
	E314K230/231/232	M200073	N00	V00	VN0	M200069	N00	V00	VN0
	E314K233/234/235	M200083	N00	V00	VN0	M200083	N00	V00	VN0
	G314K031	M200070	N00	V00	VN0	M200066	N00	V00	VN0
	G314K032/033	M200071	N00	V00	VN0	M200067	N00	V00	VN0
	G314K037	M200072	N00	V00	VN0	M200068	N00	V00	VN0
	G314K038/039	M200073	N00	V00	VN0	M200069	N00	V00	VN0
	G314K040	M200079	N00	V00	VN0	M200077	N00	V00	VN0
	G314K041	M200074	N00	V00	VN0	M200074	N00	V00	VN0
	G314K042	M200076	N00	V00	VN0	M200076	N00	V00	VN0
	G314K043	M200078	N00	V00	VN0	M200075	N00	V00	VN0
	G314K044	M200079	N00	V00	VN0	M200077	N00	V00	VN0
G314K045	M200078	N00	V00	VN0	M200075	N00	V00	VN0	
G314K049	M200080	N00	V00	VN0	M200080	N00	V00	VN0	
G314K050/051	M200081	N00	V00	VN0	M200081	N00	V00	VN0	
G314K055	M200082	N00	V00	VN0	M200082	N00	V00	VN0	
G314K056/057	M200083	N00	V00	VN0	M200083	N00	V00	VN0	

(*) Vérifier la compatibilité du fluide avec les matériaux en contact.

		ACCESSORIES CODE
	Mounting bracket Steel version (AISI 1010 / 1.1121)	M200094A00
	Mounting bracket Stainless steel version (AISI 304 / 1.4301)	M200095A00

INSTALLATION

- The solenoid valves can be mounted in any position without affecting operation
- Solenoid valves have 2 mounting holes in body
- Thread connection "E" applicable for 1/4 have standard thread according to ISO 228/1 and ISO 7/1. Thread connection "G" applicable for 1/8, have standard thread according to ISO 228/1
- Thread connection "8" have standard thread = NPT (SAE 71051) (contact us)
- Installation/maintenance instructions are included with each valve

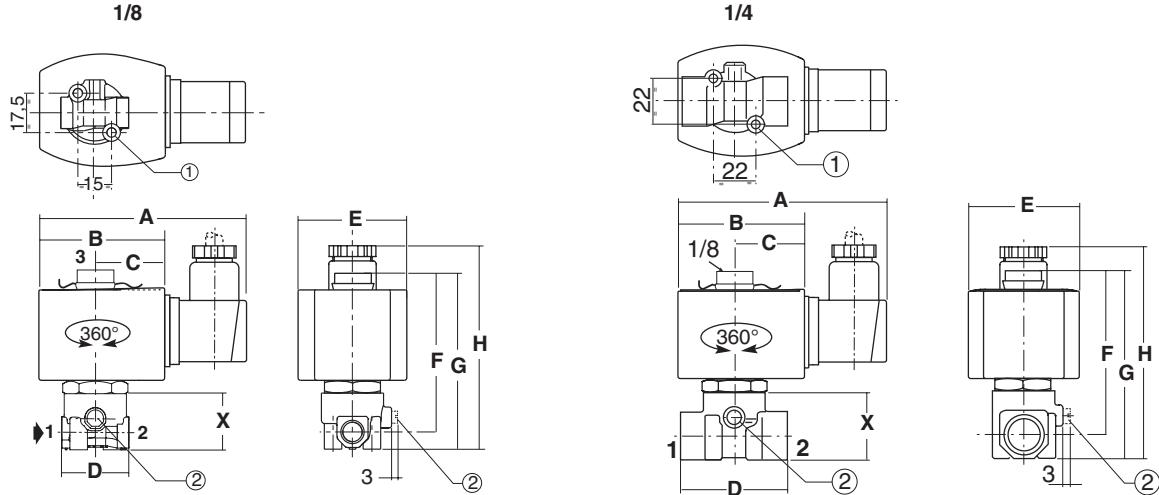
DIMENSIONS (mm), WEIGHT (kg)

[Configurator - CAD Files](#)



TYPE 01

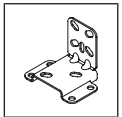
Electrical interface "S1"
Epoxy moulded
IEC 335 / ISO 4400
IP65



type	pipe size	A	B	C	D	E	F	G	H	X	weight ⁽¹⁾
01	1/8	95	57	33	31	50	71	79	90	26	0,30
	1/4	95	57	33	40	50	73	82	96	30	0,59

- ① 2 mounting holes M5 dia., depth 6 mm.
- ② Manual operator location.

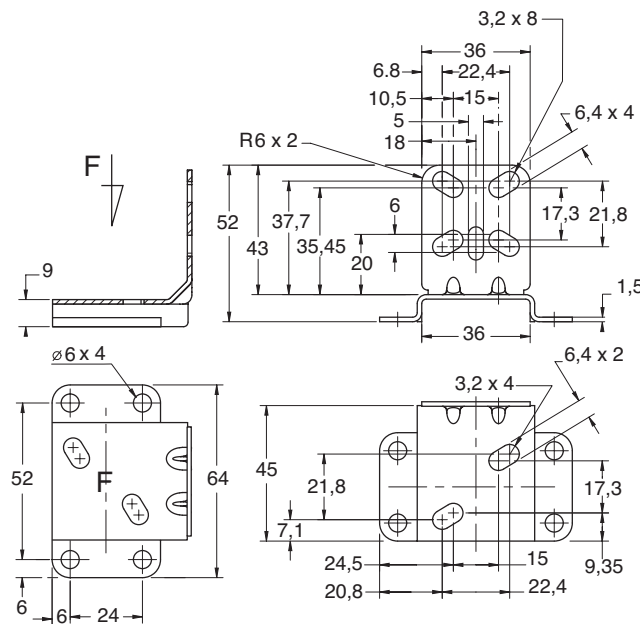
⁽¹⁾ Incl. coil(s) and connector(s).



Mounting bracket

Steel or stainless steel

M200094A00 / M200095A00



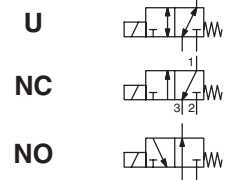
01014GB-2017/R01
Availability, design and specifications are subject to change without notice. All rights reserved.

All leaflets are available on: www.asco.com



SOLENOID VALVES

direct operated
in-line
1/8-1/4



3/2
Series
320

FEATURES

- Compact three way solenoid valves with orifice and pipe connection in valve body
- Valves are designed to handle relatively high pressure 3-way applications
- Valves do not require a minimum operating pressure
- The solenoid valves satisfy all relevant EU directives

GENERAL

Differential pressure See «SPECIFICATIONS» [1 bar =100 kPa]
Maximum viscosity 65 cSt (mm²/s)
Response time 5 - 25 ms

fluids (*)	temperature range (TS)	seal materials (*)
air, inert gas, water, oil	-20°C to +90°C	NBR (nitrile)
	-20°C to +40°C	UR (cast urethane)

MATERIALS IN CONTACT WITH FLUID

(*) Ensure that the compatibility of the fluids in contact with the materials is verified

	Brass body	Stainless steel body
Body	Brass	AISI 303 SS
Core tube	Stainless steel	Stainless steel
Core and plugnut	Stainless steel	Stainless steel
Springs	Stainless steel	Stainless steel
Seat	Brass	Stainless steel
Seals	NBR	NBR
Disc	NBR or UR	NBR or UR
Disc holder & core guide	POM	POM
Shading coil	Copper	Silver

ELECTRICAL CHARACTERISTICS

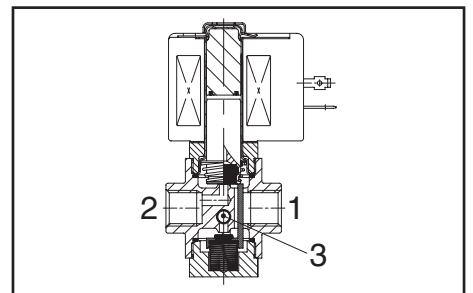
Coil insulation class F
Connector Spade plug (cable Ø 6-10 mm)
Connector specification ISO 4400 / EN 175301-803, form A
Electrical safety IEC 335
Electrical enclosure protection Moulded IP65 (EN 60529)
Standard voltages DC (=) : 24V - 48V
 AC (~) : 24V - 48V - 115V - 230V / 50 Hz

prefix option	power ratings				operator ambient temperature range (TS) (C°)	replacement coil		type ⁽¹⁾
	inrush ~		holding ~			~	=	
	(VA)	(VA)	(W)	(W)		230 V/50 Hz	24 V DC	
SC	34	15,6	6	7 / 9,7	-20 to +75	400325-117	400325-142	01
	30	22,5	9	-	-20 to +50	400325-217	-	01
	55	23	10,5	9/11,2	-20 to +75	400425-117	400425-142	02
	78	35	16,7	-	-20 to +50	400425-217	-	02

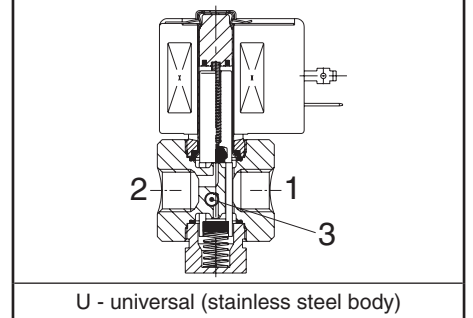
⁽¹⁾ Refer to the dimensional drawings on the following page

SPECIFICATIONS

pipe size	orifice size (mm)	flow coefficient Kv		min.	operating pressure differential (bar)						power coil (W)		catalogue number		options								
		(m ³ /h)	(l/min)		max. (PS)								brass	stainless steel	maintained man. operator	impulse man. operator	FPM	EPDM	CR	PTFE			
		~	=		air (*)	water (*)	oil (*)	~	=	~	=	~	=	~/=							~/=		
U - Universal, NBR seals and UR discs																							
1/8	1,2	0,05	0,83	0	12	9	12	9	12	9	9	9,7	SCB320B130	-	MS	MO	V	E	-	T			
													-	SCB320A140	MS	MO	-	-	-	T			
1/4	0,8	0,02	0,33	0	27	19	28	21	28	21	16,7	11,2	SCB320A170	-	MS	MO	-	-	-	T			
U - Universal, NBR seals and discs																							
1/4	1,6	0,08	1,3	0	7	4	7	4	7	4	10,5	11,2	SCB320A172	-	MS	MO	V	E	J	T			
					7	4,5	7	4,5	7	4,5	9	9,7	-	SCB320-057	MS	MO	V	E	J	T			
	2,4	0,1	1,7	0	7	4	7	4	7	4	16,7	11,2	SCB320B174	-	MS	MO	V	E	J	T			
					7	4,5	7	4,5	7	4,5	16,7	11,2	-	SCB320A200	MS	MO	V	E	J	T			
	3,2	0,18	3	0	3	3	3	3	3	3	6	9,7	-	SCB320-059	MS	MO	V	E	J	T			
					3,5	1,7	3,5	1,7	3,5	1,7	16,7	11,2	-	SCB320A201	MS	MO	V	E	J	T			
					0,21	3,5	0	3,5	1,7	3,5	1,7	3,5	1,7	16,7	11,2	SCB320B176	-	MS	MO	V	E	J	T
					0,27	4,5	0	2	1,5	2	1,5	2	1,5	9	9,7	-	SCB320-061	MS	MO	V	E	J	T
	4,4	0,3	5	0	1,5	0,8	1,5	0,8	1,5	0,8	10,5	11,2	SCB320A178	-	MS	MO	V	E	J	T			



U - universal (brass body)



U - universal (stainless steel body)

00070GB-2017/R01 Availability, design and specifications are subject to change without notice. All rights reserved.

All leaflets are available on: www.asco.com



青岛秉诚自动化设备有限公司
地址：中国·青岛市重庆南路99号海尔云街甲3号楼7F

服务热线：4006-918-365
网址：http://www.ivalve.cc

Solenoid valves (3/2) - 11
传真：(86-532)585-10-365
Email：sales@bechinas.com

SPECIFICATIONS

pipe size	orifice size (mm)	flow coefficient Kv (m ³ /h) (l/min)		operating pressure differential (bar)						power coil (W)		catalogue number		options									
				min.	max. (PS)			brass	stainless steel					maintained man. operator	impulse man. operator	FPM	EPDM	CR	PTFE				
					air (*)	water (*)	oil (*)																
NC - Normally closed, NBR seals and UR discs																							
1/8	1,2	0,05	0,83	0	20	17	20	17	20	17	9,0	9,7	SCB320B134	SCB320A144	MS	MO	-	-	-	T			
1/4	0,8	0,02	0,33	0	50	35	50	35	50	35	16,7	11,2	SCB320A180	-	MS	MO	V	-	-	T			
NC - Normally closed, NBR seals and disc																							
1/4	1,6	0,08	1,3	0	15	11	15	11	15	11	16,7	11,2	SCB320A182	-	MS	MO	V	E	J	T			
					9	9	9	9	9	9	6,0	9,7	-	SCB320-063	MS	MO	V	E	J	T			
	2,4	0,10	1,7	0	8	4,5	8	4,5	8	4,5	9,0	9,7	-	SCB320-093	MS	MO	V	E	J	T			
					10	8	10	8	10	8	10,5	11,2	SCB320A184	SCB320A202	MS	MO	V	E	J	T			
	3,2	0,18	3,0	0	6	4,5	6	4,5	6	4,5	10,5	11,2	-	SCB320A203	MS	MO	V	E	J	T			
					0,21	3,5	0	6	4	6	4	6	4	10,5	11,2	SCB320A186	-	MS	MO	V	E	J	T
					0,27	4,5	0	3	3	3	3	3	3	6,0	9,7	-	SCB320-065	MS	MO	V	E	J	T
	4,4	0,30	5,0	0	3	1,7	3	1,7	3	1,7	10,5	11,2	SCB320A188	-	MS	MO	V	E	J	T			
NO - Normally open, NBR seals and UR disc																							
1/8	1,2	0,05	0,83	0	20	17	20	17	20	17	9,0	9,7	SCB320B138	SCB320A148	MS	MO	-	-	-	T			
1/4	0,8	0,02	0,33	0	55	40	55	40	55	40	16,7	11,2	SCB320A190	-	MS	MO	-	-	-	T			
NO - Normally open, NBR seals and disc																							
1/4	1,6	0,08	1,3	0	16	11	17	11	17	11	16,7	11,2	SCB320A192	-	MS	MO	V	E	J	T			
					9	9	9	9	9	9	6,0	9,7	-	SCB320-067	MS	MO	V	E	J	T			
	2,4	0,10	1,7	0	8	4,5	8	4,5	8	4,5	9,0	9,7	-	SCB320-095	MS	MO	V	E	J	T			
					10	7	10	7	10	7	10,5	11,2	SCB320A194	SCB320A204	MS	MO	V	E	J	T			
	3,2	0,18	3,0	0	5	4	5	4	5	4	10,5	11,2	-	SCB320A205	MS	MO	V	E	J	T			
					0,21	3,5	0	5	4	5	4	5	4	10,5	11,2	SCB320A196	-	MS	MO	V	E	J	T
					0,27	4,5	0	3	3	3	3	3	3	6,0	9,7	-	SCB320-069	MS	MO	V	E	J	T
	4,4	0,30	5,0	0	3	2	3	2	3	2	10,5	11,2	SCB320A198	-	MS	MO	V	E	J	T			

OPTIONS

- Valves can also be supplied with FPM (fluoroelastomer), EPDM (ethylene-propylene), CR (chloroprene) and PTFE seals and discs. Use the appropriate optional suffix letter for identification
- Waterproof enclosure with embedded screw terminal coil according to protection class IP67, CEE-10
- Explosionproof enclosures for use in zones 1/21-2/22, categories 2-3 to ATEX Directive 2014/34/EU (www.asco.com)
- Electrical enclosures according to "NEMA" standards are available
- Compliance with "UL", "CSA" and other local approvals available on request
- Mounting brackets for brass body valves, suffix MB
- Other pipe connections are available on request
- Connector with visual indication and peak voltage suppression or with cable length of 2 m (www.asco.com)

INSTALLATION

- The solenoid valves can be mounted in any position without affecting operation
- Brass valves have 2 mounting holes in body
- Stainless steel valves are standard supplied with mounting brackets
- Pipe connection identifier is B = NPT (ANSI 1.20.3)
- Installation/maintenance instructions are included with each valve

SPARE PARTS KIT & ACCESSORIES

catalogue number	spare parts kit no.		mounting bracket no.
	~	=	
SCB320B130	C302084	C302190	160800
SCB320A140	C302086	C302206	(2)
SCB320A170	C302112	C302200	160800
SCB320A172	C302114	C302201	160800
SCB320-057	C302102	C302212	(2)
SCB320B174/B176	C302116	C302201	160800
SCB320A200	C302189	C302190	(2)
SCB320-059	C302106	C302212	(2)
SCB320A201	C312189	C312190	(2)
SCB320-061	C302110	C302213	(2)
SCB320A178	C302118	C302202	160800
SCB320B134	C302124	C302217	160800
SCB320A144	C302126	C302235	(2)
SCB320A180	C302140	C302226	160800
SCB320A182	C302141	C302227	160800

ORDERING EXAMPLES:

SC	B	320	A	170	230V / 50 Hz
SC	B	320	A	194	MS 115V / 50 Hz
SC	B	320	A	184	V 24V / DC
SC	B	320	A	144	T 230V / 50 Hz

prefix — pipe thread — basic number — voltage — suffix

ORDERING EXAMPLES KITS:

C302183 ⁽¹⁾	
C302142	V
C302192	E

basic number — suffix

SPARE PARTS KIT & ACCESSORIES

catalogue number	spare parts kit no.		mounting bracket no.
	~	=	
SCB320-063	C302150	C302240	162950-001 ⁽²⁾
SCB320-093	C302151	C302240	162950-001 ⁽²⁾
SCB320A184	C302142	C302227	160800
SCB320A202/A203	C312191	C312192	162950-001 ⁽²⁾
SCB320A186	C302143	C302228	160800
SCB320-065	C302152	C302241	162950-001 ⁽²⁾
SCB320A188	C302144	C302229	160800
SCB320B138	C302157	C302245	160800
SCB320A148	C302163	C302261	162950-001 ⁽²⁾
SCB320A190	C302182	C302254	160800
SCB320A192	C302183	C302255	160800
SCB320-067	C302176	C302266	162950-001 ⁽²⁾
SCB320-095	C302177	C302266	162950-001 ⁽²⁾
SCB320A194/A196	C302184	C302255	160800
SCB320A204	C312193	C312194	162950-001 ⁽²⁾
SCB320A205	C312193	-	162950-001 ⁽²⁾
SCB320-069	C302178	C302267	162950-001 ⁽²⁾
SCB320A198	C302185	C302256	160800

⁽¹⁾ Standard prefixes/suffixes are also applicable to kits.

⁽²⁾ Mounting bracket supplied standard with valve.

- Not available

DIMENSIONS (mm), WEIGHT (kg)



TYPE 01

Prefix "SC" Solenoid
Epoxy moulded
IEC 335 / ISO 4400
IP65

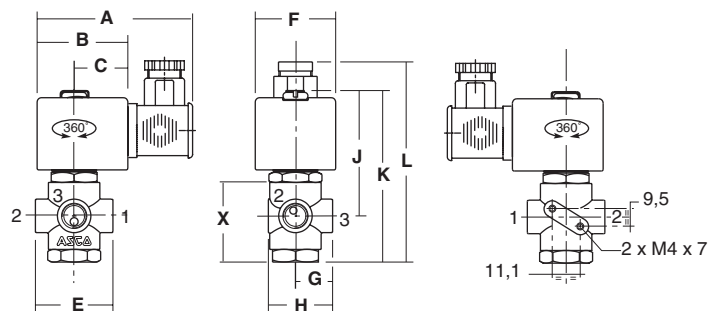
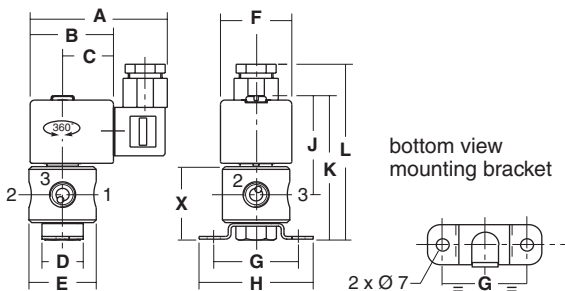
SCB320-057/-059/-061/-063/-093/-065
/-067/-095/-069



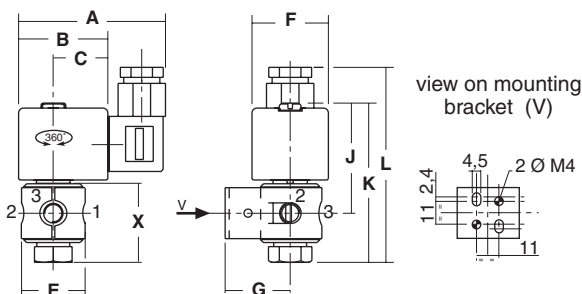
TYPE 02

Prefix "SC" Solenoid
Epoxy moulded
IEC 335 / ISO 4400
IP65

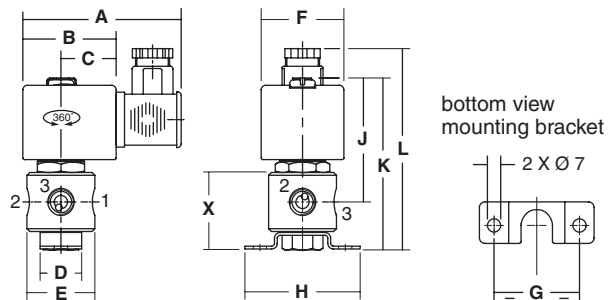
SCB320A170/A172/B174/B176/A178/A180/A182/A184/A186/
A188/A190/A192/A194/A196/A198



SCB320130/B134/B138/A140/A144/A148



SCB320A200/A201/A202/A203/A204/A205



type	prefix option	catalogue number	A	B	C	D	E	F	G	H	J	K	L	X	weight ⁽²⁾
01	SC	SCB320-057/-059/-061/-063/-093/-065/-067/-095/-069	75	45	27	22	36	39	46	62	58	82	96	42	0,54
		SCB320B130/B134/B138/A140/A144/A148	75	45	27	-	39	39	33	-	56	79	95	34	0,40
02	SC	SCB320A170/A172/B174/B176/A178/A180/A182/A184/A186/A188/ A190/A192/A194/A196/A198	80	50	30	-	43	45	21	36	70	96	108	45	0,57
		SCB320A200/A201/A202/A203/A204/A205	80	50	30	22	40	45	46	62	69	94	111	45	0,67

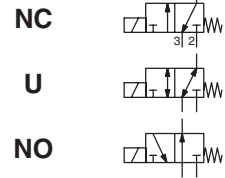
⁽²⁾ Incl. coil(s) and connector(s).

All leaflets are available on: www.asco.com



SOLENOID VALVES

direct operated
in-line
1/4



3/2
Series
370

FEATURES

- Solenoid valves with three ports in body enabling convenient installation
- Coils interchangeable without dismantling the valve
- Optional maintained or impulse manual operator
- The solenoid valves satisfy all relevant EU directives

GENERAL

Differential pressure See «SPECIFICATIONS» [1 bar = 100 kPa]
Maximum viscosity 40 cSt (mm²/s)
Response time 5- 20 ms

fluids (*)	temperature range (TS)	seal materials (*)
air, inert gas, water, oil	-25°C to +80°C	NBR (nitrile) VMQ (silicone)

MATERIALS IN CONTACT WITH FLUID

(*) Ensure that the compatibility of the fluids in contact with the materials is verified

	Brass body	Stainless steel body
Body	Brass	AISI 316L (1.4404)
Internal parts	Stainless steel, plastic	Stainless steel
Springs	Stainless steel	Stainless steel
Seats	Brass	Brass
Discs	NBR (FPM or EPDM)	NBR (FPM or EPDM)
O'rings	VMQ	VMQ
Disc holder and core guide	POM	POM
Shading coil	Copper	Copper

ELECTRICAL CHARACTERISTICS

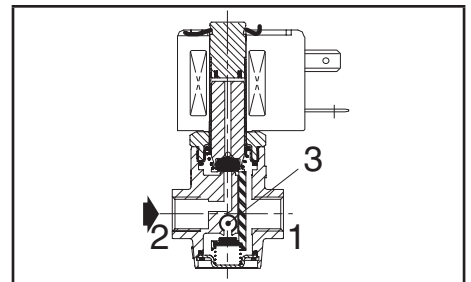
Coil insulation class F
Connector Spade plug (cable Ø 6-10 mm)
Connector specification ISO 4400 / EN 175301-803, form A
Electrical safety IEC 335
Electrical enclosure protection Moulded IP65 (EN 60529)
Standard voltages DC (=): 24V - 48V
 (Other voltages and 60 Hz on request) AC (~): 24V - 48V - 115V - 230V / 50 Hz

prefix option	power ratings				operator ambient temperature range (TS) (C°)	replacement coil		type ⁽¹⁾
	inrush ~	holding ~		=		~	=	
		(VA)	(VA)					
SC	55	23	10,5	9 / 11,2	-25 to +60	230 V/50 Hz	24 V DC	01

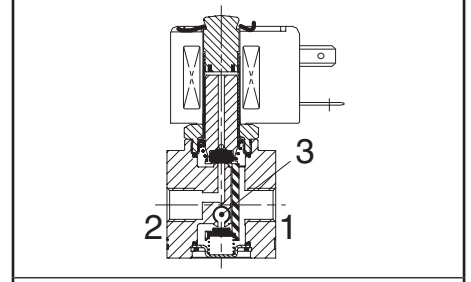
⁽¹⁾ Refer to the dimensional drawings on the following page..

SPECIFICATIONS

pipe size	orifice size	flow coefficient Kv		operating pressure differential (bar)				power coil (W)		catalogue number				options				
														min.	max. (PS)		brass	stainless steel
										air (*)	water/oil (*)	~	=		~	=		
(G*)	(mm)	(m ³ /h)	(l/min)	~	=	~	=	~	=	~	=	~	=	~	=	~	=	
NC - Normally closed																		
1/4	2	0,11	1,8	0	16	16	16	16	10,5	11,2	SCE370A016	SCE370A016	SCE370A046	SCE370A046	MS	V	E	
	2,7	0,2	3,3	0	10	10	10	10	10,5	11,2	SCE370A017	SCE370A017	SCE370A047	SCE370A047	MS	V	E	
	3,8	0,3	5	0	5	5	5	5	10,5	11,2	SCE370A018	SCE370A018	SCE370A048	SCE370A048	MS	V	E	
U - Universal																		
1/4	2	0,11	1,8	0	8	8	8	8	10,5	11,2	SCE370A026	SCE370A026	SCE370A056	SCE370A056	MS	V	E	
	2,7	0,2	3,3	0	5	5	5	5	10,5	11,2	SCE370A027	SCE370A027	SCE370A057	SCE370A057	MS	V	E	
	3,8	0,3	5	0	2	2	2	2	10,5	11,2	SCE370A028	SCE370A028	SCE370A058	SCE370A058	MS	V	E	
NO - Normally open																		
1/4	2	0,11	1,8	0	10	10	10	10	10,5	11,2	SCE370A021	SCE370A021	SCE370A051	SCE370A051	MS	V	E	
	2,7	0,2	3,3	0	7	7	7	7	10,5	11,2	SCE370A022	SCE370A022	SCE370A052	SCE370A052	MS	V	E	
	3,8	0,3	5	0	3	3	3	3	10,5	11,2	SCE370A023	SCE370A023	SCE370A053	SCE370A053	MS	V	E	



NC function (brass body)



U function (stainless steel body)

00071GB-2017/R01
Availability, design and specifications are subject to change without notice. All rights reserved.

All leaflets are available on: www.asco.com



青岛秉诚自动化设备有限公司
地址：中国·青岛市重庆南路99号海尔云街甲3号楼7F

服务热线：4006-918-365
网址：http://www.ivalve.com

Solenoid valves (3/2) - 15
传真：(86-532)585-10-365
Email：sales@bechinas.com

OPTIONS

- Valves can also be supplied with FPM (fluoroelastomer) and EPDM (ethylene-propylene) seals and discs. Use the appropriate optional suffix letter for identification
- Waterproof enclosure with embedded screw terminal coil according to protection class IP67, CEE-10 (prefix WP or WS)
- Explosionproof enclosures for use in zones 1/21-2/22, categories 2-3 to ATEX Directive 2014/34/EU (www.asco.com)
- Class H coil (10,5 W/11,2 W), prefix HT, example: SCHTE370A016
- Impulse or maintained manual operator, suffix MO (brass body valves)
- Oxygen service with seals and disc in FPM, suffix N, example: SCE370A016NV
- Mounting holes on stainless steel version: 2 ØM4, 7 mm depth, available on request, please contact us
- Other pipe connections are available on request
- Connector with visual indication and peak voltage suppression or with cable length of 2 m (www.asco.com)

INSTALLATION

- The solenoid valves can be mounted in any position without affecting operation
- Brass body solenoid valves have 2 mounting holes in body
- Pipe connections (G*) have standard combination thread according to ISO 228/1 and ISO 7/1
- Installation/maintenance instructions are included with each valve

SPARE PARTS KIT

catalogue number	spare parts kit no.		
	~	=	maintained man. operator
SCE370A016/017/018	C140044	C140044	C140048
SCE370A046/047/048	C140044	C140044	C140072
SCE370A061/062/063	-	C140043	C140048
SCE370A026/027/028	C140047	C140047	C140048
SCE370A056/057/058	C140047	C140047	C140072
SCE370A064/065/066	-	C140046	C140048
SCE370A021/022/023	C140045	C140045	C140048
SCE370A051/052/053	C140045	C140045	C140072

⁽¹⁾ Standard suffixes E and V are also applicable to kits.
- Not available

ORDERING EXAMPLES:

SC	E	370	A	016	MS	230V / 50 Hz
SC	E	370	A	046	V	115V / 50 Hz
SC	E	370	A	061		24V / DC

prefix — pipe thread — basic number — voltage — suffix

ORDERING EXAMPLES KITS:

C140044 ⁽¹⁾	
C140043	V
C140045	E

basic number — suffix

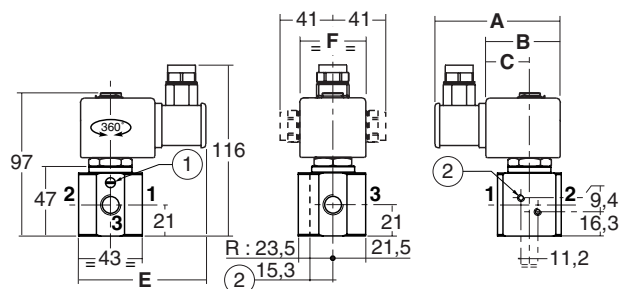
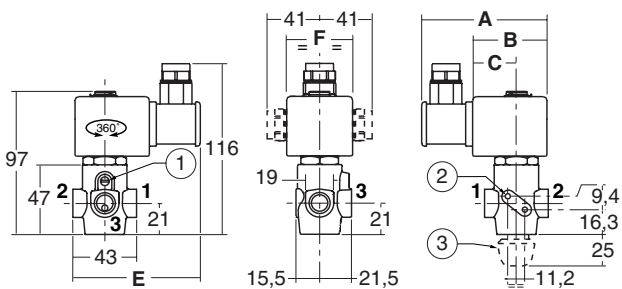
DIMENSIONS (mm), WEIGHT (kg)



TYPE 01
Prefix "SC" Solenoid
Epoxy moulded
IEC 335 / ISO 4400
IP65

Type 01: SCE370A016/017/018/026/027/028/021/022/023

Type 01: SCE370A046/047/048/056/057/058/051/052/053



type	prefix option	catalogue number	A	B	C	E	F	weight ⁽²⁾
01	SC	SCE370A016/017/018/026/027/028/021/022/023	85	50	30	86	45	0,600 ⁽³⁾
		SCE370A046/047/048/056/057/058/051/052/053	85	50	30	86	45	0,820

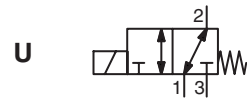
⁽²⁾ including coil and connector. ⁽³⁾ +0,030 kg with push-turn manual operator.

- Manual operator location.
- Mounting 2 Ø M4, 7 mm depth (Option with stainless steel body valves).
- Impulse or maintained manual operator (suffix MO).



SOLENOID VALVES

direct operated, high flow
balanced poppet
1/4 - 1/2



3/2
Series
327

FEATURES

- The valves are certified according to IEC 61508 Functional Safety data and have SIL-3 capability (TUV & Exida certification)
- The solenoid valves are recommended for pilot applications with basic flow (Ø5,5 mm) or high flow (Ø12 mm), wide pressure ranges and no minimum operating pressure
- PTFE rider rings and graphite-filled PTFE seals reduce friction and eliminate sticking
- Dedicated execution for extreme low ambient temperatures
- The solenoid valves satisfy all relevant EU directives
- Manual Operators are optional including an under pressure removable type

GENERAL

Differential pressure 0 - 10 bar [1 bar =100 kPa]
Maximum viscosity 65 cSt (mm²/s)
Response time < 100 ms

fluids (*)		temperature range (TS)	seal materials (*)
5,7 mm	air, inert gas, water, oil	-20°C to +120°C	FPM (fluoroelastomer)
		-40°C to +40°C	VMQ (silicone)
		-50°C to +60°C	(F)VMQ ((fluoro)silicone)
12 mm	air, inert gas	-25°C to +60°C	NBR (nitrile)
		-10°C to +90°C	FPM (fluoroelastomer)
		-50°C to +60°C	(F)VMQ ((fluoro)silicone)

MATERIALS IN CONTACT WITH FLUID

(*) Ensure that the compatibility of the fluids in contact with the materials is verified

Body Brass or stainless steel AISI 316L
Stem, core tube Stainless steel
Core and plugnut Stainless steel
Springs Stainless steel
Seals & poppets Ø 5,7 mm: FPM or VMQ or (F)VMQ
Ø 12 mm: NBR or FPM or (F)VMQ
Rider ring PTFE

ELECTRICAL CHARACTERISTICS

Coil insulation class H
Connector Spade plug (cable Ø 6-10 mm)
Connector specification ISO 4400 / EN 175301-803, form A
Electrical safety IEC 335
Electrical enclosure protection Moulded IP65 (EN 60529)
Standard voltages DC (-) : 24V - 48V
(Other voltages and 60 Hz on request) AC (~) : 24V - 48V - 115V - 230V⁽²⁾ / 50 Hz

prefix option	power ratings				operator ambient temperature range (TS) (C°)	replacement coil		type ⁽¹⁾
	inrush		holding			~	=	
	~	=	~	=				
SC	10	10	10	9 / 11,2	-40 to +55	230 V/50 Hz	24 V DC	01
	3,7	3,7	3,7	3,2 / 3,6	-40 to +55	123664-017 ⁽²⁾	400425-142	02
	10	10	10	9 / 10	-40 to +60	400924-197	400923-342	02
	14,1	14,1	14,1	11 / 14	-40 to +90	400924-697	400923-642	02

⁽¹⁾ Refer to the dimensional drawings on the following page.

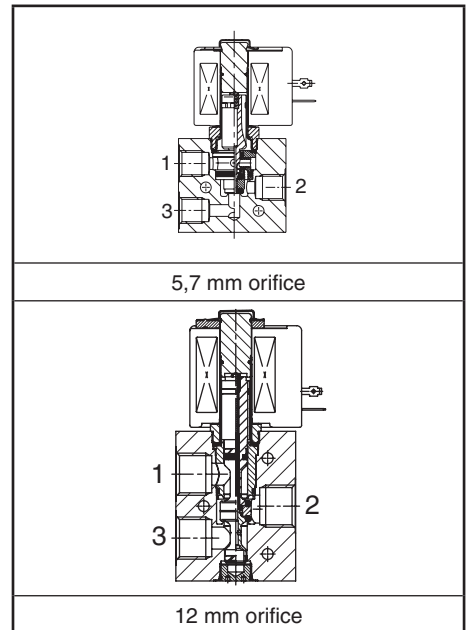
⁽²⁾ 3,7 W: Limited to max. 115 V / 50 Hz / Replacement coil 115 V/50 Hz: 400924-098

SPECIFICATIONS

pipe size	orifice size	flow coefficient Kv		operating pressure differential (bar)				power coil (W)		catalogue number		options					
				max. (PS)								maintained man. operator ⁽⁴⁾	impulse man. operator ⁽⁴⁾				
				min..		air (*)										water(*)	
G	(mm)	(m ³ /h)	(l/min)	~	=	~	=	~	=	brass	stainless steel	~/=	~/=				
U - Universal, FPM seals and poppets																	
1/4	5,7	0,45	7,5	0	10	10	10	10	10	11,2	SCG327B001	SCG327B002	MS ⁽³⁾	MO	-	-	
	12	1,5	25	0	10	10	-	-	14,1	14	SCG327B101	SCG327B102	MS ⁽³⁾	MO	-	-	
1/2	12	1,5	25	0	10	10	-	-	14,1	14	SCG327A649	SCG327A650	MS ⁽³⁾	MO	-	-	
											SCG327A609	SCG327A610	MS ⁽³⁾	MO	-	-	
U - Universal, NBR seals and poppets																	
1/4	12	1,5	25	0	10	10	-	-	10	10	SCG327A647	SCG327A648	MS ⁽³⁾	MO	-	-	
1/2											SCG327A607	SCG327A608	MS ⁽³⁾	MO	-	-	
U - Universal, VMQ seals and poppets																	
1/4	5,7	0,45	7,5	0	10	10	10	10	10	11,2	SCG327B011	SCG327B012	MS ⁽³⁾	MO	-	-	
U - Universal, (F)VMQ seals and poppets																	
1/4	5,7	0,45	7,5	0	10	10	10	10	3,7	3,6	SCG327B111	SCG327B112	MS ⁽³⁾	MO	-	-	
	12	1,5	25	0	10	10	-	-	10	10	SCG327A645	SCG327A646	MS ⁽³⁾	MO	-	-	
1/2	12	1,5	25	0	10	10	-	-	10	10	SCG327A605	SCG327A606	MS ⁽³⁾	MO	-	-	

⁽³⁾ Functional Safety certification is not applicable with this feature.

⁽⁴⁾ Under pressure removable execution (Consult our catalogue «Pilot Valves and Systems for the Process Industry» at: www.asco.com)



00073GB-2017/R01 Availability, design and specifications are subject to change without notice. All rights reserved.

All leaflets are available on: www.asco.com



青岛秉诚自动化设备有限公司
地址：中国·青岛市重庆南路99号海尔云街甲3号楼7F

服务热线：4006-918-365
网址：http://www.ivalve.cc

Solenoid valves (3/2) - 17
传真：(86-532)585-10-365
Email：sales@bechinas.com

OPTIONS

- Waterproof enclosure with embedded screw terminal coil according to protection class IP67, CEE-10
- Explosionproof enclosures for use in zones 1/21-2/22, categories 2-3 to ATEX Directive 2014/34/EU (www.asco.com)
- Compliance with "UL", "CSA" and other local approvals available on request
- 3/8" pipe thread executions are available on request
- Manual reset construction
- Stainless steel exhaust protector for valves certified to IEC 61508 Functional Safety, catalogue number: **34600419** (G1/4) or **34600479** (G1/2)
- Other pipe connections are available on request
- Connector with visual indication and peak voltage suppression or with cable length of 2 m (www.asco.com)

INSTALLATION

- The solenoid valves can be mounted in any position without affecting operation
- Solenoid valves have 2 or 3 mounting holes in body
- Pipe connection identifier is G = G (ISO 228/1)
- Installation/maintenance instructions are included with each valve

SPARE PARTS KIT

catalogue number	spare parts kit no.
SCG327B001/002	C123670
SCG327B011/012	C131237
SCG327B101/102	C132251
SCG327B111/112	C132253
SCG327A605/606/645/646	C117638
SCG327A607/608/647/648	C117640
SCG327A609/610/649/650	C117640V

(1) Standard prefixes/suffixes are also applicable to kits.

ORDERING EXAMPLES:

SC	G	327	B	001	230V / 50 Hz
SC	G	327	B	101 MS	115V / 50 Hz
SC	G	327	A	647	24V / DC
SC	G	327	B	002 MO	230V / 50 Hz

prefix pipe thread basic number voltage suffix

ORDERING EXAMPLES KITS:

C123669 ⁽¹⁾	
C132251	
C132640	V

basic number suffix

DIMENSIONS (mm), WEIGHT (kg)



TYPE 01-02

Prefix "SC" Solenoid
Epoxy moulded
IEC 335 / ISO 4400
IP65

Type 01: SCG327B001/002/011/012

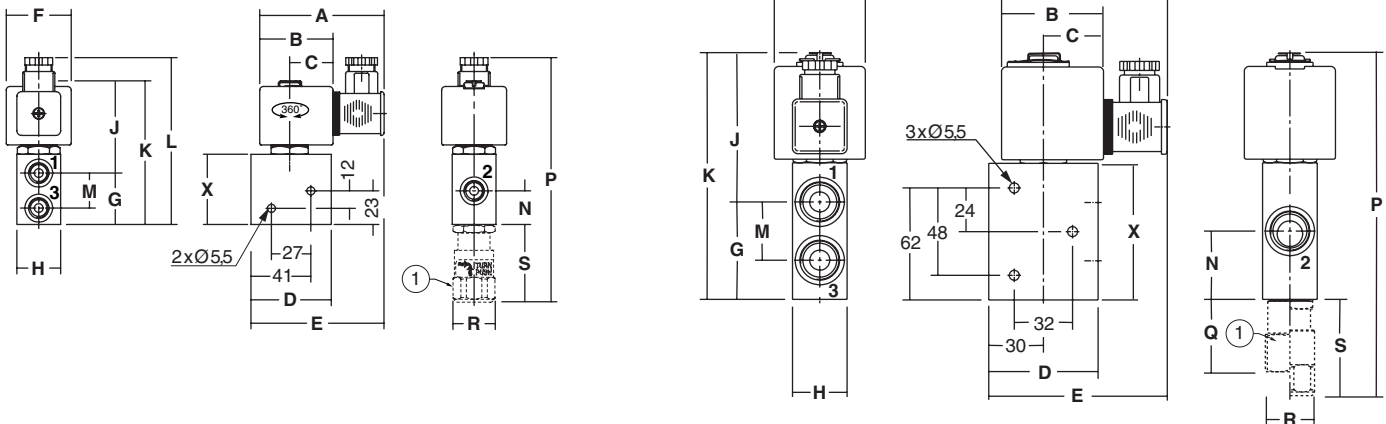
Type 02: SCG327B101/102/111/112



TYPE 02

Prefix "SC" Solenoid
Epoxy moulded
IEC 335 / ISO 4400
IP65

SCG327A605/606/607/608/609/610/645/646/647/648/649/650



(1) Manual operator location (Type MO/MS)

type	prefix option	catalogue number	A	B	C	D	E	F	G	H	J	K	L	M	N	P	Q	R	S	X	weight ⁽²⁾
01	SC	SCG327B001/002/011/012	86	50	30	55	88	45	35	30	55	90	114	24	23	167	-	29	54	48	0,95
		SCG327B101/102/111/112	92	56	33	55	91	50	35	30	74	109	108	24	23	162	-	29	54	48	1,05
02	SC	SCG327A605/606/607/608/609/610/645/646/647/648/649/650	92	56	33	60	100	50	54	30	81	135	-	32	38	189	40	29	54	76	1,6

(2) including coil and connector.

All leaflets are available on: www.asco.com

18 - Solenoid valves (3/2)

BCAE
Automation Solutions

青岛秉诚自动化设备有限公司
地址：中国·青岛市重庆南路99号海尔云街甲3号楼7F

服务热线：4006-918-365
网址：<http://www.ivalve.com>

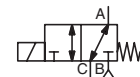
传真：(86-532)585-10-365
Email：sales@bechinas.com



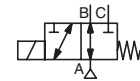
SOLENOID VALVES

direct operated, coaxial
for high pressure fluids
3/8 to 1

NC



NO



3/2
Series
387

FEATURES

- Coaxial-type solenoid operated valve designed for high flow rates with low pressure loss
- Compatible with viscous or abrasive gases and liquids
- Suitable for high pressure applications
- Solenoid operated valve designed for long service life
- Vacuum operation up to 10^{-4} mbar
- The valves satisfy article 4.3 of Pressure Equipment Directive 2014/68/EU

GENERAL

Differential pressure	40 bar (B → A : 12 bar) [1 bar = 100 kPa]
Maximum viscosity	500 cSt (mm ² /s)
Response time (air operation ΔP = 4 bar)	3/8 1/2 3/4 1
opening time (ms)	45 60 105 150
closing time (ms)	70 130 150 190

fluids (*)	temperature range (TS)	seal materials (*)
air and gas groups 1 & 2 water, oil, liquids groups 1 & 2	-20°C to +100°C	FPM (fluoroelastomer) PTFE

MATERIALS IN CONTACT WITH FLUID

(*) Ensure that the compatibility of the fluids in contact with the materials is verified

Body	Brass
Internal parts	Brass
Tube	Stainless steel
Seals	FPM /PTFE
Disc seal	FPM

ELECTRICAL CHARACTERISTICS

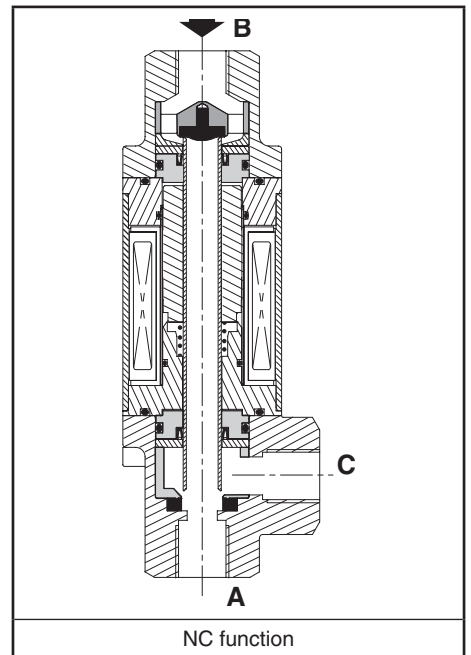
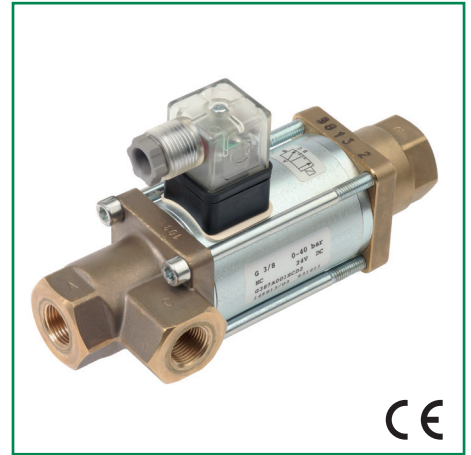
Coil insulation class	H
Connector (rectifier for AC)	Spade plug (cable Ø 6-8 mm) with indicator LED
Connector specification	ISO 4400 / EN 175301-803, form A
Electrical safety	IEC 335
Electrical enclosure protection	IP65 (EN 60529)
Standard voltages	DC (=) : 24V AC (~) : 115V - 230V / 50 Hz

prefix option	pipe size	power ratings (integrated coil DC (=), cold)			operator ambient temperature range (TS) (C°)	replacement coil		type ⁽¹⁾
		115 V ~ (W)	230 V ~ (W)	24 V ~/= (W)		~ 230 V/50 Hz	= 24 V DC	
SC	3/8	40	42	35	-20 to +60	-	-	01
	1/2	45	55	51				
	3/4	62	60	53				
	1	68	69	60				

⁽¹⁾ Refer to the dimensional drawings on the following page.

SPECIFICATIONS

pipe size	DN	flow coefficient Kv				operating pressure differential (bar)				power coil (W)		catalogue number	
						max. (PS)							
		air/gas/water/oil (*)				min.	B → A	B → A	A ↔ C	A → B			
G		A → B (m ³ /h)	A → B (l/min)	A → C (m ³ /h)	A → C (l/min)		~	=	~/=	~/=	~	=	~/=
NC - Normally closed													
3/8	10	2,2	36,6	1,6	26,6	0	12	12	40	40	42	35	SCG387A001
1/2	15	5,2	86,6	3,6	60	0	12	12	40	40	55	51	SCG387A002
3/4	20	7,5	125	5,6	93,3	0	12	12	40	40	60	53	SCG387A003
1	25	12,2	203,3	10,2	170	0	12	12	40	40	69	60	SCG387A004
NO - Normally open													
3/8	10	2,2	36,6	1,6	26,6	0	12	12	40	40	42	35	SCG387A005
1/2	15	5,2	86,6	3,6	60	0	12	12	40	40	55	51	SCG387A006
3/4	20	7,5	125	5,6	93,3	0	12	12	40	40	60	53	SCG387A007
1	25	12,2	203,3	10,2	170	0	12	12	40	40	69	60	SCG387A008



NC function

00074GB-2017/R01 Availability, design and specifications are subject to change without notice. All rights reserved.

All leaflets are available on: www.asco.com



青岛秉诚自动化设备有限公司
地址：中国·青岛市重庆南路99号海尔云街甲3号楼7F

服务热线：4006-918-365
网址：<http://www.ivalve.com>

Solenoid valves (3/2) - 19
传真：(86-532)585-10-365
Email：sales@bechinas.com

OPTIONS

- Connector rectifier: 115 V AC, catalogue number: **88122635**; 230 V AC, catalogue number: **88122634**

INSTALLATION

- The solenoid valves can be mounted in any position without affecting operation
- Solenoid valves have 2 mounting holes in body
- Pipe connection identifier is G = G (ISO 228/1)
- Installation/maintenance instructions are included with each valve

SPARE PARTS KIT & ACCESSORIES

catalogue number	spare parts kit no.	mounting bracket no.
SCG387A001/005	C140209	C140130
SCG387A002/006	C140211	C140131
SCG387A003/007	C140213	C140132
SCG387A004/008	C140215	C140133

ORDERING EXAMPLES:

SC	G	387 A	001	230V / 50 Hz
SC	G	387 A	005	115V / 50 Hz
SC	G	387 A	008	24V / DC

prefix — pipe thread — basic number — voltage — suffix

ORDERING EXAMPLES KITS:

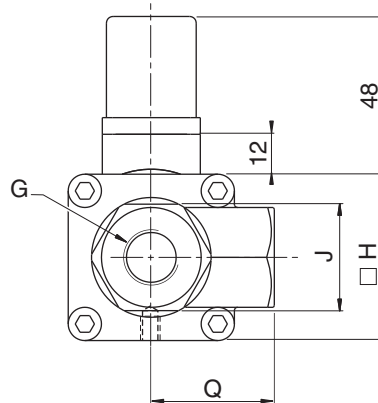
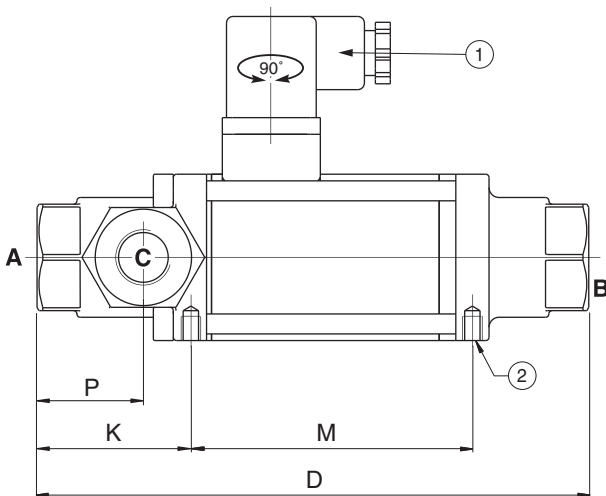
	C140209
	C140213

basic number —

DIMENSIONS (mm), WEIGHT (kg)



TYPE 01
Prefix "SC" Solenoid
IEC 335 / ISO 4400
IP65



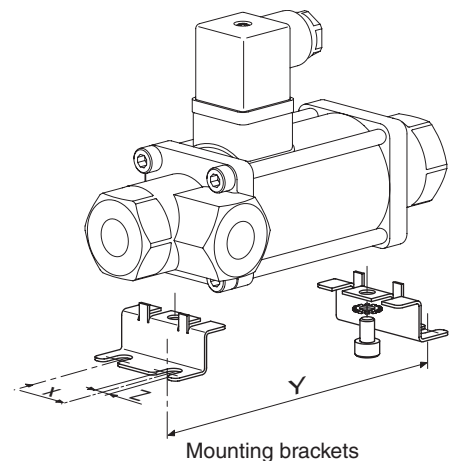
Pressure inlet:

- NC function = Port B
- NO function = Port C

- ① Connector rectifier for AC (~)
- ② 2 mounting holes Ø M5, depth 7 mm

type	prefix option	G	D	H	J	K	M	P	Q	X	Y	Z	weight ⁽¹⁾
01	SC	3/8	166	50	32	46	85	32	37	24	111	6	2,0
		1/2	200	70	41	58	103	38,5	60	38	136	6	4,1
		3/4	229	80	46	71	111	45,5	72	45	151	7	6,0
		1	249	90	55	73	121	48	80	50	165	7	8,1

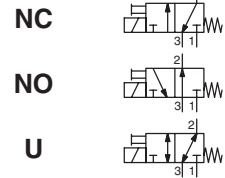
⁽¹⁾ Including connector (without mounting brackets).





MINI-SOLENOID VALVES

ISO 15218 (CNOMO, size 15) interface
direct operated, pad mounting body
connector size 15



3/2
Series
302

FEATURES

- Compact, monobloc solenoid pilot valve with spade-plug connector type EN 175301-803, industry standard form C, with 9,4 mm spacing, or to EN 175301-803, form C, with 8 mm spacing
- Version with or without integrated LED and electrical protection
LED indicator visible from 3 sides
- The solenoid valves satisfy all relevant EU directives

GENERAL

Differential pressure
Pneumatic base
Connection
Response time

See «SPECIFICATIONS» [1 bar = 100 kPa]
ISO 15218 (CNOMO E06.36.120N, size 15)
Subbase
8 - 15 ms

fluids (*)	temperature range (TS)	seal materials (*)
air or inert gas filtered at 50 µm, lubricated or not	-10°C to +50°C (LP1) ⁽¹⁾	NBR (nitrile) FPM (fluoroelastomer)
	-25°C to +60°C (LP2) ⁽¹⁾	
	-25°C to +60°C / +50°C (LP3) ⁽¹⁾	

⁽¹⁾ LP1, LP2, LP3: see "electrical characteristics" table

MATERIALS IN CONTACT WITH FLUID

(*) Ensure that the compatibility of the fluids in contact with the materials is verified

Body PARA
Internal parts POM, PET, stainless steel and brass
Seals NBR (disc), FPM (others)
Pneumatic interface seal TPE

OTHER MATERIALS

Coil Thermoplastic PET

ELECTRICAL CHARACTERISTICS

Coil insulation class F
Connector Spade plug (cable Ø 4-6 mm)
Connector specification EN 175301-803, industry standard form B (9,4 mm)
or EN 175301-803, form C (8 mm)

Electrical safety IEC 335
Electrical enclosure protection Moulded IP65 (EN 60529)
Standard voltages DC (=): 24V
(Other voltages on request) AC (~): 24V - 115V - 230V / 50-60 Hz

power ranges	coils		power ratings (↔)			operator ambient temperature range ⁽³⁾ (TS) (°C)	type ⁽²⁾
	voltages (V)		inrush	holding	hot/cold		
LP1	-	24	-	-	-	0,5 / 0,55	-10 to +50
LP2	24-115	24	1,4	1,2	1,1	1 / 1,2	-25 to +60
LP3	230	24	2,1	1,6	1,5	2 / 2,65	-25 to +60 (~)/+50 (=) ⁽³⁾

⁽²⁾ Refer to the dimensional drawings on the following page. ⁽³⁾ With LED and joinable subbase mounting, see following pages

SPECIFICATIONS (NO and U, following page)

orifice size (mm)	flow				operating pressure differential (bar)		power ranges	basic catalogue number			
	at 6 bar l/min (ANR)		coefficient Kv		min.	max. (PS)		manual operator			
	1 → 2	2 → 3	1 → 2	2 → 3				impulse		maintained	
								9,4 mm	8 mm	9,4 mm	8 mm
	~	=						~	=	~	=
NC - Normally closed (Without LED and protection)											
0,6	11	20	0,11	0,26	0	8	LP1	-	30211106	-	30211107
					0	10	LP2	30211109	30210109	30211110	30210110
0,8	17	28	0,22	0,35	0	8	LP2	30211112	30210112	30211113	30210113
					0	5	LP2	30211118	30210118	30211119	30210119
					0	10	LP3	30211121	30210121	30211122	30210122
1,5	39	53	0,50	0,56	0	3	LP2	30211124	30210124	30211125	30210125
					0	6	LP3	30211127	30210127	30211128	30210128
NC - Normally closed (With LED and protection) ⁽⁴⁾											
0,6	11	20	0,11	0,26	0	10	LP2	30215109	30214109	30215110	30214110
0,8	17	28	0,22	0,35	0	8	LP2	30215112	30214112	30215113	30214113
					0	5	LP2	30215118	30214118	30215119	30214119
					0	10	LP3	30215121	-	30215122	-
					0	3	LP2	30215124	30214124	30215125	30214125
					0	6	LP3	30215127	-	30215128	-

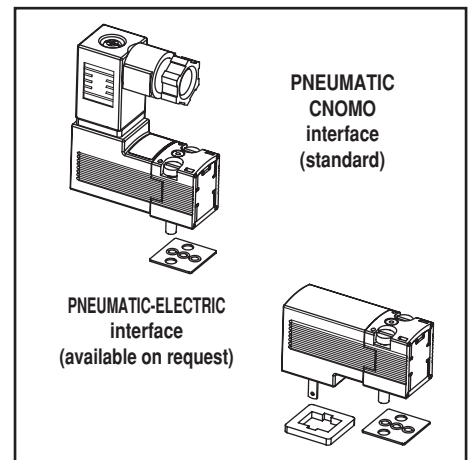
⁽⁴⁾ Only available in 24 V AC/DC and 115 V AC.

When ordering, please specify in addition to the basic catalogue number:
the type of current: voltage / frequency + the version: with or without connector

	~	=
with connector	--A	--D
without connector	--L	--P

to be inserted after
the basic catalogue number

Examples: • with connector 24V DC : 30211109--D 24V DC
• without connector 24V DC : 30211109--P 24V DC



00075GB-2017/R01 Availability, design and specifications are subject to change without notice. All rights reserved.



青岛秉诚自动化设备有限公司
地址：中国·青岛市重庆南路99号海尔云街甲3号楼7F

服务热线：4006-918-365
网址：http://www.ivalve.cc

Solenoid valves (3/2) - 21
传真：(86-532)585-10-305
Email：sales@bechinas.com

All leaflets are available on: www.asco.com

SPECIFICATIONS: NO, U

orifice size (mm)	flow				operating pressure differential (bar)		power ranges	basic catalogue number			
	at 6 bar l/min (ANR)		coefficient Kv					manual operator		impulse	
	1 → 2	2 → 3	1 → 2	2 → 3				min.	max. (PS)	9,4 mm	8 mm
	~	=	=	=	=	=					
NO - Normally open (Without LED and protection)											
0,8	20	17	0,26	0,20	0	8	LP2	30211130	30210130	30211131	30210131
					0	10	LP3	30211133	30210133	30211134	30210134
1	28	32	0,35	0,35	0	5	LP2	30211136	30210136	30211137	30210137
					0	8	LP3	30211139	30210139	30211140	30210140
1,5	53	39	0,56	0,50	0	2	LP2	30211142	30210142	30211143	30210143
					0	6	LP3	30211145	30210145	30211146	30210146
NO - Normally open (With LED and protection)⁽⁵⁾											
0,8	20	17	0,26	0,20	0	8	LP2	30215130	30214130	30215131	30214131
					0	10	LP3	30215133	30214133	30215134	30214134
1	28	32	0,35	0,35	0	5	LP2	30215136	30214136	30215137	30214137
					0	8	LP3	30215139	-	30215140	-
1,5	53	39	0,56	0,50	0	2	LP2	30215142	30214142	30215143	30214143
					0	6	LP3	30215145	-	30215146	-
	1 ↔ 2	2 ↔ 3	1 ↔ 2	2 ↔ 3							
U - universal (Without LED and protection)											
0,8	17	20	0,20	0,26	0	6	LP2	30211148	30210148	30211149	30210149
U - universal (With LED and protection)⁽⁵⁾											
0,8	17	20	0,20	0,26	0	6	LP2	30215148	30214148	30215149	30214149

⁽⁵⁾ Only available in 24 V AC/DC and 115 V AC.

When ordering, please specify in addition to the basic catalogue number:

the type of current: voltage / frequency + the version: with or without connector

	~	=
with connector	--A	--D
without connector	--L	--P

{ to be inserted after
the basic catalogue number

Examples: • with connector 24V DC : **30211130--D** 24V DC
• without connector 24V DC : **30211130--P** 24V DC

OPTIONS AND ACCESSORIES

- Seals and disc made of FPM (fluoroelastomer)
- Versions without manual operator and Uv (Universal vacuum): contact us
- Version with pneumatic-electric interface
- Version 12 V DC, LP2, connector EN 175301-803, industry standard form C (9,4 mm)
- Connector EN 175301-803, form C (8 mm): (www.asco.com)
 - standard: catalogue number **88130211**
 - with cable 2 m length: Contact us
- Connector EN 175301-803, industry standard form C (9,4 mm): (www.asco.com)
 - standard: catalogue number **88143581**
 - with cable 2 m length: catalogue number **88143567**
- Explosionproof enclosures for use in zones 0/20-1/21-2/22, categories 1-2-3 to ATEX-Directive 2014/34/EU (www.asco.com)

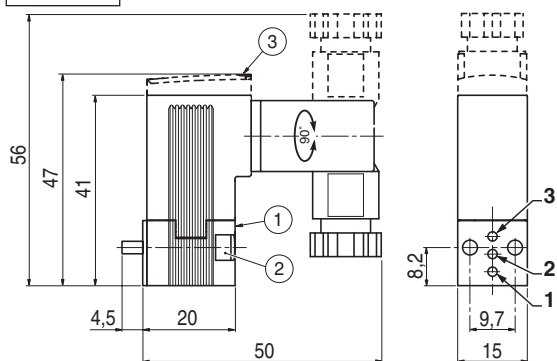
INSTALLATION

- The solenoid valves can be mounted in any position without affecting operation
- Solenoid valve supplied with mounting screws and mounting pad seal(s)
- Installation/maintenance instructions are included with each valve

DIMENSIONS (mm), WEIGHT (kg)

TYPE 01

IEC 335 / EN 175301-803
IP65

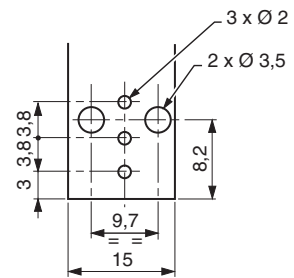


function	connection		
	1	2	3
NC	P	O	E
NO	E	O	P
MIX	P2	O	P1
SEL	O 2	P	O 1

P: Pressure
E: Exhaust

O: Outlet

Subbase mounting surface: ISO 15218
(CNOMO E06.36.120N, size 15)



- ① Manual operator location
- ② 2 mounting screw M3 x 20
- ③ Version with LED and electrical protection

weight⁽¹⁾
0,047

⁽¹⁾ with standard connector.

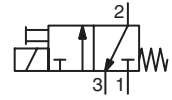
All leaflets are available on: www.asco.com



MINI-SOLENOID VALVES

ISO 15218 (CNOMO, size 15) interface
direct operated, pad mounting body
connection M12 or with cable ends

NC



3/2
Series
302

FEATURES

- Compact, monobloc solenoid pilot valve with M12 connector or cable ends
- Version with integrated LED indicator and electrical protection.
LED indicator visible from 3 sides
- The solenoid valves satisfy all relevant EU directives

GENERAL

Differential pressure See «SPECIFICATIONS» [1 bar = 100 kPa]
Pneumatic base ISO 15218 (CNOMO E06.36.120N, size 15)
Connection Subbase
Response time 8 - 15 ms

fluids (*)	temperature range (TS)	seal materials (*)
air or inert gas filtered at 50 µm, lubricated or not	-25°C to +60°C (LP2) ⁽¹⁾	NBR (nitrile) FPM (fluoroelastomer)

⁽¹⁾ LP2: see "electrical characteristics" table

MATERIALS IN CONTACT WITH FLUID

(*) Ensure that the compatibility of the fluids in contact with the materials is verified

Body PAA
Internal parts POM, PET, stainless steel and brass
Pneumatic interface seal TPE

OTHER MATERIALS

Coil Thermoplastic PET

ELECTRICAL CHARACTERISTICS

Coil insulation class F
Connection Connector M12 or cable ends
Electrical safety IEC 335

connector M12 CNOMO E03.62.520.N
 cable ends EN 60730

Electrical enclosure protection Moulded IP67 (EN 60529)
Standard voltages DC (=) : 24V

coils		power ratings (◇)				operator ambient temperature range ⁽³⁾ (TS) (°C)	type ⁽²⁾
power ranges	voltages (V)	inrush ~	holding ~	hot/cold =			
		~ =	(VA)	(VA) (W)	(W)		
LP2	- 24	-	-	-	1,15 / 1,35	-25 to +60	01-02-03

⁽²⁾ Refer to the dimensional drawings on the following page. ⁽³⁾ For joinable subbase mounting, see pages suivantes.

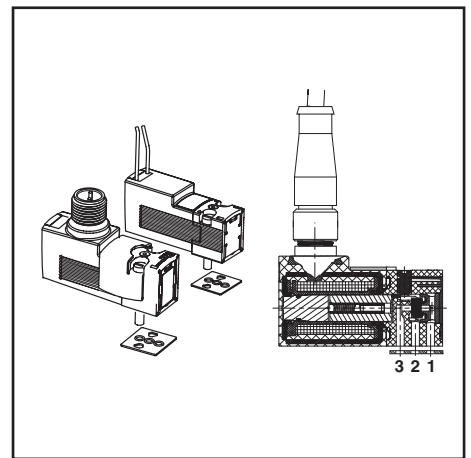
SPECIFICATIONS

orifice size (mm)	flow at 6 bar l/min (ANR)		coefficient Kv		operating pressure differential (bar)		power ranges	basic catalogue number		
	1 → 2	2 → 3	1 → 2	2 → 3	min.	max. (PS)		impulse	manual operator	maintained
NC - Normally closed, connection M12 + LED and protection										
0,6	11	20	0,11	0,26	0	10	LP2	30212109		30212110
0,8	17	28	0,22	0,35	0	8	LP2	30212112		30212113
1,1	32	51	0,35	0,50	0	5	LP2	30212118		30212119
1,5	39	53	0,50	0,56	0	3	LP2	30212124		30212125
NC - Normally closed, cable ends + LED and protection										
0,6	11	20	0,11	0,26	0	10	LP2	30213109		30213110
0,8	17	28	0,22	0,35	0	8	LP2	30213112		30213113
1,1	32	51	0,35	0,50	0	5	LP2	30213118		30213119
1,5	39	53	0,50	0,56	0	3	LP2	30213124		30213125

When ordering:

	M12	cable	} to be inserted after the basic catalogue number
with connector	--D		
without connector	--P		
complete		--D	

Examples: • M12 with connector : 30212109--D
 • M12 without connector : 30212109--P
 • cable ends : 30213109--D



(◇) Nominal power ratings of standard versions (with LED indicator and electrical protection)

00075GB-2017/R01 Availability, design and specifications are subject to change without notice. All rights reserved.

All leaflets are available on: www.asco.com



青岛秉诚自动化设备有限公司
 地址：中国·青岛市重庆南路99号海尔云街甲3号楼7F

服务热线：4006-918-365
 网址：http://www.ivalve.com

Solenoid valves (3/2) - 23
 传真：(86-532)585-10-365
 Email：sales@bechinas.com

OPTIONS AND ACCESSORIES

- Seals and disc made of FPM (fluoroelastomer)
- Versions without manual operator, NO (Normally Open), U (Universal) and Uv (Universal vacuum): contact us
- Version with pneumatic-electric interface
- Straight M12 connector:
 - with 5 m cable length: catalogue number **88130212**
- Explosionproof enclosures for use in zones 0/20-1/21-2/22, categories 1-2-3 to ATEX-Directive 2014/34/EU (www.asco.com)

INSTALLATION

- The solenoid valves can be mounted in any position without affecting operation
- Solenoid valve supplied with mounting screws and mounting pad seal(s)
- Installation/maintenance instructions are included with each valve

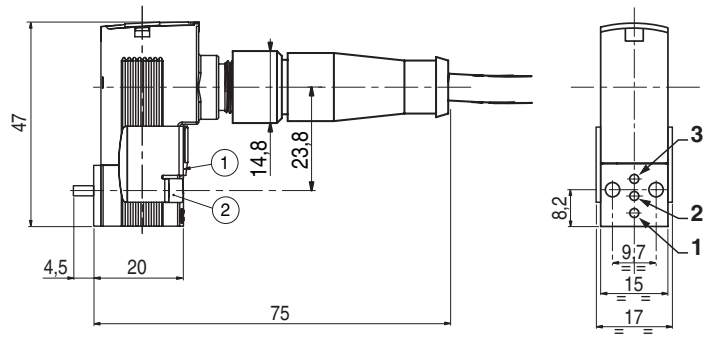
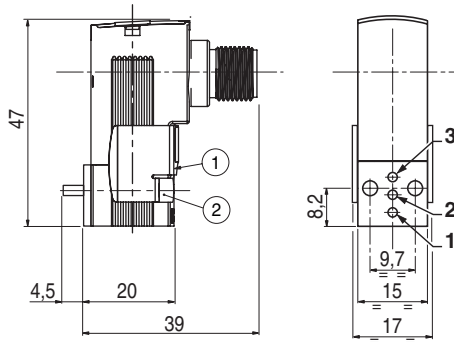
DIMENSIONS (mm), WEIGHT (kg)



TYPE 01
IEC 335
Connection M12
IP67



TYPE 02
IEC 335 /
Straight M12 connector, 5 m cable length
IP67



- ① Manual operator location.
- ② 2 mounting screw M3 x 20

weight		
M12 ⁽¹⁾	⁽²⁾	cable ends
0,049	0,288	0,040

⁽¹⁾ Without connector

⁽²⁾ With connector

function	connection		
	1	2	3
NC	P	O	E

P: Pressure

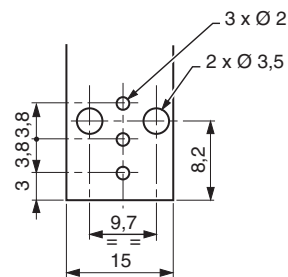
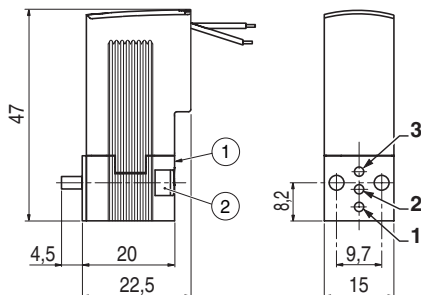
E: Exhaust

O: Outlet

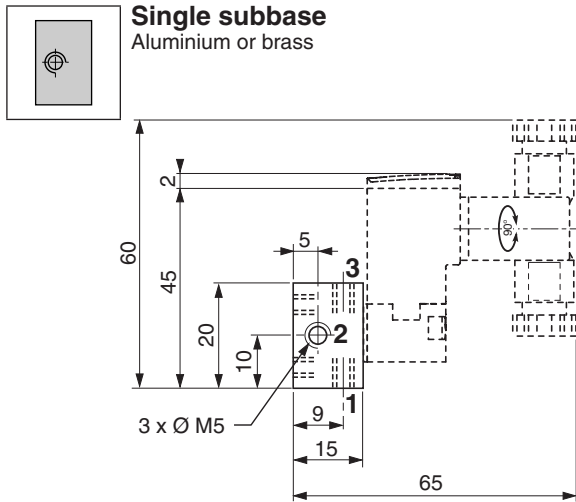


TYPE 03
IEC 335
Cable ends 0,3 m length
IP67

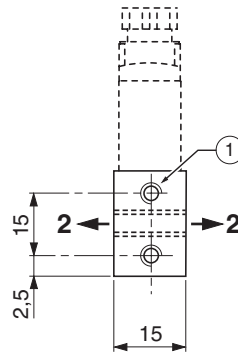
Subbase mounting surface: ISO 15218
(CNOMO E06.36.120N, size 15)



DIMENSIONS (mm), WEIGHT (kg)



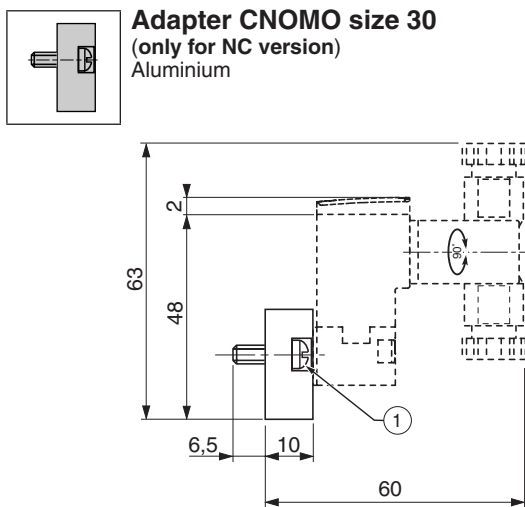
Single subbase
Aluminium or brass



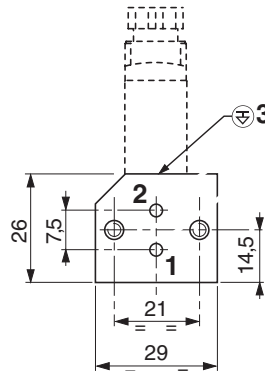
- ① Mounting: 2 holes M3, depth 4,5
- Orifice (2) can be connected on the left or on the right of the subbase.

material	catalogue number	weight ⁽¹⁾
aluminium	88263002	0,011
brass	30300001	0,034

⁽¹⁾ subbase alone



Adapter CNOMO size 30
(only for NC version)
Aluminium



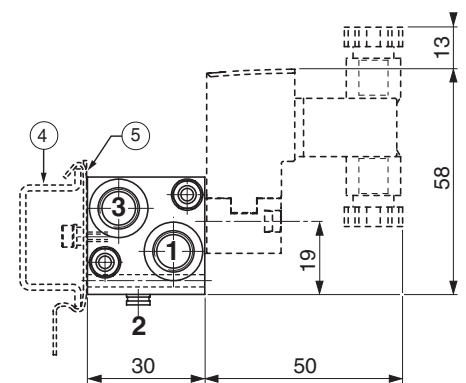
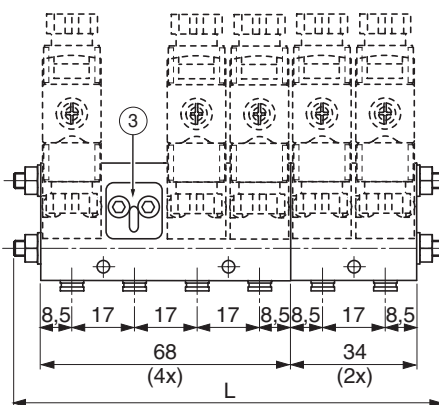
- ① Mounting: 2 screws M4 x 10 (supplied)

catalogue number	weight ⁽²⁾
88263001	0,018

⁽²⁾ adapter alone



Joinable subbases
Aluminium



- Ports 1 and 3: G1/8
- Port 2: coupling for 4mm OD tube

- ① Fixing hole \varnothing 3,2 (2 for 4x ; 1 for 2x)
- ② Fixing hole M3, depth 8 (2 for 4x ; 1 for 2x)
- ③ Mating surface blanking plates (option)
- ④ TS35 DIN rail (not supplied)
- ⑤ Clip for DIN rail mounting (option)

catalogue number	x	subbases	L	weight ⁽³⁾
35500564	2	2x	-	0,076
35500565	4	4x	-	0,148
35500566	6	4x + 2x	114	0,236
35500567	8	4x + 4x	148	0,313
35500568	10	4x + 4x + 2x	182	0,389
35500569	12	4x + 4x + 4x	216	0,466

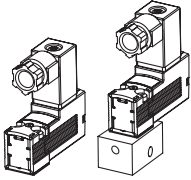
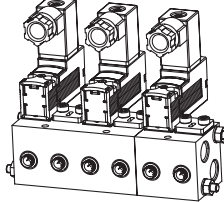
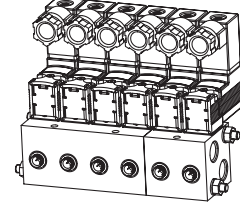
⁽³⁾ subbases alone
x = place for mini-solenoid valves.
2 plugs R1/8 supplied.

All leaflets are available on: www.asco.com

OPTIONS AND ACCESSORIES

- Additional subbase with 2 places (with seals): catalogue number **35500570**
- 2 tie-rods + nuts for a subbase with:
 4 places: catalogue number **88100752**
 6 places: catalogue number **88100753**
 8 places: catalogue number **88100754**
 10 places: catalogue number **88100755**
 12 places: catalogue number **88100756**
- Mounting kit for DIN rail (2 clips + screws + washers): catalogue number **88100757**
- Mating surface blanking plate: catalogue number **88130203**

AMBIENT TEMPERATURE RANGES

current type	power range	power coil		version	  	
		inrush/holding (VA) ~	hot/cold (W) =			
DC (=)	LP1 ⁽¹⁾	-	0,5/0,55	standard		-10°C ; +50°C
	LP2 ⁽¹⁾	-	1/1,2	standard		-25°C ; +60°C
		-	1,15/1,35	LED + protection		-25°C ; +40°C
	LP3 ⁽²⁾	-	2/2,65	standard		-25°C ; +50°C
-		2,15/2,8	LED + protection		-25°C ; +40°C	
AC (~)	LP2 ⁽²⁾	1,4/1,2	-	standard		-25°C ; +60°C
		1,8/1,6	-	LED + protection		-25°C ; +40°C
	LP3 ⁽²⁾	2,1/1,6	-	standard		-25°C ; +60°C
		2,5/2	-	LED + protection		-25°C ; +50°C

⁽¹⁾ Voltage: -15% / +20%

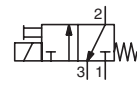
⁽²⁾ Voltage: -15% / +10%



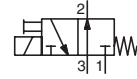
SOLENOID VALVES

ISO 15218 (CNOMO, size 30) interface
direct operated, pad mounting body
subbases for instant fittings or 1/8 thread

NC



NO



3/2
Series
189

FEATURES

- CNOMO pad-mount version for valve piloting applications
- Compact size and low weight for easy installation on single or joinable subbases
- AC/DC interchangeability of the solenoid operator without any need for disassembly of the valve
- Version with M12 connection with visual indication and peak voltage suppression conforming to "UL" standards
- Flexible installation on joinable subbases
- Manual operator as standard
- The solenoid valves satisfy all relevant EU directives

GENERAL

Differential pressure See "SPECIFICATIONS" [1 bar = 100 kPa]
Response time 5 - 10 ms

fluids (*)	temperature range (TS)	seal materials (*)
air, inert gas	-10°C to +60°C	NBR (nitrile)

MATERIALS IN CONTACT WITH FLUID

(*) Ensure that the compatibility of the fluids in contact with the materials is verified

Body	PA, glass-filled
Core tube	Stainless steel
Core and plugnut	Stainless steel
Internal parts, springs	Stainless steel
Seals	NBR
Shading coil	Copper

CONSTRUCTION

Mounting pad ISO 15218 (CNOMO 06-05-80 / NF E 49066, size 30)

ELECTRICAL CHARACTERISTICS

Coil insulation class F
Connector Spade plug (cable Ø 6-8 mm) or M12
Connector specification DIN 43650, 11 mm, industry standard B or CNOMO E03.62.520.N (M12)

Electrical safety

Electrical enclosure protection Moulded IP65 (EN 60529)
Standard voltages DC (=): 24V - 48V (M12: 24 V + LED and protection)
AC (~): 24V - 48V - 115V - 230V / 50 Hz

	power ratings				operator ambient temperature range (TS) (C°)	replacement coil		type ⁽¹⁾
	inrush ~	holding ~	hot/cold =	~		=		
	(VA)	(VA)	(W)				(W)	
-	6	3,5	2,5	2,5 / 3	-10 to +60	230 V/50 Hz	24 V DC	01
-	-	-	-	-	-	43004422	43004166	06
-	-	-	-	-	-	-	43005523	06

⁽¹⁾ Refer to the dimensional drawings on the following page.

SPECIFICATIONS

pipe size	orifice size		flow coefficient Kv				operating pressure differential (bar)				power coil (W)		catalogue number	
	1 → 2	2 → 3	1 → 2		2 → 3		min.	max. (PS)		~	=	with maintained manual operator		
	(mm)	(mm)	(m³/h)	(l/min)	(m³/h)	(l/min)		air (*)	~			=	DIN connector ~/=	M12 connection =
NC - Normally closed														
pad mounting ⁽²⁾	1,2	1,5	0,042	0,7	0,048	0,8	0	10	10	2,5	3	18900001	-	
										-	3	-	18900073	
NO - Normally open														
pad mounting ⁽²⁾	1,2	1,5	0,042	0,7	0,036	0,6	0	6 ⁽⁵⁾	6 ⁽⁵⁾	2,5	3	18900010	-	
										-	3	-	18900075	

EMBASES

pipe size	designation	composition	catalogue number
6/6 polyamide subbases			
instant fittings ⁽³⁾	single subbase (instant fittings OD 4 mm)		35300069
	joinable subbase (instant fittings OD 4 mm)		35300070
	set of 2 joinable end subbases, right-hand pressure intake, endpieces with instant fittings OD 6 mm		35300071
	set of 2 joinable end subbases, right-hand and/or left-hand pressure intake, endpieces with instant fittings OD 6 mm		35300072 ⁽⁴⁾
Zamak subbases			
G 1/8 ⁽³⁾ tapped	laterally-connected single subbase		35300047
	laterally-connected joinable subbase		35300048

⁽²⁾ Port 3: M5.

⁽³⁾ These subbases can be mounted on omega rail to EN 50022 using 2 clips (clips sold in packs of 10, catalogue number: 33400036).

⁽⁴⁾ The equipment can be used for two different pressure intakes, supplied with one blanking plug to cover unused port.

⁽⁵⁾ 10 bar on request (with 5W/6,9W coil)

All leaflets are available on: www.asco.com

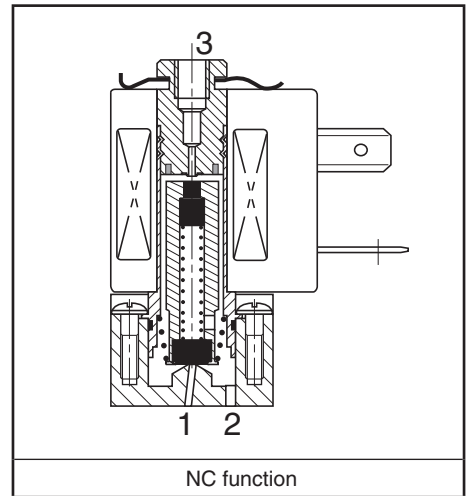
00076GB-2017/R01 Availability, design and specifications are subject to change without notice. All rights reserved.



青岛秉诚自动化设备有限公司
地址：中国·青岛市重庆南路99号海尔云街甲3号楼7F

服务热线：4006-918-365
网址：http://www.ivalve.cc

Solenoid valves (3/2) - 27
传真：(86-532)585-10-305
Email：sales@bechinas.com



OPTIONS

- Explosionproof enclosures for use in zones 1/21-2/22, categories 2-3 to ATEX Directive 2014/34/EU (www.asco.com)
- Straight M12 connector (IP67 protection with connector correctly installed): with 5 m cable: catalogue number **88130212**
- Right-angle M12 connector (IP67 protection with connector correctly installed), with 5 m cable: catalogue number **88130213**
- M5 flow control regulator to fit port 3, catalogue number: **34600380**
- Connector with visual indication and peak voltage suppression or with cable length of 2 m (www.asco.com)

INSTALLATION

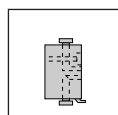
- The solenoid valves can be mounted in any position without affecting operation
- Mounting on single or joinable subbases
- ATEX 2014/34/EU versions (options "SG" and "PV") can be installed on single (all versions) or joinable zinc diecast subbases
- Pipe connections 1/8 have standard thread according to ISO 228/1
- Installation/maintenance instructions are included with each valve

DIMENSIONS (mm), WEIGHT (kg)



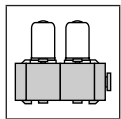
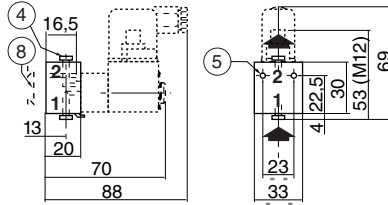
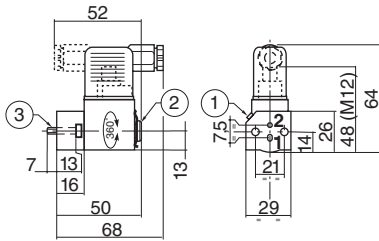
TYPE 01-06
Spade plug /M12
IEC 335 / DIN 43650 /
E03.62.520.N
IP65

18900001/18900010/18900073/18900075

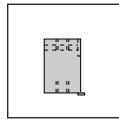
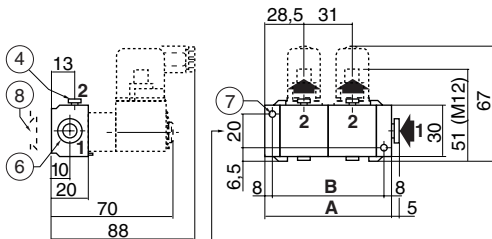


TYPE 02
Single instant fitting
subbase
Polyamide

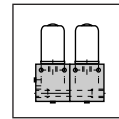
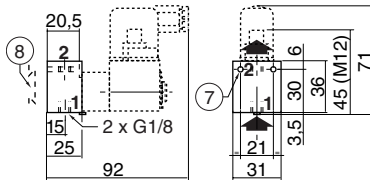
35300069



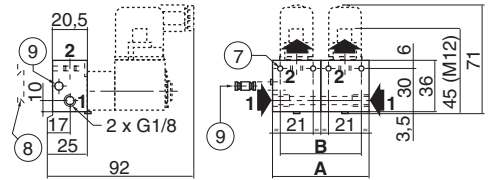
TYPE 03
Joinable instant fitting subbase
Polyamide
35300070
35300071 (set of 2)



TYPE 04
Single subbase
Zamak
35300047



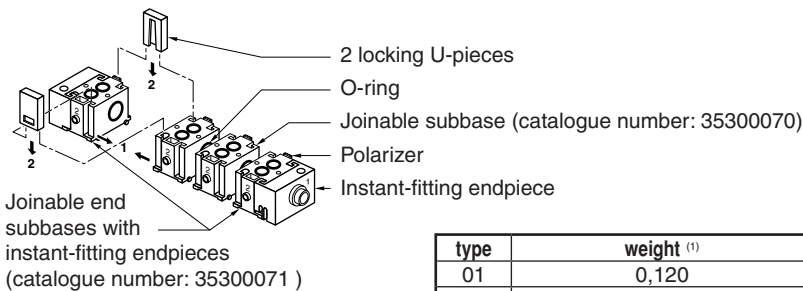
TYPE 05
Joinable subbase
Zamak
35300048



- 1 Manual operator location
- 2 Port 3: M5, depth 5,5 mm
- 3 Mounting: two CM4x20 screws
- 4 Instant-fitting connection for OD 4 mm tube
- 5 Mounting: two dia. 3,5 mm securing holes, dia. 6,5 mm counter-bores, depth 3,5 mm
- 6 Instant-fitting connection for OD 6 mm tube
- 7 Mounting: two dia. 4,5 mm securing holes
- 8 Adaptable clips
- 9 Subbase mounting hole, adapter

Right-hand pressure intake option or 2 different pressure intakes by procuring the set of two end subbases with endpieces (catalogue number: 35300072).

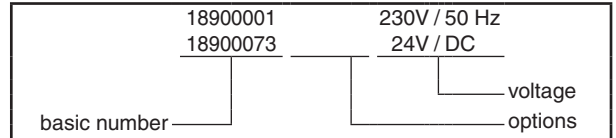
When mounted on DIN rail, it is recommended to use a securing clip on the end subbases as well as on the central subbase.



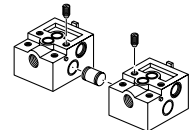
type	weight ⁽¹⁾
01	0,120
02	0,135
04	0,185
06	0,105

⁽¹⁾ including coil and connector.
(except M12 connection type 06)

ORDERING EXAMPLES:



Joinable subbases assembled with adapter locked by sunk set screws.
For DIN rail mounting:
see type 03.



number of subbases	type 03		type 05	
	A	B	A	B
2	88	72	62	52
3	119	103	93	83
4	150	134	124	114
5	181	165	155	145
6	212	196	186	176
7	243	227	217	207
8	274	258	248	238

type	weight ⁽²⁾							
	number of subbases							
	2	3	4	5	6	7	8	
03+01	0,295	0,430	0,565	0,700	0,835	0,970	1,105	
03+06	0,265	0,385	0,505	0,625	0,745	0,865	0,985	
05+01	0,400	0,600	0,800	1,000	1,200	1,400	1,600	
05+06	0,370	0,555	0,740	0,925	1,110	1,295	1,480	

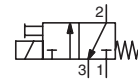
⁽²⁾ Including seals, set screws and joining unit.



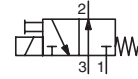
SOLENOID VALVES

direct operated
pad mounting body
M5 subbases

NC



NO



3/2
Series
109

FEATURES

- Compact size and light weight simplify assembly on single or joinable subbases
- AC/DC interchangeability of the solenoid without disassembly of the valve
- Flexible installation on joinable subbases
- Manual operator allows an easy installation
- The solenoid valves satisfy all relevant EU directives

GENERAL

Differential pressure See «SPECIFICATIONS» [1 bar = 100 kPa]
Maximum viscosity 40 cSt (mm²/s)
Response time 5 - 10 ms

fluids (*)	temperature range (TS)	seal materials (*)
air, inert gas, water, oil	-10°C to +80°C	NBR (nitrile) FPM (fluoroelastomer)

MATERIALS IN CONTACT WITH FLUID

(*) Ensure that the compatibility of the fluids in contact with the materials is verified

Body and subbases PPS
Core tube Brass
Internal parts, springs Stainless steel
Seals NBR or FPM
Subbase seals FPM
Shading coil Copper

ELECTRICAL CHARACTERISTICS

Coil insulation class F
Connector Spade plug (cable Ø 6-8 mm)
Connector specification DIN 43650, 11 mm, industry standard B (11 mm)
Electrical safety IEC 335
Electrical enclosure protection Moulded IP65 (EN 60529)
Standard voltages DC (=) : 24V - 48V
 (Other voltages and 60 Hz on request) AC (~) : 24V - 48V - 115V - 230V / 50 Hz

power ratings				operator ambient temperature range (TS) (C°)	replacement coil		type ⁽¹⁾
inrush ~	holding ~	hot/cold =			~	=	
(VA)	(VA)	(W)	(W)		230 V/50 Hz	24 V DC	
6	3,5	2,5	2,5 / 3	-10 to +60	400127-097	400904-142	01

⁽¹⁾ Refer to the dimensional drawings on the following page.

SPECIFICATIONS

pipe size	orifice size		flow coefficient Kv				operating pressure differential (bar)				power coil (W)		catalogue number with maintained manual operator		
	1→2	2→3	1→2		2→3		max. (PS)				~	=	NBR	FPM	
	(mm)	(mm)	(m ³ /h)	(l/min)	(m ³ /h)	(l/min)	min.	air (*)	water/oil(*)	air (*)					water/oil(*)
NC - Normally closed															
pad mounting	1	1,2	0,03	0,5	0,06	1	0	15	15	15	15	2,5	3	10900001	10900004
	1,5	1,2	0,06	1	0,06	1	0	8	8	8	8	2,5	3	10900040	10900043
	2,5	1,2	0,10	1,8	0,06	1	0	3	3	3	3	2,5	3	10900003	10900006
NO - Normally open															
⁽²⁾	1,5	1,2	0,03	0,5	0,04	0,6	0	8	4	8	4	2,5	3	10900017	10900029

SUBBASES ⁽³⁾

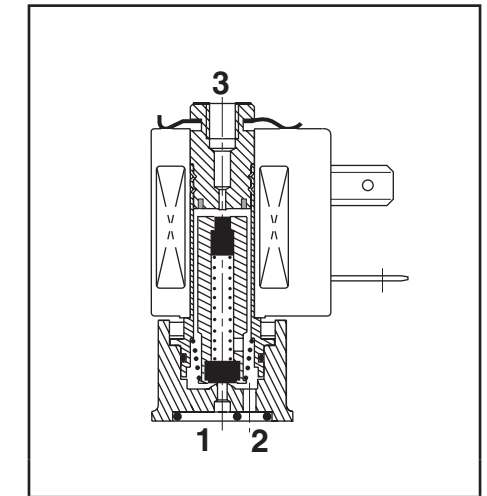
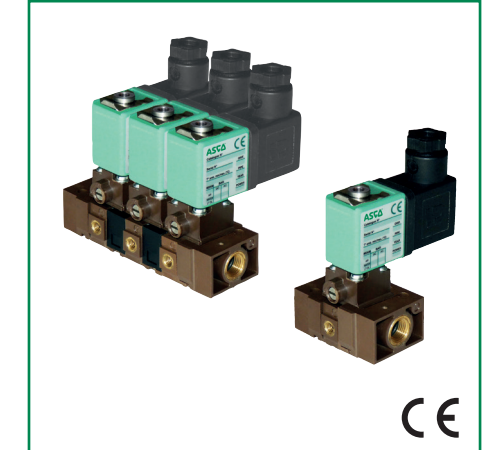
pipe size	mounting type	designation	composition	catalogue number
6/6 polyamide subbases				
M5 subbases G 1/8 ends	Individual mounting	Single subbase + two ends. Pressure to right, G 1/8	M5 G 1/8	36100009
	Assembly of 2 to 10 joinable subbases ⁽⁴⁾	1 joinable subbase	M5	36100004
		Set of 2 joinable subbases with ends. Pressure to right, G 1/8	G 1/8 M5 G 1/8 M5	36100005
		Set of 2 joinable subbases with ends. Pressure to right and/or left, G 1/8	G 1/8 M5 G 1/8 M5	36100032 ⁽⁵⁾

⁽²⁾ In NO function: pressure supply connected to the top of the solenoid valve Ø M5

⁽³⁾ These subbases can be mounted on symmetrical rail to EN 50022, AFNOR NF C 63015, using 2 clips (clips: catalogue number 33400036, pack of 10).

⁽⁴⁾ Maximum number of solenoid valves which can operate simultaneously on joinable subbases: Ø 1 mm: 10, Ø 1,5 mm: 5, Ø 2,5 mm: 3.

⁽⁵⁾ Used for two different pressures, delivered with 1 plug to be put in the right place.



00160GB-2017/R01
Availability, design and specifications are subject to change without notice. All rights reserved.

All leaflets are available on: www.asco.com



青岛秉诚自动化设备有限公司
地址：中国·青岛市重庆南路99号海尔云街甲3号楼7F

服务热线：4006-918-365
网址：<http://www.ivalve.com>

Solenoid valves (3/2) - 29
传真：(86-532)585-10-365
Email：sales@bechinas.com

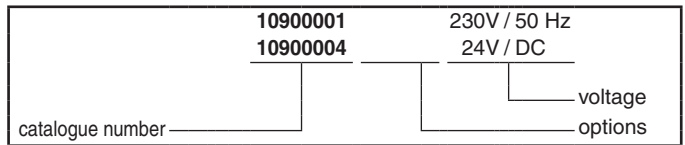
OPTIONS

- Explosionproof enclosures for use in zones 1/21-2/22, categories 2-3 to ATEX Directive 2014/34/EU (www.asco.com)
- Compliance with "UL", "CSA" standards are available
- Oxygen service, used option catalogue number: **970517**
- Exhaust port regulator M5 adaptable on port 3, catalogue number: **34600380**
- Connector with visual indication and peak voltage suppression or with cable length of 2 m (www.asco.com)

INSTALLATION

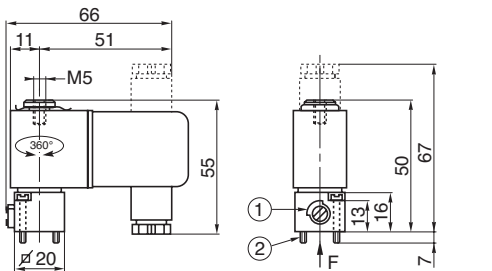
- The solenoid valves can be mounted in any position without affecting operation
- Mounting on single or joinable subbases
- ATEX 2014/34/EU versions can be installed on single subbases (all versions) or joinable zamak subbases (option "PV")
- Pipe connections 1/8 have standard thread according to ISO 228/1
- Installation/maintenance instructions are included with each valve

ORDERING EXAMPLES:

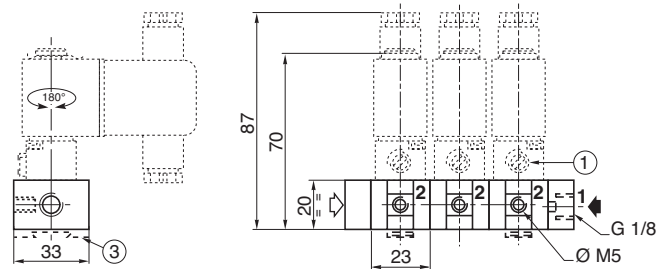


DIMENSIONS (mm), WEIGHT (kg)

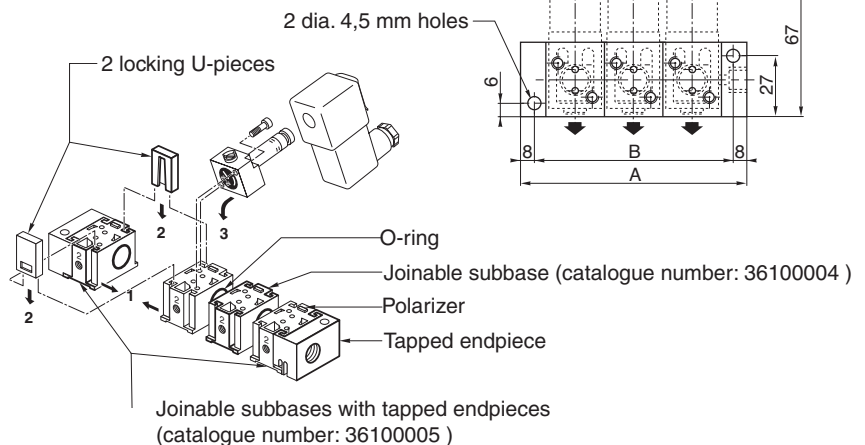
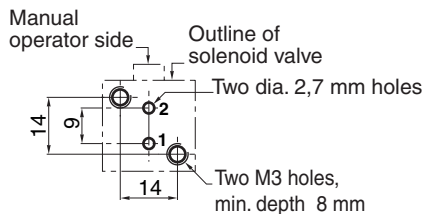
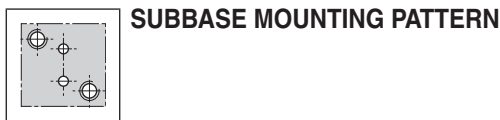
TYPE 01
Prefix "SC" Solenoid
Epoxy moulded
IEC 335 / DIN 43650 / IP65
weight : 0,100
10900001/03/04/06/17/29/40/43



JOINABLE SUBBASE G 1/8
PPS
36100005/36100032



- ① Manual operator location
- ② 2 M3 x 20 screws
- ③ Clips



number of subbases	A	B	weight ⁽¹⁾
2	72	56	0,300
3	95	79	0,420
4	118	102	0,540
5	141	125	0,660
6	164	148	0,780
+1	+23	+23	+0,120

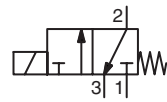
⁽¹⁾ including coils, connectors and joinable endpieces.



SOLENOID VALVES

direct operated
multiple manifold sub-bases
1/8

NC



3/2
Series
356

FEATURES

- Very small size and easy assembly
- AC/DC interchangeability of the solenoid without disassembling the valve
- Quick disassembly of core tube for easy maintenance of internal parts
- Standard disc seal made of FPM suitable for a wide range of operating temperatures and compatible with many fluids
- Compliance with UL and CSA standards
- The solenoid valves satisfy all relevant EU directives

GENERAL

Differential pressure See «SPECIFICATIONS» [1 bar = 100 kPa]
Maximum viscosity 40 cSt (mm²/s)
Response time 5 - 10 ms

fluids (*)	temperature range (TS)	seal materials (*)
air, inert gas, water, oil	- 10°C to + 100°C	FPM (fluoroelastomer)

MATERIALS IN CONTACT WITH FLUID

(*) Ensure that the compatibility of the fluids in contact with the materials is verified

Manifold body Brass
Core tube Stainless steel
Core and plugnut Stainless steel
Springs Stainless steel
Seat Brass
Seals FPM
Disc FPM
Shading coil Copper

ELECTRICAL CHARACTERISTICS

Coil insulation class F
Connector Spade plug (cable Ø 6-7 mm)
Connector specification DIN 43650, 11 mm, industry standard B (11 mm)
Electrical safety IEC 335
Electrical enclosure protection Moulded IP65 (EN 60529)
Standard voltages (2)
 DC (-): 24V - 48V
 AC (~): 24V - 48V - 115V - 230V / 50 Hz

prefix option	power ratings				operator ambient temperature range (TS) (C°)	replacement coil		type (1)
	inrush ~	holding ~	hot/cold =			~	=	
	(VA)	(VA)	(W)	(W)		230 V/50 Hz	24 V DC	
SC	12	6	4	5 / 6,9	-10 to + 60	400127-197	400127-142	01

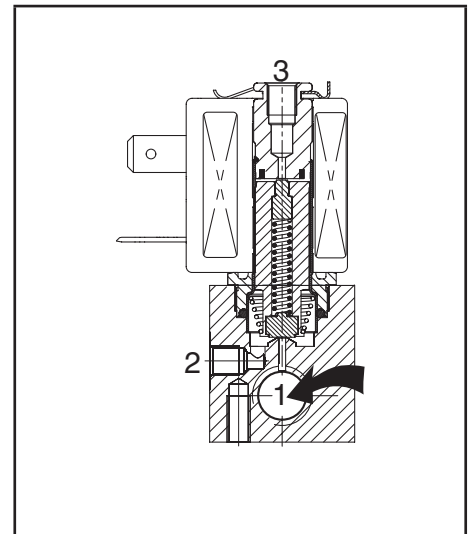
(1) Refer to the dimensional drawings on the following page.

(2) Duty cycle: 50% (30 min)

SPECIFICATIONS

pipe size	orifice size	flow coefficient Kv		operating pressure differential (bar)								power coil (W)	Number of valves	catalogue number	options		
				min.	max. (PS)				~	=	EPDM						
					air, water (*)	oil (*)		~									=
G	(mm)	(m ³ /h)	(l/min)										~/=				
NC - Normally closed																	
1/8 (3)	1,6	0,08	1,33	0	10	10	10	10	4	6,9	2	SCG356B819V	E	-	-		
											3	SCG356B820V	E	-	-		
											4	SCG356B821V	E	-	-		
											5	SCG356B822V	E	-	-		
											6	SCG356B823V	E	-	-		
											7	SCG356B824V	E	-	-		
											8	SCG356B825V	E	-	-		
											9	SCG356B826V	E	-	-		
											10	SCG356B827V	E	-	-		
											2,4	0,13	2,16	0	4	4	4
	3	SCG356B856V	E	-	-												
	4	SCG356B857V	E	-	-												
	5	SCG356B858V	E	-	-												
	6	SCG356B859V	E	-	-												
	7	SCG356B860V	E	-	-												
	8	SCG356B861V	E	-	-												
	9	SCG356B862V	E	-	-												
	10	SCG356B863V	E	-	-												

(3) Pipe size port 3: M5



00072GB-2017/R01
Availability, design and specifications are subject to change without notice. All rights reserved.

All leaflets are available on: www.asco.com



青岛秉诚自动化设备有限公司
地址：中国·青岛市重庆南路99号海尔云街甲3号楼7F

服务热线：4006-918-365
网址：http://www.ivalve.com

Solenoid valves (3/2) - 31
传真：(86-532)585-10-365
Email：sales@bechinas.com

OPTIONS

- Valves can also be supplied with EPDM (ethylene-propylene) seals and discs. Use the appropriate optional suffix letter for identification
- Flying leads coil, use prefix L (e.g.: LG356B822V)
- Oxygen service with seals and disc in FPM, suffix NV, example: SCG356B858NV
- NC, orifice sizes 1,2 mm and 2 mm
- U, orifice sizes 1,6 - 2 - 2,4 mm ; NO, orifice size 1,6 mm
- Stainless steel manifold bodies, NC, U and NO, on request
- Other pipe connections are available on request
- Connector with visual indication and peak voltage suppression or with cable length of 2 m (www.asco.com)

INSTALLATION

- The solenoid valves can be mounted in any position without affecting operation
- Multiple manifold solenoid valves have 2 mounting holes in body
- Pipe connection identifier is G = G (ISO 228/1)
- Installation/maintenance instructions are included with each valve

SPARE PARTS KIT

catalogue number	spare parts kit no.	
	~	=
all	C140264V	C140264V

⁽¹⁾ Standard prefixes/suffixes are also applicable to kits.

ORDERING EXAMPLES:

SC	G	356	B	821	V	230V / 50 Hz
SC	G	356	B	826	E	115V / 50 Hz
SC	G	356	B	857	NV	24V / DC
SC	G	356	B	863	V	230V / 50 Hz

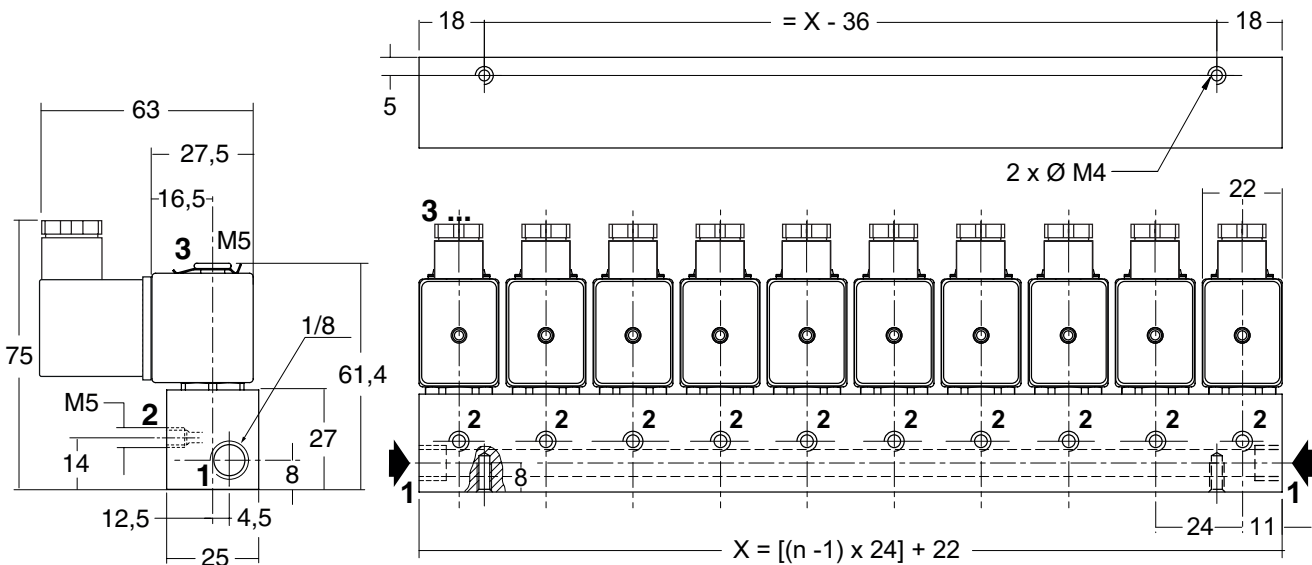
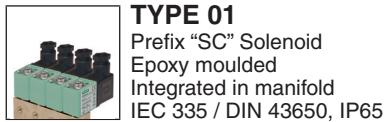
prefix: SC, pipe thread: G, basic number: 356 B 821, voltage: 230V / 50 Hz, suffix: V

ORDERING EXAMPLES KITS:

C140264	V ⁽¹⁾
C140264	E

basic number: C140264, suffix: V⁽¹⁾ / E

DIMENSIONS (mm), WEIGHT (kg)



type	prefix option	weight ⁽²⁾								
		number of solenoid valves (n)								
		2	3	4	5	6	7	8	9	10
01	SC	0,321	0,426	0,531	0,636	0,741	0,846	0,951	1,056	1,161

⁽²⁾ Incl. coil(s) and connector(s)

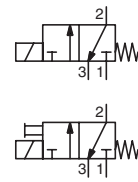
All leaflets are available on: www.asco.com



SOLENOID VALVES

direct operated
pad mounting body
for subbase 1/4 or 1/2

NC



3/2
Series
374

FEATURES

- Pad-mount version for valve piloting applications
- Incorporation in borers for machine tool manufacturers
- Suitable for dosing/filling applications and industrial washing machines
- Compact solenoid valve for easy installation
- Epoxy moulded coil for general service applications
- Three manual operator versions
- Flexible installation on joinable subbases
- The solenoid valves satisfy all relevant EU directives

GENERAL

Differential pressure See «SPECIFICATIONS» [1 bar = 100 kPa]
Maximum viscosity 40 cSt (mm²/s)
Response time 8 - 20 ms

fluids (*)	temperature range (TS)	seal materials (*)
air, inert gas, water, oil	- 25°C to + 80°C	NBR (nitrile)

MATERIALS IN CONTACT WITH FLUID

(*) Ensure that the compatibility of the fluids in contact with the materials is verified

Body	Brass
Internal parts, spring	Stainless steel
Seat	Brass
Seals	NBR
Core guide	POM
Shading coil	Copper

ELECTRICAL CHARACTERISTICS

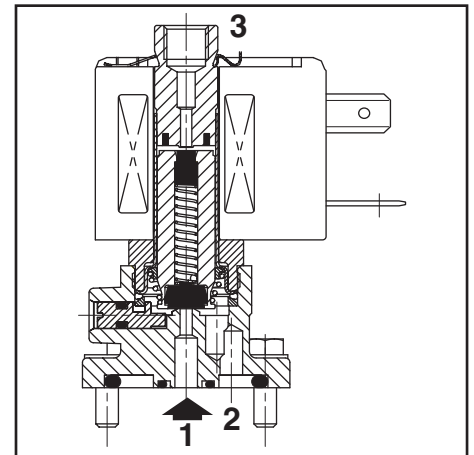
Coil insulation class F
Connector Spade plug (cable Ø 6-10 mm)
Connector specification ISO 4400 / EN 175301-803, form A
Electrical safety IEC 335
Electrical enclosure protection Moulded IP65 (EN 60529)
Standard voltages DC (=) : 24V - 48V
 (Other voltages and 60 Hz on request) AC (~) : 24V - 48V - 115V - 230V / 50 Hz

prefix option	power ratings				operator ambient temperature range (TS) (C°)	replacement coil		type ⁽¹⁾
	inrush ~	holding ~		=		~	=	
	(VA)	(VA)	(W)	(W)		230 V/50 Hz	24 V DC	
SC	55	23	10,5	9/11,2	-40 to + 60	400425-117	400425-142	01

⁽¹⁾ Refer to the dimensional drawings on the following page.

SPECIFICATIONS

pipe size	orifice size	flow coefficient Kv				min.	operating pressure differential (bar)		power coil (W)		catalogue number		options					
		1 → 2		2 → 3			max. (PS)	air, water, oil (*)					maintained	man. operator	impulse	man. operator	FPM	EPDM
		(m ³ /h)	(l/min)	(m ³ /h)	(l/min)													
(G*)	(mm)	(m ³ /h)	(l/min)	(m ³ /h)	(l/min)													
NC - Normally closed																		
pad mounting	2	0,22	1,8	0,15	2,5	0	16	16	10,5	11,2	SCS374A016	SCS374A016	MS	MO	V	E		
	2,7	0,22	3,6	0,15	2,5	0	10	10	10,5	11,2	SCS374A017	SCS374A017	MS	MO	V	E		



00078GB-2017/R01
Availability, design and specifications are subject to change without notice. All rights reserved.

All leaflets are available on: www.asco.com



青岛秉诚自动化设备有限公司
地址：中国·青岛市重庆南路99号海尔云街甲3号楼7F

服务热线：4006-918-365
网址：http://www.ivalve.com

Solenoid valves (3/2) - 33
传真：(86-532)585-10-365
Email：sales@bechinas.com

OPTIONS

- Valves can also be supplied with FPM (fluoroelastomer) and EPDM (ethylene-propylene) seals and discs. Use the appropriate optional suffix letter for identification
- Waterproof enclosure with embedded screw terminal coil according to protection class IP67, CEE-10 (prefix WP)
- Explosionproof enclosures for use in zones 1/21-2/22, categories 2-3 to ATEX Directive 2014/34/EU (www.asco.com)
- Class H coil (10,5W/11,2W coils), prefix HT
- Button type manual operator, use TPL 20655, example: SCXS374A017 TPL 20655 (All versions available)
- Oxygen service with seals and disc in FPM, suffix N, example:SCS374A016NV
- Brass subbases: Single (1/4), catalogue number **36101001** / Joinable (1/4), catalogue number **36101027**
- Aluminium subbases: Single (1/2), catalogue number **36101029**
Supply rail (1/2), 2 to 6 (**36101030** to **36101034**), 8 (**36101035**), 10 (**36101036**)
- Other pipe connections are available on request
- Connector with visual indication and peak voltage suppression or with cable length of 2 m (www.asco.com)

INSTALLATION

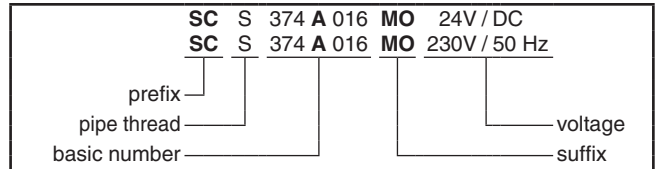
- The solenoid valves can be mounted in any position without affecting operation
- Mounting on single or joinable subbase or on supply rail, four mounting holes
- ATEX 2014/34/EU versions can be installed on single or joinable brass subbases
- Pipe connection G 1/8 has standard thread according to ISO 228/1
1/4 and 1/2 subbases pipe connections (G*) have standard combination thread according to ISO 228/1 and ISO 7/1
- Installation/maintenance instructions are included with each valve

SPARE PARTS KIT

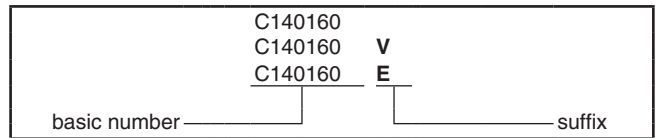
catalogue number	spare parts kit no.		
	~	=	maintained manual operator
SCS374A016 / 017	C140160	C140160	C140048

(1) Standard suffixes E and V are also applicable to kits.

ORDERING EXAMPLES:

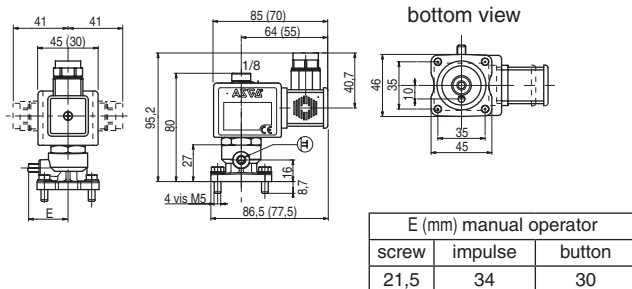


ORDERING EXAMPLES KITS:



DIMENSIONS (mm), WEIGHT (kg)

TYPE 01
Prefix "SC" Solenoid
Epoxy moulded
IEC 335/ ISO 4400
IP65



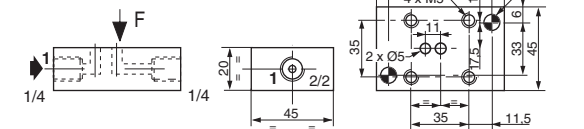
type	prefix option	weight
01	SC	0,527 ⁽²⁾
02	single subbase	0,453
03	single subbase	0,228

(2) Incl. coil(s) and connector(s)

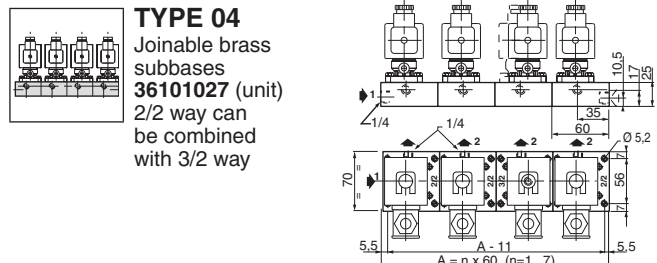
type	weight number of valves									
	2	3	4	5	6	7	8	9	10	
04	1,487	2,251	3,015	3,779	4,543	5,307	-	-	-	
05	0,379	0,530	0,681	0,832	0,983	-	1,285	-	1,587	

TYPE 02
Single brass subbase

36101001

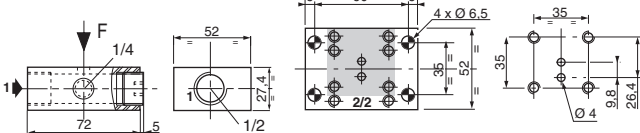


TYPE 04
Joinable brass subbases
36101027 (unit)
2/2 way can be combined with 3/2 way

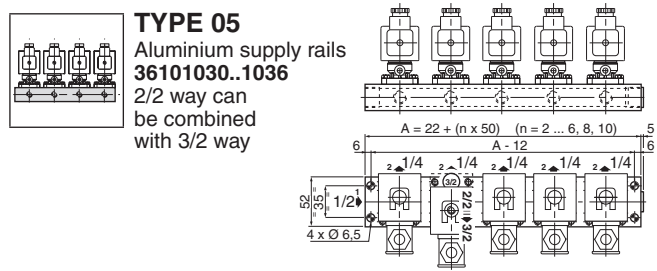


TYPE 03
Single aluminium subbase

36101029



TYPE 05
Aluminium supply rails
36101030..1036
2/2 way can be combined with 3/2 way



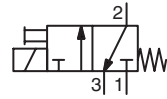
All leaflets are available on: www.asco.com



SOLENOID VALVES

for high and low temperature applications
ISO 15218 (CNOMO, size 30) interface
direct operated, pad mounting body

NC



3/2
Series
374

FEATURES

- High and low temperature solenoid pilot valve intended for single acting actuator control
- Solenoid pilot valve with CNOMO size 30 interface (compatible with series 551-552-553)
- AC/DC interchangeability of the solenoid operator without any need for disassembly of the valve
- Epoxy moulded coil suitable for exterior applications
- Version with or without manual operator

GENERAL

Differential pressure 0 - 12 bar [1 bar = 100 kPa]
Pneumatic interface ISO 15218 (CNOMO E06.05.80, size 30)
Response time 8 - 20 ms

fluids (*)	temperature range (TS)	seal materials (*)
air or inert gas	- 25°C to + 60°C - 25°C to + 90°C	NBR (nitrile) FPM (fluoroelastomer)

MATERIALS IN CONTACT WITH FLUID

(*) Ensure that the compatibility of the fluids in contact with the materials is verified

Body Aluminium, black cataphoresis coating
Threaded nut Steel
Core tube, core, plugnut Stainless steel
Shading coil Copper
Internal parts, springs Stainless steel
Seals NBR (+60°C) or FPM (+90°C)

ELECTRICAL CHARACTERISTICS

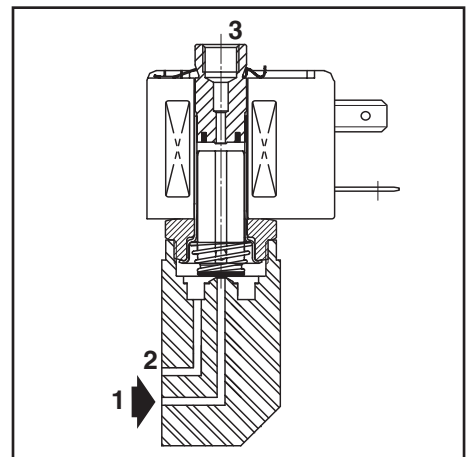
Coil insulation class F (+60°C) or H (+90°C)
Connector Spade plug (cable Ø 6-10 mm)
Connector specification ISO 4400 / EN 175301-803, form A
Electrical safety IEC 335
Electrical enclosure protection Moulded IP65 (EN 60529)
Standard voltages DC (-) : 24V - 48V
AC (~) : 24V - 48V - 115V - 230V / 50 Hz
(Other voltages and 60 Hz on request)

prefix option	power ratings				operator ambient temperature range (TS) (C°)	replacement coil		type ⁽¹⁾
	inrush ~	holding ~	hot/cold =			~	=	
	(VA)	(VA)	(W)	(W)		230 V/50 Hz	24 V DC	
SC	55	23	10,5	9/11,2	-25 to + 60 -25 to + 90	400425-117 400426-117	400425-142 400426-142	01

⁽¹⁾ Refer to the dimensional drawings on the following page..

SPECIFICATIONS

pipe size	orifice size		flow coefficient Kv				operating pressure differential (bar)			power coil (W)		catalogue number	
	1 → 2	2 → 3	1 → 2		2 → 3		min.	max. (PS)				without manual operator	with maintained manual operator
	(mm)	(mm)	(m³/h)	(l/min)	(m³/h)	(l/min)		air (*)					
								~	=	~	=	~/=	~/=
NC - Normally closed, NBR seals, low temperatures													
pad mount	2	-	0,11	1,8	0,11	1,8	0	12	12	10,5	11,2	SCS374A090	SCS374A090MS
NC - Normally closed, FPM seals, high and low temperatures													
pad mount	2	-	0,11	1,8	0,11	1,8	0	12	12	10,5	11,2	SCHTS374A090V	SCHTS374A090VMS



50042GB-2017/R01 Availability, design and specifications are subject to change without notice. All rights reserved.

All leaflets are available on: www.asco.com



青岛秉诚自动化设备有限公司
地址：中国·青岛市重庆南路99号海尔云街甲3号楼7F

服务热线：4006-918-365
网址：http://www.ivalve.com

Solenoid valves (3/2) - 35
传真：(86-532)585-10-365
Email：sales@bechinas.com

INSTALLATION

- The solenoid valves can be mounted in any position without affecting operation
- Solenoid valves supplied with mounting pad screws
- Installation on valve or single, non-joinable subbase with ISO 15218 (CNOMO, size 30) interface
- Pipe connection G 1/8 has standard thread according to ISO 228/1
- Installation/maintenance instructions are included with each valve

DIMENSIONS (mm), WEIGHT (kg)

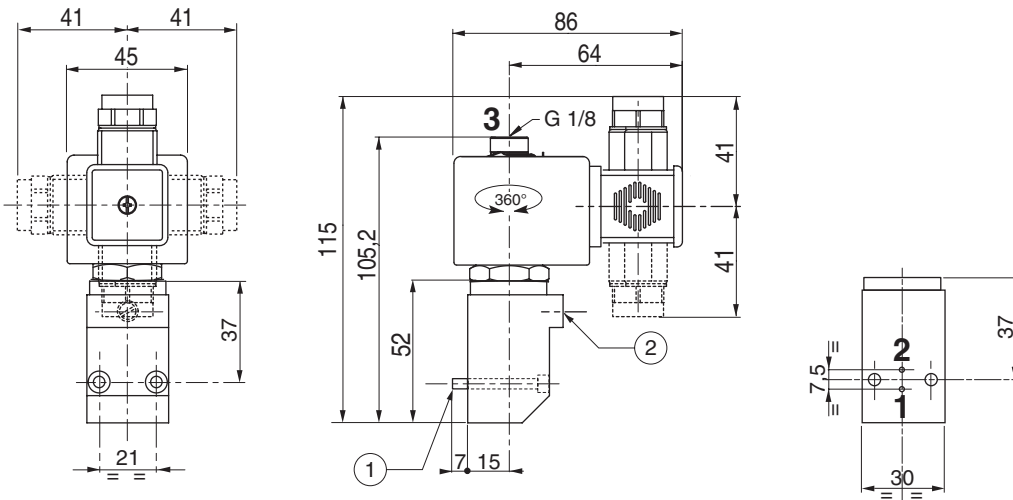


TYPE 01

Prefix "SC" Solenoid
Epoxy moulded
IEC 335 / ISO 4400
IP65

ORDERING EXAMPLES:

	SC	S	374	A	090		24V / DC
	SCHT	S	374	A	090	VMS	230V / 50 Hz
prefix							voltage
pipe thread							
basic number							suffix



type	weight ⁽¹⁾
01	0,49

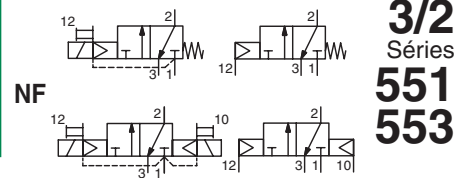
- ① Mounting: 2 screws M4 x 35
② Manual operator location

⁽¹⁾ including coil and connector.



SPOOL VALVES

pilot operated or air operated, spool type
single/dual solenoid or air (mono/bistable function)
aluminium body, 1/4 - 1/2



FEATURES

- All the exhaust ports of the spool valve are connectable, providing better environmental protection. Particularly recommended for sensitive areas, such as clean rooms, and applications in the pharmaceutical and food processing sectors
- The valves offer environmental protection against the ingress of liquids, dusts or other foreign matter (environmentally-protected construction)
- The monostable spool valves in conformity with IEC 61508 Standard (2010 route 2_H version) have TÜV (551 series) and EXIDA (551-553 series) certified with integrity levels: SIL 2 for HFT = 0 / SIL 3 for HFT = 1
- The solenoid valves satisfy all relevant EU directives

GENERAL

Differential pressure	2 - 10,4 bar [1 bar = 100 kPa]
Flow (Qv at 6 bar)	l/min (ANR)
	1/4 1/2
	860 3800

fluids (*)	temperature range (TS)	seal materials (*)
air, inert gas, filtered	- 25°C to + 60°C	NBR (nitrile) + PUR (polyurethane)

MATERIALS IN CONTACT WITH FLUID

(*) Ensure that the compatibility of the fluids in contact with the materials is verified

Body, end cover	Aluminium, black anodized
End cover (spring return)	Glass fibre filled PA
Spool valve internal parts	Zamak, stainless steel, POM, aluminium
Seals	NBR + PUR
Core tube	Brass
Core and plugnut	Stainless steel
Shading coil	Copper

ELECTRICAL CHARACTERISTICS

Coil insulation class	F
Connector	Spade plug (cable Ø 6-8 mm or Ø 6-10 mm)
Connector specification	EN 175301-803, 11 mm, industry standard form B (type 01) or ISO 4400 / EN 175301-803, form A (type 02)
Electrical safety	IEC 335
Electrical enclosure protection	Moulded IP65 (EN 60529)
Standard voltages	DC (=) : 24V - 48V AC (~) : 24V - 48V - 115V - 230V / 50 Hz

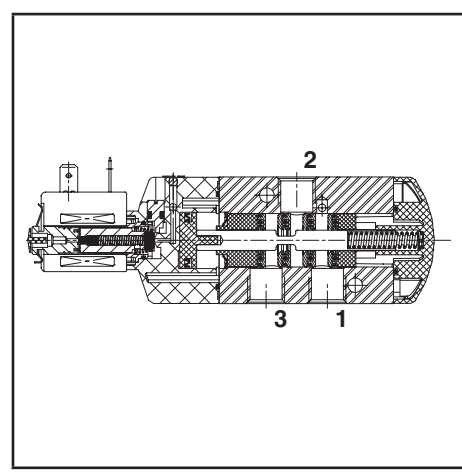
prefix option	power ratings				operator ambient temperature range (TS) (C°)	replacement coil		type ⁽¹⁾
	inrush ~ (VA)	holding ~ (VA) (W)		hot/cold = (W)		~ 230 V/50 Hz	= 24 V DC	
SC	6	3,5	2,5	2,5 / 3	-25 to + 60	400127-097	400904-542	01
SC	15	7	5	4 / 5	-25 to + 60	400727-117	400727-185	02

⁽¹⁾ Refer to the dimensional drawings on the following page.

SPECIFICATIONS

[Configurator - CAD Files](#)

pipe size	orifice size (mm)	flow coefficient Kv (m³/h) (l/min)		operating pressure differential (bar)			power coil (W)		catalogue number	options		
				min.	max. (PS)					maintained	man.	operator
					air (*)	~						
G								~/=				
NC - Normally closed, solenoid air pilot operated - spring return (monostable)												
1/4	6	0,75	12,5	2	10	10	2,5	3	SCG551A005	MS	-	-
1/2	13	3,15	52,5	2	10	10	5	5	SCG553A005	MS	-	-
NC - Normally closed, solenoid air pilot operated and return (bistable)												
1/4	6	0,75	12,5	2	10	10	2,5	3	SCG551A006	MS	-	-
1/2	13	3,15	52,5	2	10	10	5	5	SCG553A006	MS	-	-
NC - Solenoid air pilot operated - spring return (monostable), certified IEC 61508 Functional Safety data												
1/4	6	0,75	12,5	2	10	10	2,5	3	SCG551A005SL	-	-	-
1/2	13	3,15	52,5	2	10	10	5	5	SCG553A005SL	-	-	-



00079GB-2018/R01
Availability, design and specifications are subject to change without notice. All rights reserved.

All leaflets are available on: www.asco.com



青岛秉诚自动化设备有限公司
地址：中国·青岛市重庆南路99号海尔云街甲3号楼7F

服务热线：4006-918-365
网址：<http://www.ivalve.com>

Pneumatic Valves (3/2) - 37
传真：(86-532)585-10-365
Email：sales@bechinas.com

AIR OPERATED AND OPTIONS

- Versions (Type 03): - pilot air operated, spring return, catalogue numbers: **G551A105 / G551A105SL** (1/4); **G553A105 / G553A105SL** (1/2)
- pilot air operated and return, catalogue numbers: **G551A106** (1/4); **G553A106** (1/2)
- Suffix "MF" (air operated only, low temperature version, -40°C)
- Suffix "GD" (air operated only, ATEX 2GD c)
- Explosionproof enclosures for use in zones 1/21-2/22, categories 2-3 to ATEX Directive 2014/34/EU (www.asco.com)
- Supply rail (www.asco.com)
- Other pipe connections are available on request
- Connector with visual indication and peak voltage suppression or with cable length of 2 m (www.asco.com)

INSTALLATION

- The valves can be mounted in any position without affecting operation
- Do not connect the pressure supply to the exhaust port 3. The "environmentally-protected" construction is not adapted for a "distributing" function or use in NO function. Contact us for functions available in specific versions
- It is necessary to connect pipes or fittings to the exhaust ports to protect the internal parts of the spool valve and its pneumatic operator if used outside or in harsh environments (dusts, liquids etc.)
- IEC 61508 Functional Safety (suffix SL). Check temperature range of valve body and solenoid for suitability. For probability of failure, contact us
- Valves with suffix "SL" are supplied with specific exhaust protectors
- Threaded pipe connection is standard: G = G (ISO 228/1)
- Installation/maintenance instructions are included with each valve

ACCESSORIES

series	pipe size	exhaust protector (stainless steel)
551	G 1/4	34600419 ⁽¹⁾
553	G 1/2	34600479 ⁽¹⁾
551-553	M5	34600484 ⁽¹⁾

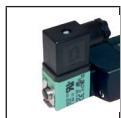
⁽¹⁾ Supplied with suffix "SL".

ORDERING EXAMPLES:

SC	G	551	A	005	MS	230V / 50 Hz
SC	G	551	A	005	SL	24V / DC
SC	G	553	A	006		115V / 50 Hz
	G	551	A	105	SL	

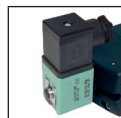
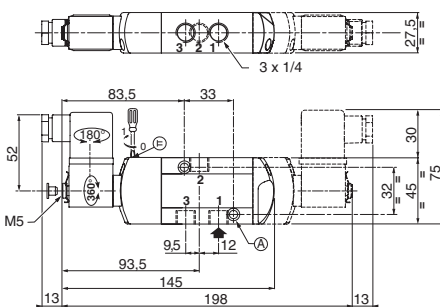
prefix: SC
 pipe thread: G
 basic number: 551 A 105
 voltage: 230V / 50 Hz
 suffix: MS, SL

DIMENSIONS (mm), WEIGHT (kg)



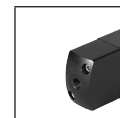
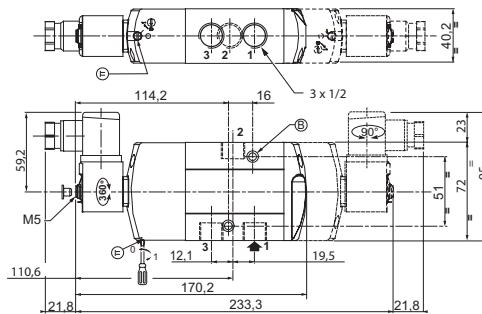
TYPE 01
Prefix "SC" Solenoid
Epoxy moulded
IEC 335 / DIN 43650
IP65

551A005 / A005MS / A005SL / A006 / A006MS



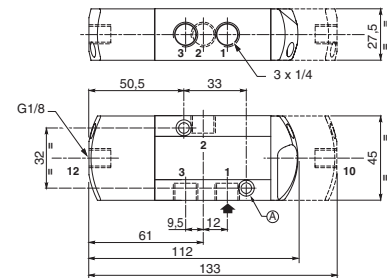
TYPE 02
Prefix "SC" Solenoid
Epoxy moulded
IEC 335 / ISO 4400
IP65

553A005 / A005MS / A006 / A006MS

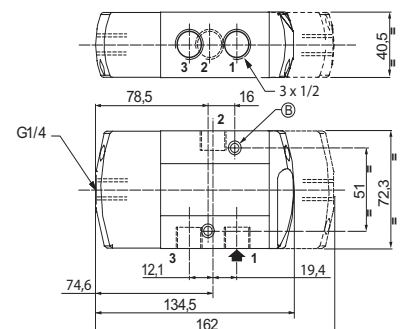


TYPE 03
No Prefix
Air operated version

551A105 / A105SL / A106



553A105 / A105SL / A106



2 mounting holes:

- Ⓐ 5,3 mm dia. (Spotfacing: 9 mm dia., depth 5 mm)
- Ⓑ 6,5 mm dia. (Spotfacing: 11 mm dia., depth 6 mm)

type	prefix option	weight	
		monostable	bistable
01 (551)	SC	0,35 ⁽²⁾	0,43 ⁽²⁾
02 (553)	SC	0,69 ⁽²⁾	0,99 ⁽²⁾
03 (551)	-	0,28	0,36
03 (553)	-	0,80	1,06

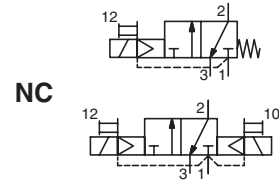
⁽²⁾Incl. coil(s) and connector(s).

Configurator - CAD Files



SOLENOID VALVES

pilot operated, spool type
single/dual solenoid (mono/bistable function)
aluminium body, 1/4 - 1/2



3/2
Series
551
553

FEATURES

- All the exhaust ports of the spool valve are connectable, providing better environmental protection. Particularly recommended for sensitive areas, such as clean rooms, and applications in the pharmaceutical and food processing sectors
- The valves offer environmental protection against the ingress of liquids, dusts or other foreign matter (environmentally-protected construction)
- Solenoid pilot valve with spade-plug connector type EN 175301-803, industry standard form C, with 9,4 mm spacing. Versions with M12 connection
- Solenoid pilot valve, CNOMO size 15 interface, with or without integral LED and electrical protection. LED indicator visible from 3 sides
- The monostable spool valves in conformity with IEC 61508 Standard (2010 route 2_H version) have TÜV (551 series) and EXIDA (551-553 series) certified with integrity levels: SIL 2 for HFT = 0 / SIL 3 for HFT = 1
- The solenoid valves satisfy all relevant EU directives

GENERAL

Differential pressure 2 - 10,4 bar [1 bar = 100 kPa]
Flow (Qv at 6 bar) l/min (ANR)

1/4	1/2
860	3800

Pilot mounting interface surface ISO 15218 (CNOMO E06.36.120N, size 15)

fluids (*)	temperature range (TS)	seal materials (*)
air, inert gas, filtered	- 25°C to + 40°C	NBR (nitrile) + PUR (polyurethane)

MATERIALS IN CONTACT WITH FLUID

(*) Ensure that the compatibility of the fluids in contact with the materials is verified

Body, end cover	Aluminium, black anodized
End cover (spring)	Glass fibre filled PA
Spool valve internal parts	Zamak, stainless steel, POM, aluminium
Pilot body	PARA
Pilot internal parts	POM, PET, stainless steel and brass
Pneumatic interface seal	TPE

ELECTRICAL CHARACTERISTICS

Coil insulation class	F
Connector (type 05)	Spade plug (cable Ø 4-6 mm)
Connector specification	Type 05: DIN 43650, 9,4 mm, form C
Connection	Type 07: M12 (CNOMO E03.62.520.N)
Electrical safety	IEC 335
Electrical enclosure protection	Moulded IP65 [05] or IP67 [07] (EN 60529)
Standard voltages	DC (=): 24V
(Other voltages and 60 Hz on request)	AC (~): 24V-115V-230V / 50 Hz (prefix CFSC)

prefix option	power ratings				operator ambient temperature range (TS) (C°)	voltage		type ⁽¹⁾
	inrush	holding		hot/cold		~	=	
	(VA)	(VA)	(W)	(W)		(V)	(V)	
CFSC	1,4	1,2	1,1	1/1,2	-25 to + 60	24-115	24	05
	1,8 ⁽²⁾	1,6 ⁽²⁾	1,5 ⁽²⁾	1,15/1,35 ⁽²⁾				
	2,1	1,6	1,5	-		230	-	
	2,5 ⁽²⁾	2 ⁽²⁾	1,9 ⁽²⁾	-		-	-	
CFVT ⁽³⁾	-	-	-	1,15/1,35	-25 to + 60	-	24	07

⁽¹⁾ Refer to the dimensional drawings on the following page.
⁽²⁾ Values with LED indicator and protection, use TPL 20674.

⁽³⁾ Supplied with LED indicator and protection.

SPECIFICATIONS

[Configurator - CAD Files](#)

pipe size	orifice size	flow coefficient Kv		operating pressure differential (bar)			power coil (W)		catalogue number		options		
									connector EN 175301-803 (9,4 mm) (type 05)	M12 (type 07)	maintained man. operator	impulse man. operator	
													~
NC - Normally closed, solenoid air pilot operated - spring return (monostable)													
1/4	6	0,75	12,5	2	10	10	1,1..1,5	1,2	CFSCG551C505	-	MS	MO	-
							-	1,35	-	CFVTG551C505	MS	MO	-
1/2	13	3,15	52,5	2	10	10	1,1..1,5	1,2	CFSCG553A505	-	MS	MO	-
							-	1,35	-	CFVTG553A505	MS	MO	-
NC - Normally closed, solenoid air pilot operated and return (bistable)													
1/4	6	0,75	12,5	2	10	10	1,1..1,5	1,2	CFSCG551C506	-	MS	MO	-
							-	1,35	-	CFVTG551C506	MS	MO	-
1/2	13	3,15	52,5	2	10	10	1,1..1,5	1,2	CFSCG553A506	-	MS	MO	-
							-	1,35	-	CFVTG553A506	MS	MO	-

All leaflets are available on: www.asco.com



青岛秉诚自动化设备有限公司
地址：中国·青岛市重庆南路99号海尔云街甲3号楼7F

服务热线：4006-918-365
网址：<http://www.ivalve.com>

Pneumatic Valves (3/2) - 39
传真：(86-532)585-10-365
Email：sales@bechinas.com

SPECIFICATIONS

pipe size	orifice size	flow coefficient Kv		operating pressure differential (bar)				power coil (W)		catalogue number		options	
				min.	max. (PS)		connector EN 175301-803 (9,4 mm) (type 05)			M12 (type 07)	maintained man. operator	impulse man. operator	
					air (*)								EN 175301-803 (9,4 mm) (type 05)
G	(mm)	(m³/h)	(l/min)	~	=	~	=	~	=	~	=		
NC - Solenoid air pilot operated - spring return (monostable), certified IEC 61508 Functional Safety data													
1/4	6	0,75	12,5	2	10	10	1,1..1,5	1,2	CFSCG551C505SL	-	-	MO	-
							-	1,35	-	CFVTG551C505SL	-	MO	-
1/2	13	3,15	52,5	2	10	10	1,1..1,5	1,2	CFSCG553A505SL	-	-	MO	-
							-	1,35	-	CFVTG553A505SL	-	MO	-

OPTIONS

- Explosionproof enclosures for use in zones 0/20-1/21-2/22, categories 1-2-3 to ATEX-Directive 2014/34/EU (www.asco.com)
- LED and protection, prefix CFSC, use TPL number: TPL 20674 (e.g.: CFSCXG551C505TPL20674)
- Straight M12 connector: with 5 m cable length (catalogue number **88130212**)
- Supply rail (www.asco.com)
- Versions with spade-plug connector type ISO 15217/DIN 43650 form C with 8 mm spacing or with cable ends: contact us
- Other pipe connections are available on request
- Connector with visual indication and peak voltage suppression or with cable length of 2 m (www.asco.com)

INSTALLATION

- The valves can be mounted in any position without affecting operation
- Do not connect the pressure supply to the exhaust port 3. The "environmentally-protected" construction is not adapted for a "distributing" function or use in NO function. Contact us for functions available in specific versions
- It is necessary to connect pipes or fittings to the exhaust ports to protect the internal parts of the spool valve and its pneumatic operator if used outside or in harsh environments (dusts, liquids etc.)
- IEC 61508 Functional Safety (suffix SL). Check temperature range of valve body and solenoid for suitability. For probability of failure, contact us
- Threaded pipe connection is standard: G = G (ISO 228/1)
- Valves with suffix "SL" are supplied with specific exhaust protectors
- Installation/maintenance instructions are included with each valve

ACCESSORIES

series	pipe size	exhaust protector (stainless steel)
551	G 1/4	34600419 ⁽¹⁾
553	G 1/2	34600479 ⁽¹⁾
551-553	M5	34600484 ⁽¹⁾

⁽¹⁾ Supplied with suffix "SL".

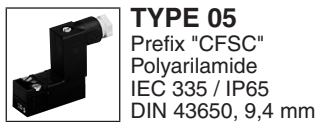
ORDERING EXAMPLES:

CFSC	G	551	C	505	230V / 50 Hz
CFSC	G	551	C	505	SL 115V / 50 Hz
CFVT	G	553	A	506	MS 24V / DC
CFSC	G	553	A	505	SLMO 230V / 50 Hz

prefix — pipe thread — basic number — voltage — suffix

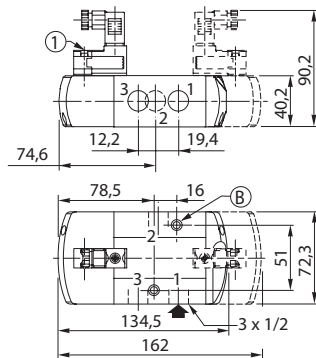
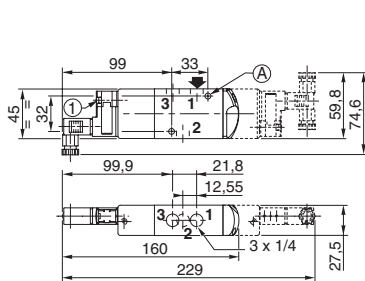
[Configurator - CAD Files](#)

DIMENSIONS (mm), WEIGHT (kg)



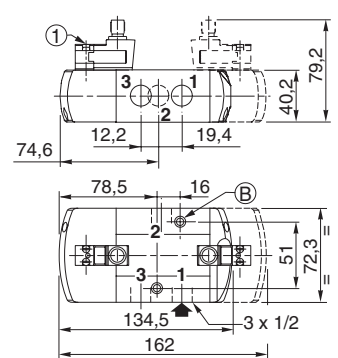
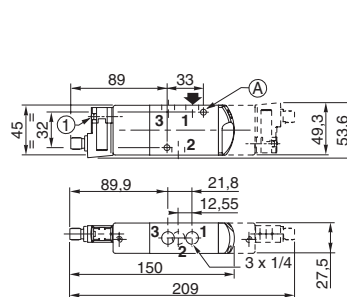
551

553



551

553



type	prefix option	weight ⁽²⁾			
		monostable		bistable	
05	CFSC	0,33	1,03	0,46	2,08
07	CFVT	0,35	1,04	0,5	2,12

- ① Manual operator location
- 2 mounting holes:
- (A) 5,3 mm dia. (Spotfacing: 9 mm dia., depth 5 mm)
- (B) 6,5 mm dia. (Spotfacing: 11 mm dia., depth 6 mm)

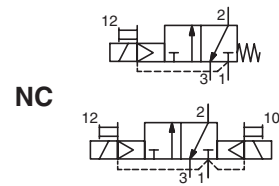
⁽²⁾ Prefix CFSC: including connector(s).

All leaflets are available on: www.asco.com



SOLENOID VALVES

pilot operated, spool type
single/dual solenoid (mono/bistable function)
aluminium body, 1/4 - 1/2



3/2
Series
551
553

FEATURES

- All the exhaust ports of the spool valve are connectable, providing better environmental protection. Particularly recommended for sensitive areas, such as clean rooms, and applications in the pharmaceutical and food processing sectors
- The valves offer environmental protection against the ingress of liquids, dusts or other foreign matter (environmentally-protected construction)
- Can be externally piloted (external air pilot supply) to convert valve to zero minimum operation by flipping a gasket
- The monostable spool valves in conformity with IEC 61508 Standard (2010 route 2_H version) have TÜV (551 series) and EXIDA (551-553 series) certified with integrity levels: SIL 2 for HFT = 0 / SIL 3 for HFT = 1
- The solenoid valves satisfy all relevant EU directives

GENERAL

Differential pressure 2 - 10,4 bar [1 bar = 100 kPa]
Flow (Qv at 6 bar) l/min (ANR)
1/4 | 1/2
860 | 3800

fluids (*)	temperature range (TS)	seal materials (*)
air, inert gas, filtered	- 25°C to + 60°C	NBR (nitrile) + PUR (polyurethane)

MATERIALS IN CONTACT WITH FLUID

(*) Ensure that the compatibility of the fluids in contact with the materials is verified

Body	Aluminium, black anodized
End cover (spring return)	Glass fibre filled PA
Spool valve internal parts	Zamak, stainless steel, POM, aluminium
Core, core tube and plugnut	Stainless steel
Core spring	Stainless steel
Top disc	PA
Pilot seals	FPM, NBR
Shading coil	Copper

OTHERS MATERIALS

Solenoid enclosure Zinc plated steel (epoxy coated)

ELECTRICAL CHARACTERISTICS

Coil insulation class F
Coil connection Embedded screw terminal (cable ø 7 - 12 mm)
Cable entry Cable gland, polyamide (PA), M20x1,5
Electrical safety IEC 335
Electrical enclosure protection IP67 (EN 60529)
Standard voltages DC (=): 24V - 48V
(Other voltages and 60 Hz on request) AC (~): 24V - 48V - 115V - 230V / 50 Hz

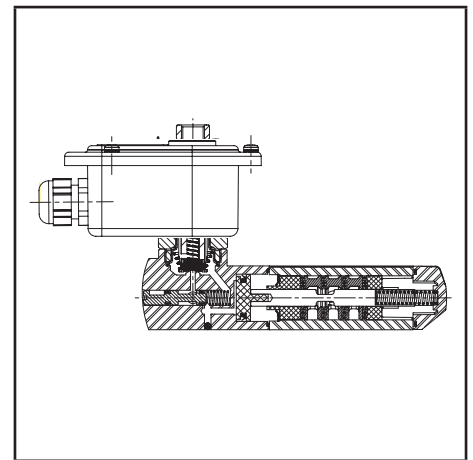
prefix option	power ratings				operator ambient temperature range (TS) (C°)	replacement coil		type ⁽¹⁾
	inrush ~	holding ~		hot/cold =		~	=	
	(VA)	(VA)	(W)	(W)		230 V/50 Hz	24 V DC	
WP	55	23	10,5	9/11,2	-40 to +75	400405-117	400405-142	01

⁽¹⁾ Refer to the dimensional drawings on the following page

SPECIFICATIONS

pipe size	orifice size (mm)	flow coefficient Kv (m³/h) (l/min)		operating pressure differential (bar)		power coil (W)		catalogue number	options		
		min. ⁽²⁾	max. (PS) air (*)	min.	max. (PS)	~	=		impulse / maintained	man. operator	
NC - Normally closed, solenoid air pilot operated - spring return (monostable)											
1/4	6	0,75	12,5	0 / 2	10	10	10,5	11,2	WPG551B405	MO	- -
1/2	13	3,15	52,5	0 / 2	10	10	10,5	11,2	WPG553A405	MO	- -
NC - Normally closed, solenoid air pilot operated and return (bistable)											
1/4	6	0,75	12,5	0 / 2	10	10	10,5	11,2	WPG551B406	MO	- -
1/2	13	3,15	52,5	0 / 2	10	10	10,5	11,2	WPG553A406	MO	- -
NC - Solenoid air pilot operated - spring return (monostable), certified IEC 61508 Functional Safety data											
1/4	6	0,75	12,5	0 / 2	10	10	10,5	11,2	WPG551B405SL	-	- -
1/2	13	3,15	52,5	0 / 2	10	10	10,5	11,2	WPG553A405SL	-	- -

⁽²⁾ Zero minimum is only achieved if external pressure is applied.



00182GB-2018/R01 Availability, design and specifications are subject to change without notice. All rights reserved.

All leaflets are available on: www.asco.com



青岛秉诚自动化设备有限公司
地址：中国·青岛市重庆南路99号海尔云街甲3号楼7F

服务热线：4006-918-365
网址：http://www.ivalve.com

Solenoid valves (3/2) - 41
传真：(86-532)585-10-365
Email：sales@bechinas.com

OPTIONS

- Valves configured for external pilot air supply with ASCO solenoid interface, TPL 20547
- Explosionproof enclosures for use in zones 1/21-2/22, categories 2-3 to ATEX Directive 2014/34/EU (www.asco.com)
- Compliance with "UL", "CSA" and other local approvals available on request
- Coil insulation class H for max. ambient temperature +80°C, prefix "WPHT"
- 1/2" NPT (prefix "T") and M20 x 1.5 (prefix "ET") conduits (aluminium or 316 SS) available for steel solenoid enclosure
- Low temperature version (-40°C), use suffix "MF"
- Other pipe connections are available on request

INSTALLATION

- The solenoid valves can be mounted in any position without affecting operation
- Do not connect the pressure supply to the exhaust port 3. The "environmentally-protected" construction is not adapted for a "distributing" function or use in NO function. Contact us for functions available in specific versions
- It is necessary to connect pipes or fittings to the exhaust ports to protect the internal parts of the spool valve and its pneumatic operator if used outside or in harsh environments (dusts, liquids etc.)
- IEC 61508 Functional Safety (suffix SL). Check temperature range of valve body and solenoid for suitability. For probability of failure, contact us
- Threaded pipe connection is standard: G = G (ISO 228/1)
- Solenoid enclosure has a cable gland with integral strain relief for cables with an O.D. from 7 to 12 mm and is provided with internal and external grounding terminals
- Valves with suffix "SL" are supplied with specific exhaust protectors
- Installation/maintenance instructions are included with each valve

ACCESSORIES

series	pipe size	exhaust protector (stainless steel)
551-553	G 1/8	34600418 ⁽¹⁾
551	G 1/4	34600419 ⁽¹⁾
553	G 1/2	34600479 ⁽¹⁾

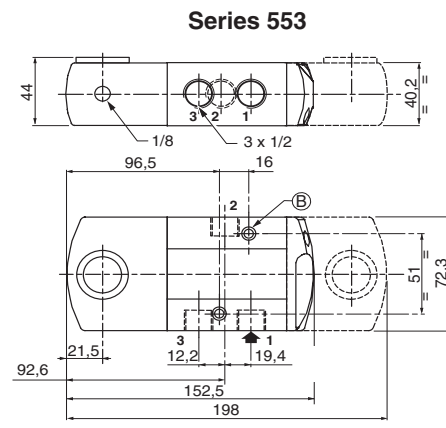
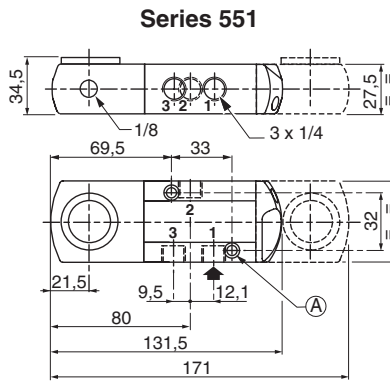
⁽¹⁾ Supplied with suffix "SL".

ORDERING EXAMPLES:

WP	G	551	B	405	230V / 50 Hz
WP	G	551	B	405	SL 230V / 50 Hz
WP	G	553	A	406	MO 24V / DC
WPHT	G	551	B	406	MO 230V / 50 Hz
WP	G	553	A	406	MO 115V / 50 Hz

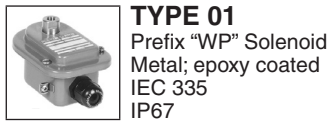
prefix — pipe thread — basic number — voltage — suffix

DIMENSIONS (mm), WEIGHT (kg)

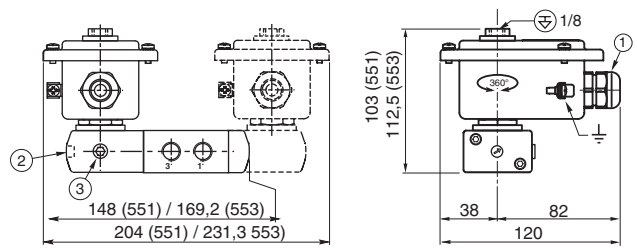


2 mounting holes:

- Ⓐ 5,3 mm dia. (Spotfacing: 9 mm dia., depth 5 mm)
- Ⓑ 6,5 mm dia. (Spotfacing: 11 mm dia., depth 6 mm)



TYPE 01
Prefix "WP" Solenoid
Metal; epoxy coated
IEC 335
IP67



type	prefix option	weight ⁽²⁾			
		monostable		bistable	
		551	553	551	553
01	WP	0,79	1,36	1,49	1,93

- ① Cable gland for unarmoured cable with 7 to 12 mm dia. sheath
- ② Manual operator location
- ③ External pilot air supply, 1/8 pipe size

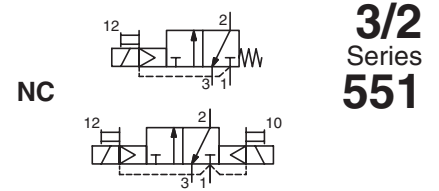
⁽²⁾ Including coil and cable gland.

All leaflets are available on: www.asco.com



SOLENOID VALVES

pilot operated, spool type
single/dual solenoid (mono/bistable function)
brass body, 1/4



3/2
Series
551

FEATURES

- All the exhaust ports of the spool valve are connectable, providing better environmental protection. Particularly recommended for sensitive areas, such as clean rooms, and applications in the pharmaceutical and food processing sectors
- The valves offer environmental protection against the ingress of liquids, dusts or other foreign matter (environmentally-protected construction)
- Can be externally piloted (external air pilot supply) to convert valve to zero minimum operation by flipping a gasket
- The monostable spool valves in conformity with IEC 61508 Standard (2010 route 2, version) have TÜV certified with integrity levels: SIL 2 for HFT = 0 / SIL 3 for HFT = 1
- The solenoid valves satisfy all relevant EU directives

GENERAL

Differential pressure 2 - 10,4 bar [1 bar = 100 kPa]
Flow (Qv at 6 bar) 860 l/min (ANR)

fluids (*)	temperature range (TS)	seal materials (*)
air, inert gas, filtered	-40°C to +60°C	VMQ (silicone) + PUR (polyurethane)

MATERIALS IN CONTACT WITH FLUID

(*) Ensure that the compatibility of the fluids in contact with the materials is verified

Body, end cover, seats	Brass
Spool valve internal parts	Brass, stainless steel, POM
Core tube	Stainless steel
Core and plugnut	Stainless steel
Core spring	Stainless steel
Top disc	PA
Pilot seals	FPM, NBR
Shading coil	Copper

OTHERS MATERIALS

Solenoid enclosure (WP) Zinc plated steel (epoxy coated)

ELECTRICAL CHARACTERISTICS

Coil insulation class	F
Connector (SC)	Spade plug (cable Ø 6-10 mm)
Connector specification (SC)	ISO 4400 / EN 175301-803, form A
Coil connection (WP)	Embedded screw terminal (cable ø 7 - 12 mm)
Cable entry (WP)	Cable gland, polyamide (PA), M20x1,5
Electrical safety	IEC 335
Electrical enclosure protection	Moulded IP65 (SC) or IP67 (WP) (EN 60529)
Standard voltages	DC (=): 24V - 48V AC (~): 24V - 48V - 115V - 230V / 50 Hz
(Other voltages and 60 Hz on request)	

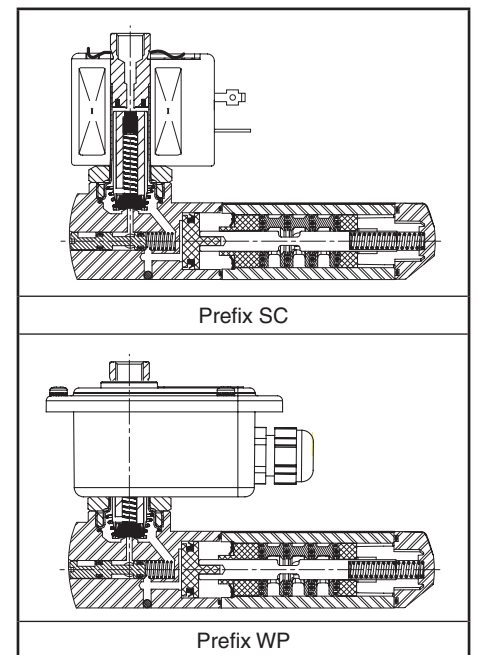
prefix option	power ratings				operator ambient temperature range (TS) (C°)	replacement coil		type ⁽¹⁾
	inrush ~ (VA)	holding ~ (W)		hot/cold = (W)		~ 230 V/50 Hz	= 24 V DC	
		(VA)	(W)					
SC	55	23	10,5	9 / 11,2	-40 to +75	400425-117	400425-142	01
WP	55	23	10,5	9 / 11,2	-40 to +75	400405-117	400405-142	02

⁽¹⁾ Refer to the dimensional drawings on the following page.

SPECIFICATIONS

pipe size	orifice size (mm)	flow coefficient Kv (m³/h) (l/min)		operating pressure differential (bar)		power coil (W)		catalogue number		options		
				min. ⁽²⁾	max. (PS) air (*)			(type 01)	(type 02)	impulse / maintained man. operator		
G	(mm)	(m³/h)	(l/min)	~	=	~	=	~/=	~/=			
NC - Normally closed, solenoid air pilot operated - spring return (monostable)												
1/4	6	0,75	12,5	0 / 2	10	10	10,5	11,2	SCG551A407	WPG551A407	MO	- -
NC - Normally closed, solenoid air pilot operated and return (bistable)												
1/4	6	0,75	12,5	0 / 2	10	10	10,5	11,2	SCG551A408	WPG551A408	MO	- -
NC - Solenoid air pilot operated - spring return (monostable), certified IEC 61508 Functional Safety data												
1/4	6	0,75	12,5	0 / 2	10	10	10,5	11,2	SCG551A407SL	WPG551A407SL	-	- -

⁽²⁾ Zero minimum is only achieved if external pressure is applied.



00080GB-2018/R01 Availability, design and specifications are subject to change without notice. All rights reserved.

All leaflets are available on: www.asco.com



青岛秉诚自动化设备有限公司
地址：中国·青岛市重庆南路99号海尔云街甲3号楼7F

服务热线：4006-918-365
网址：http://www.ivalve.com

Solenoid valves (3/2) - 43
传真：(86-532)585-10-365
Email：sales@bechinas.com

OPTIONS

- Valves configured for external pilot air supply, use TPL 20547
- Explosionproof enclosures for use in zones 0/20-1/21-2/22, categories 1-2-3 to ATEX-Directive 2014/34/EU (www.asco.com)
- Compliance with "UL", "CSA" and other local approvals available on request
- Coil insulation class H for max. ambient temperature +80°C, prefix HT ("SCHT" or "WPHT")
- 1/2" NPT (prefix "T") and M20 x 1.5 (prefix "ET") conduits (aluminium or 316 SS) available for steel solenoid enclosure
- Other pipe connections are available on request
- Connector with visual indication and peak voltage suppression or with cable length of 2 m (www.asco.com)

INSTALLATION

- The solenoid valves can be mounted in any position without affecting operation
- Do not connect the pressure supply to the exhaust port 3. The "environmentally-protected" construction is not adapted for a "distributing" function or use in NO function. Contact us for functions available in specific versions
- It is necessary to connect pipes or fittings to the exhaust ports to protect the internal parts of the spool valve and its pneumatic operator if used outside or in harsh environments (dusts, liquids etc.)
- IEC 61508 Functional Safety (suffix SL). Check temperature range of valve body and solenoid for suitability. For probability of failure, contact us
- Threaded pipe connection is standard: G = G (ISO 228/1)
- Prefix "WP" execution: solenoid enclosure has a cable gland with integral strain relief for cables with an O.D. from 7 to 12 mm and is provided with internal and external grounding terminals
- Valves with suffix "SL" are supplied with specific exhaust protectors
- Installation/maintenance instructions are included with each valve

ACCESSORIES

series	pipe size	exhaust protector (stainless steel)
551	G 1/8	34600418 ⁽¹⁾
	G 1/4	34600419 ⁽¹⁾

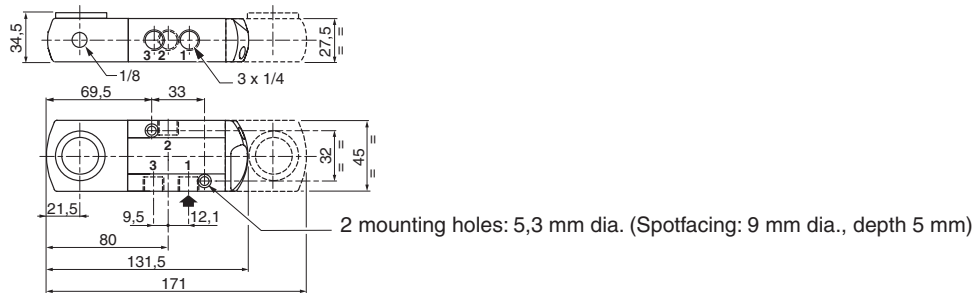
⁽¹⁾ Supplied with suffix "SL".

ORDERING EXAMPLES:

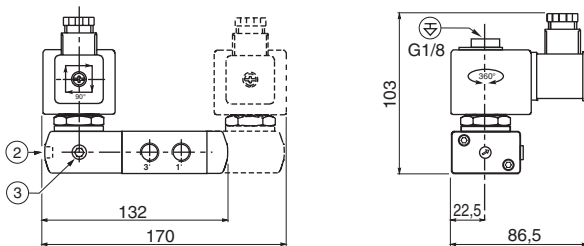
	SC	G	551	A	407	230V / 50 Hz
	SC	G	551	A	407	SL 230V / 50 Hz
	WP	G	551	A	408	24V / 50 Hz
	WP	G	551	A	407	MO 115V / 50 Hz
	WPHT	G	551	A	408	MO 230V / 50 Hz

prefix ———
 pipe thread ———
 basic number ———
 voltage ———
 suffix ———

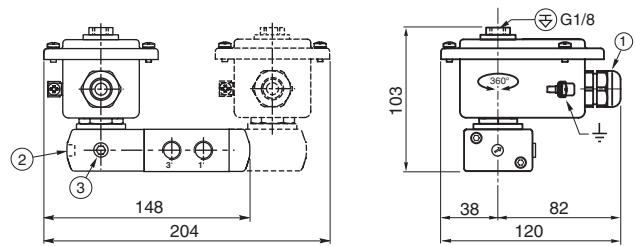
DIMENSIONS (mm), WEIGHT (kg)



TYPE 01
Prefix "SC" Solenoid
Epoxy moulded
IEC 335 / ISO 4400
IP65



TYPE 02
Prefix "WP" Solenoid
Metal; epoxy coated
IEC 335
IP67



type	prefix option	weight ⁽¹⁾	
		monostable	bistable
01	SC	1,44	2,20
02	WP	1,62	2,28

⁽¹⁾ Including coil(s), connector (SC) and cable gland (WP).

- ① Cable gland for unarmoured cable with 7 to 12 mm dia. sheath
- ② Manual operator location
- ③ External pilot air supply, 1/8 pipe size

All leaflets are available on: www.asco.com



SUPPLY RAIL

for mounting of
monostable/bistable spool valves
1/4 - 3/8 - 1/2

Series
881

FEATURES

- Supply rail 1/4 (for valve series 551, L1), 3/8 (for valve series L2) and 1/2 (for valve series 553, L8)
- Easy, quick and cost-effective installation
- Orientable rail mounting for easy adaption to specific machine arrangement
- Available with up to 8 outlets

GENERAL

Max. inlet pressure 0 - 16 bar [1 bar = 100 kPa]
Differential pressure 0 - 10 bar
Ambient temperature -20°C to + 60°C

fluids (*)	temperature range (TS)	seal materials (*)
air, inert gas, filtered	-20°C to + 60°C ⁽¹⁾	NBR (nitrile)

⁽¹⁾ -20°C to +90°C when using valves other than those of series 551/521/L1/L2/553/L8.



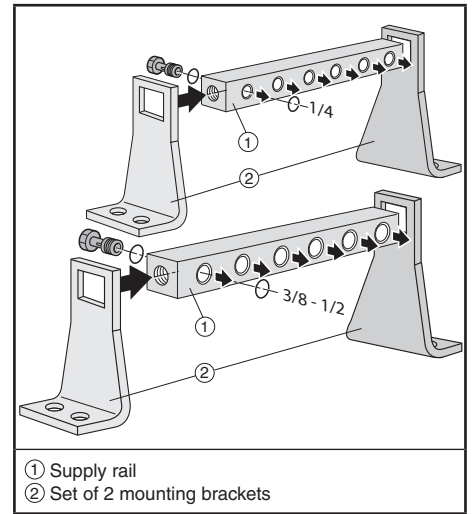
MATERIALS IN CONTACT WITH FLUID

(*) Ensure that the compatibility of the fluids in contact with the materials is verified

Supply rail Aluminium
Banjo bolts Brass nickel plated
O-rings NBR

OTHER MATERIALS

Mounting brackets Steel



SPECIFICATIONS

supply inlet size	orifice size	flow coefficient Kv		operating pressure differential (bar)			number of outlets	catalogue number (supply rail for «n» valves)		
				min.	max. (PS)			for valves G 1/4 (series 521, 551, L1, L2,...)	for valves G 3/8 (series L2,...)	for valves G 1/2 (series 553, L8,...)
					air inert gas (*)	~				
G	(mm)	(m³/h)	(l/min)							
Supply rail with seals and banjo bolts, without mounting brackets										
3/8 (outlets 2..8 x 1/4)	7	1,2	20	0	10	10	2	88100034	-	-
							3	88100035	-	-
							4	88100036	-	-
							5	88100037	-	-
							6	88100038	-	-
							7	88100039	-	-
							8	88100040	-	-
3/4 (outlets 2..8 x 3/8 or 1/2)	12 (3/8) 13 (1/2)	2,7 (3/8) 3 (1/2)	45 (3/8) 50 (1/2)	0	10	10	2	-	88100800	88100759
							3	-	88100801	88100760
							4	-	88100802	88100761
							5	-	88100803	88100762
		6	-				88100804	88100763		
		7	-				88100805	88100764		
		8	-				88100806	88100765		
		Set of 2 mounting brackets								
-	-	-	-	-	-	-	88100049	88100773		

00194GB-2017/R01
 Availability, design and specifications are subject to change without notice. All rights reserved.

All leaflets are available on: www.asco.com



青岛秉诚自动化设备有限公司
 地址：中国·青岛市重庆南路99号海尔云街甲3号楼7F

服务热线：4006-918-365
 网址：http://www.ivalve.cc

Pneumatic Valves (3/2 - 5/2 - 5/3) - 45
 传真：(86-532)585-10-365
 Email：sales@bechinas.com

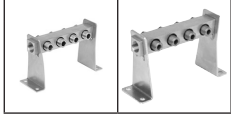
OPTIONS

- Other pipe connections are available on request

INSTALLATION

- The supply rails can be mounted in any position without affecting operation
- Threaded pipe connection is standard: G = G (ISO 228/1)
- Installation/maintenance instructions are included with each supply rail

DIMENSIONS (mm), WEIGHT (kg)

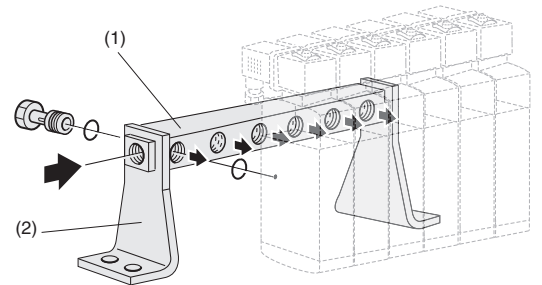
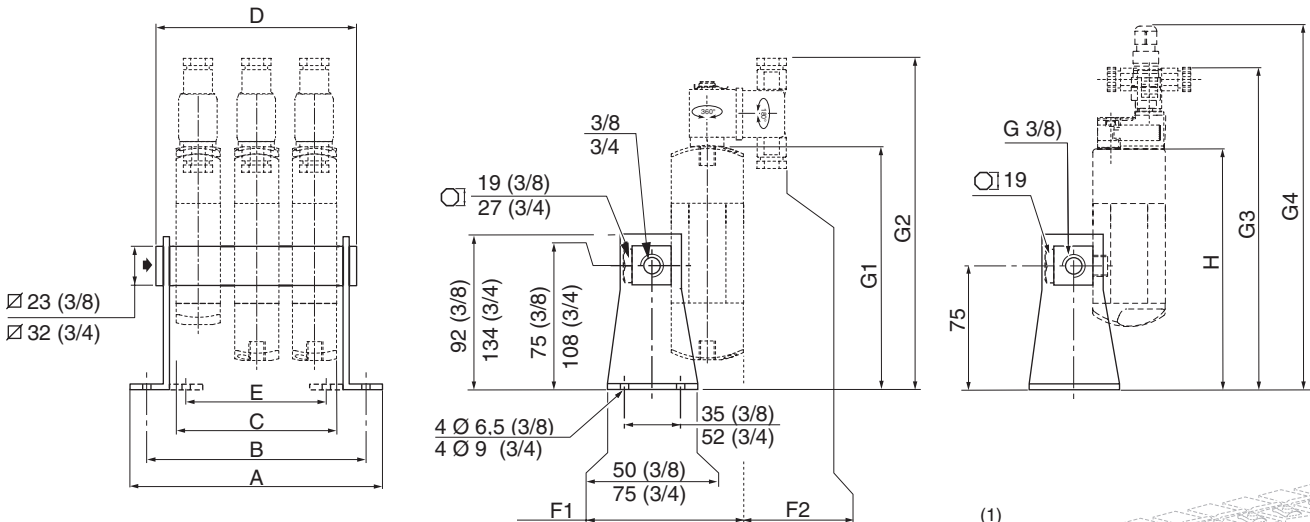


TYPE 01- 02

Supply rails
Aluminium

Type 01 = Inlet G 3/8, outlets G 1/4

Type 02 = Inlet G 3/4, outlets G 3/8 or G 1/2



(1) Supply rail

(2) Set of 2 mounting brackets

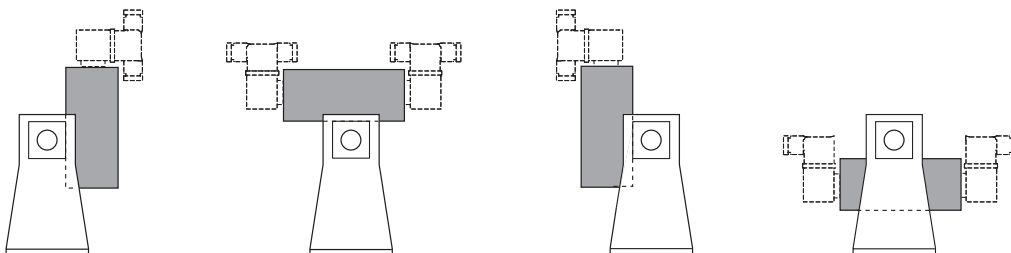
type	supply inlet size	number of valves	A	B	C	D	E	weight ⁽²⁾		
								1/4	3/8	1/2
01	3/8	2	108	92	55	78	42	0,125	-	-
		3	136	120	83	106	70	0,176	-	-
		4	164	148	111	134	98	0,225	-	-
		5	192	176	139	162	126	0,276	-	-
		6	220	204	167	190	154	0,326	-	-
		7	248	232	195	218	182	0,374	-	-
		8	276	260	223	246	210	0,424	-	-
02	3/4	2	136	116	81	117	-	-	0,322	0,350
		3	177	157	122	158	-	-	0,454	0,497
		4	218	198	163	199	-	-	0,591	0,648
		5	259	239	204	240	-	-	0,719	0,791
		6	300	280	245	281	-	-	0,844	0,930
		7	341	321	286	322	-	-	0,990	1,091
		8	382	362	327	363	-	-	1,115	1,230

adaptable valves	F1	F2	G1	G2	G3	G4	H
551	82	27	148	194	197	232	147
521	68	26	-	166	-	-	-
L1	78	22	78	160	-	-	-
552	126	20	202	260	-	-	-
L2	88	22	88	168	-	-	-
553	126	20	202	260	-	-	-
L8	111	22	111	256	-	-	-

⁽²⁾ Supply rail with banjo bolts and seals

Additional weight per set of 2 mounting brackets: G 3/8 outlets 1/4 = 0,186 , G 3/4 outlets 3/8 or 1/2 = 0,416

This mounting arrangement allows valves to be mounted in any of 4 positions.



All leaflets are available on: www.asco.com

46 - Pneumatic Valves (3/2 - 5/2 - 5/3)

BCAE
Automation Solutions

青岛秉诚自动化设备有限公司
地址：中国·青岛市重庆南路99号海尔云街甲3号楼7F

服务热线：4006-918-365
网址：<http://www.ivalve.com>

传真：(86-532)585-10-365
Email：sales@bechinas.com



SUPPLY RAIL WITH PRESSURE ISOLATION VALVES

for mounting of monostable/bistable valves

1/4

Series
881

FEATURES

- Supply rail allowing for easy installation of isolation valves during operation without having to cut the general pressure supply
- Supply rail designed for a large variety of 1/4" valves (521, 551, L1, L2)
- Isolation valves, mounting brackets and hardware included for immediate installation
- Large range of optional accessories to allow the rail to be adapted to different uses: 1/8" isolation valve, supply pressure isolation valve, shut-off valve etc.

GENERAL

Max. inlet pressure 0 - 16 bar [1 bar = 100 kPa]
Differential pressure 0 - 10 bar
Ambient temperature -20°C to +90°C

fluids (*)	temperature range (TS)	seal materials (*)
air, inert gas, filtered	- 25°C to + 60°C	NBR (nitrile)

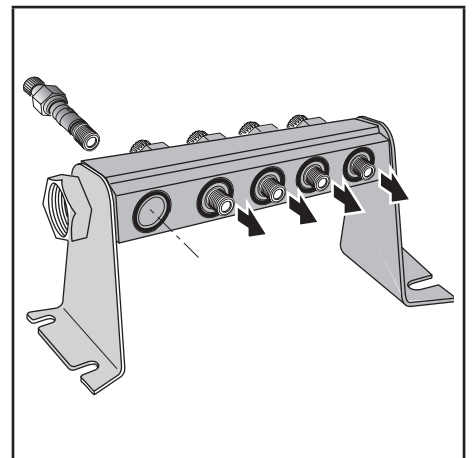
MATERIALS IN CONTACT WITH FLUID

(*) Ensure that the compatibility of the fluids in contact with the materials is verified

Supply rail Aluminium
End pieces Stainless steel
Screw/isolation valve Stainless steel
O-rings NBR

OTHER MATERIALS

Low mounting brackets (65 mm) Stainless steel



SPECIFICATIONS

supply inlet size	orifice size	flow coefficient Kv		operating pressure differential (bar)			number of outlets	catalogue number (supply rail for «n» valves with end pieces and low 65 mm mounting brackets)
				min.	max. (PS)			
G	(mm)	(m³/h)	(l/min)		air inert gas (*)			
				~	=			
Supply rail with isolation valves, end pieces and low mounting brackets								
1/2 (outlets 2..12 x 1/4)	6,8	1,1	18,3	0	10	10	2	88100915
							3	88100916
							4	88100917
							5	88100918
							6	88100919
							7	88100920
							8	88100921
							9	88100922
							10	88100923
							11	88100924
							12	88100925

00194GB-2017/R01 Availability, design and specifications are subject to change without notice. All rights reserved.

All leaflets are available on: www.asco.com



青岛秉诚自动化设备有限公司
 地址：中国·青岛市重庆南路99号海尔云街甲3号楼7F

服务热线：4006-918-365
 网址：http://www.ivalve.com

Pneumatic Valves (3/2 - 5/2 - 5/3) - 47
 传真：(86-532)585-10-365
 Email：sales@bechinas.com

OPTIONS

- High mounting brackets (120 mm) for lateral and bottom mounting of bistable valves
- Isolation valve with G 1/8 thread for valve type L1
- Supply pressure isolation valve
- Shut-off valve 1/4
- Other pipe connections are available on request

INSTALLATION

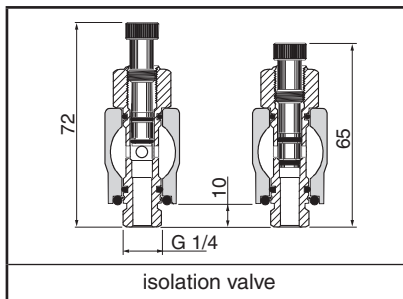
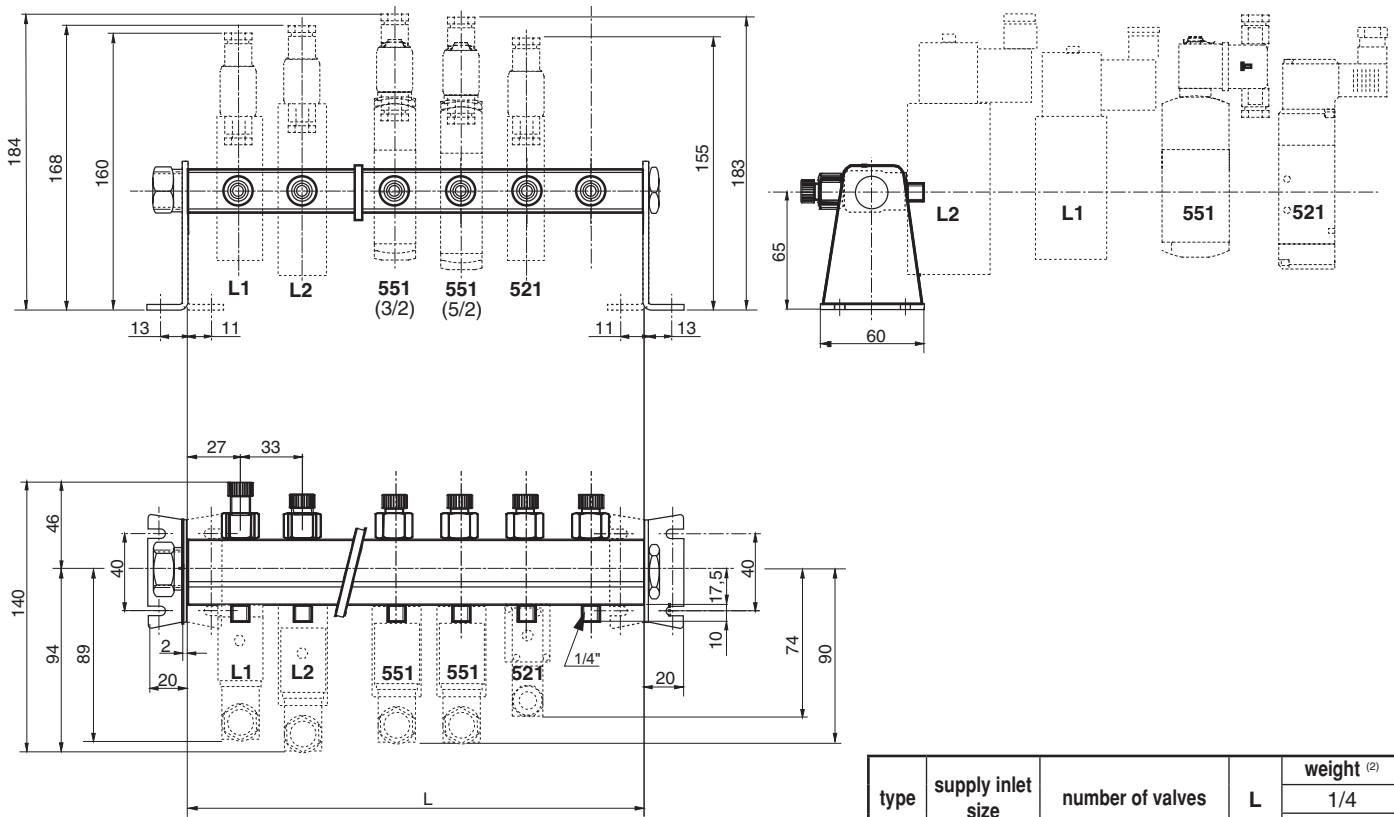
- The supply rails can be mounted in any position without affecting operation
- Threaded pipe connection is standard: G = G (ISO 228/1)
- Installation/maintenance instructions are included with each supply rail

DIMENSIONS (mm), WEIGHT (kg)



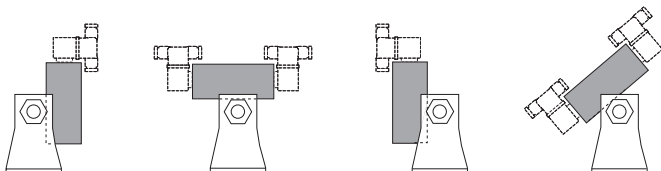
TYPE 01

Supply rails
Aluminium
Inlet G 1/2, outlets G 1/4



⁽²⁾ Supply rail with plugging screws, mounting brackets and seals.

This mounting arrangement allows valves to be mounted in any of several positions.



All leaflets are available on: www.asco.com

48 - Pneumatic Valves (3/2 - 5/2 - 5/3)



青岛秉诚自动化设备有限公司
地址：中国·青岛市重庆南路99号海尔云街甲3号楼7F

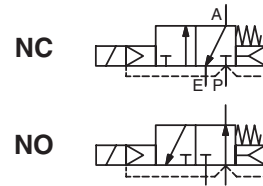
服务热线：4006-918-365
网址：<http://www.ivalve.cc>

传真：(86-532)585-10-365
Email：sales@bechinas.com



SOLENOID VALVES

pilot operated, high flow
floating diaphragms
3/8 to 1



3/2
Series
316

FEATURES

- Brass bodied high flow valves with two floating diaphragms for larger single actuators
- The solenoid valves vent to 0 bar
- Direct lift pilot operators have a resilient soft seating to control the floating diaphragms and to ensure absolute tight shut-off
- The solenoid valves satisfy all relevant EU Directives

GENERAL

Differential pressure See «SPECIFICATIONS» [1 bar =100 kPa]
Maximum viscosity 65 cSt (mm²/s)
Response time 40 - 120 ms

fluids (*)	temperature range (TS)	seal materials (*)
air, inert gas, water	- 20°C to + 80°C	NBR (nitrile)

MATERIALS IN CONTACT WITH FLUID

(*) Ensure that the compatibility of the fluids in contact with the materials is verified

Body	Brass
Core tube	Stainless steel
Core and plugnut	Stainless steel
Core spring	Stainless steel
Seat	Brass
Seat insert	POM
Seals & discs	NBR
Diaphragms	NBR
Disc holder	POM
Shading coil	Copper

ELECTRICAL CHARACTERISTICS

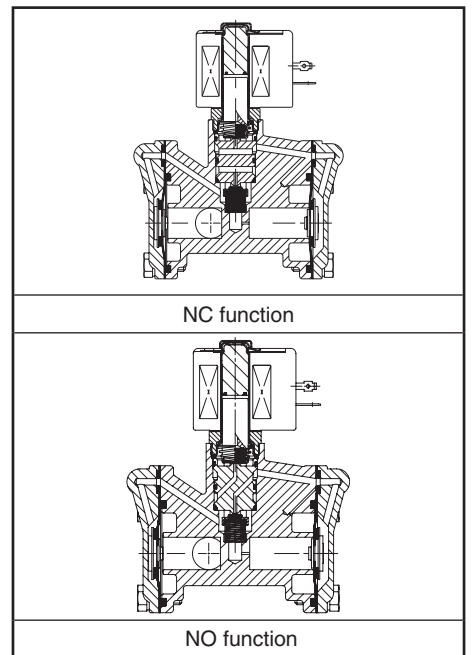
Coil insulation class F
Connector Spade plug (cable Ø 6-10 mm)
Connector specification ISO 4400 / EN 175301-803, form A
Electrical safety IEC 335
Electrical enclosure protection Moulded IP65 (EN 60529)
Standard voltages DC (=) : 24V - 48V
 (Other voltages and 60 Hz on request) AC (~) : 24V - 48V - 115V - 230V / 50 Hz

prefix option	power ratings				operator ambient temperature range (TS) (C°)	replacement coil		type ⁽¹⁾
	inrush ~ (VA)	holding ~ (W)		hot/cold = (W)		~ 230 V/50 Hz	= 24 V DC	
		(VA)	(W)					
SC	34	15,6	6	7 / 9,7	-20 to + 75	400325-117	400325-142	01
	78	35	16,7	-	-20 to + 50	400425-217	-	02
	-	-	-	12/16,8	-20 to + 75	-	400625-142	03

(1) Refer to the dimensional drawings on the following page.

SPECIFICATIONS

pipe size	orifice size	flow coefficient Kv		operating pressure differential (bar)								power coil (W)		catalogue number	options						
				min.	max. (PS)				min.	max. (PS)					maintained man. operator	FPM	EPDM	CR	PTFE		
					air (*)	water (*)	air (*)	water (*)		air (*)	water (*)									air (*)	water (*)
NPT	(mm)	(m ³ /h)	(l/min)										~/=								
NC - Normally closed																					
3/8	16	2	33,3	0,7	8,5	8,5	8,5	8,5	-	-	6	9,7	SCB316A054	MO	V	E	-	-			
					17	17	17	17	-	-	16,7	16,8							SCB316D014		
1/2	16	2,8	46,6	0,7	8,5	8,5	8,5	8,5	-	-	6	9,7	SCB316A064	MO	V	E	J	-			
					17	17	17	17	-	-	16,7	16,8							SCB316D024		
3/4	18	4,2	70	0,7	8,5	8,5	8,5	8,5	-	-	6	9,7	SCB316B074	MO	V	E	-	-			
					17	17	17	17	-	-	16,7	16,8							SCB316E044		
1	25	11,3	188,3	0,7	8,5	8,5	8,5	8,5	-	-	6	9,7	SCB316E034	MO	V	E	-	-			
NO - Normally open																					
3/8	16	2	33,3	0,7	8,5	8,5	8,5	8,5	-	-	6	9,7	SCB316A056	MO	V	E	-	-			
					17	17	17	17	-	-	16,7	16,8							SCB316D016		
1/2	16	2,8	46,6	0,7	8,5	8,5	8,5	8,5	-	-	6	9,7	SCB316A066	MO	V	E	-	-			
					17	17	17	17	-	-	16,7	16,8							SCB316D026		
3/4	18	4,2	70	0,7	8,5	8,5	8,5	8,5	-	-	6	9,7	SCB316B076	MO	V	E	-	-			
					17	17	17	17	-	-	16,7	16,8							SCB316E046		
1	25	11,3	188,3	0,7	8,5	8,5	8,5	8,5	-	-	6	9,7	SCB316E036	MO	V	E	-	-			



00081GB-2017/R01 Availability, design and specifications are subject to change without notice. All rights reserved.

All leaflets are available on: www.asco.com



青岛秉诚自动化设备有限公司
地址：中国·青岛市重庆南路99号海尔云街甲3号楼7F

服务热线：4006-918-365
网址：http://www.ivalve.cc

Solenoid valves (3/2) - 49
传真：(86-532)585-10-365
Email：sales@bechinas.com

OPTIONS

- Valves can also be supplied with FPM (fluoroelastomer), EPDM (ethylene-propylene), CR (chloroprene) and PTFE seals and discs. Use the appropriate optional suffix letter for identification
- Waterproof enclosure with embedded screw terminal coil according to protection class IP67, CEE-10
- Explosionproof enclosures for use in zones 1/21-2/22, categories 2-3 to ATEX Directive 2014/34/EU (www.asco.com)
- Electrical enclosures according to "NEMA" standards are available
- Compliance with "UL", "CSA" and other local approvals available on request
- Mounting brackets for brass body valves, suffix MB
- Other pipe connections are available on request
- Connector with visual indication and peak voltage suppression or with cable length of 2 m (www.asco.com)

INSTALLATION

- The solenoid valves can be mounted in any position without affecting operation
- Pipe connection identifier is B = NPT (ANSI 1.20.3)
- Installation/maintenance instructions are included with each valve

SPARE PARTS KIT & ACCESSORIES

catalogue number	spare parts kit no.		mounting bracket no.
	~	=	
SCB316A054/A064/B074	C314491	C314540	038713-000
SCB316D014/D024/E044	C314495	C314550	038713-000
SCB316E034	C302661	C302681	-
SCB316E036	C302671	C302691	-
SCB316A056/A066/B076	C314492	C314494	038713-000
SCB316D016/D026/E046	C314496	C314551	038713-000

(1) Standard prefixes/suffixes are also applicable to kits.
- Not available

ORDERING EXAMPLES:

SC	B	316	A	064	230V / 50 Hz
SC	B	316	A	064	MO 115V / 50 Hz
SC	B	316	D	016	V 24V / DC
SC	B	316	E	046	230V / 50 Hz

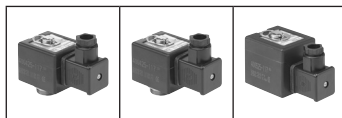
prefix pipe thread basic number voltage suffix

ORDERING EXAMPLES KITS:

C314491 ⁽¹⁾	
C314540	V
C314492	E

basic number suffix

DIMENSIONS (mm), WEIGHT (kg)



TYPE 01-02-03
Prefix "SC" Solenoid
Epoxy moulded
IEC 335 / ISO 4400
IP65

TYPE 01: B316A054/A064/A056/A066

TYPE 02/03: B316D014/D024/D016/D026

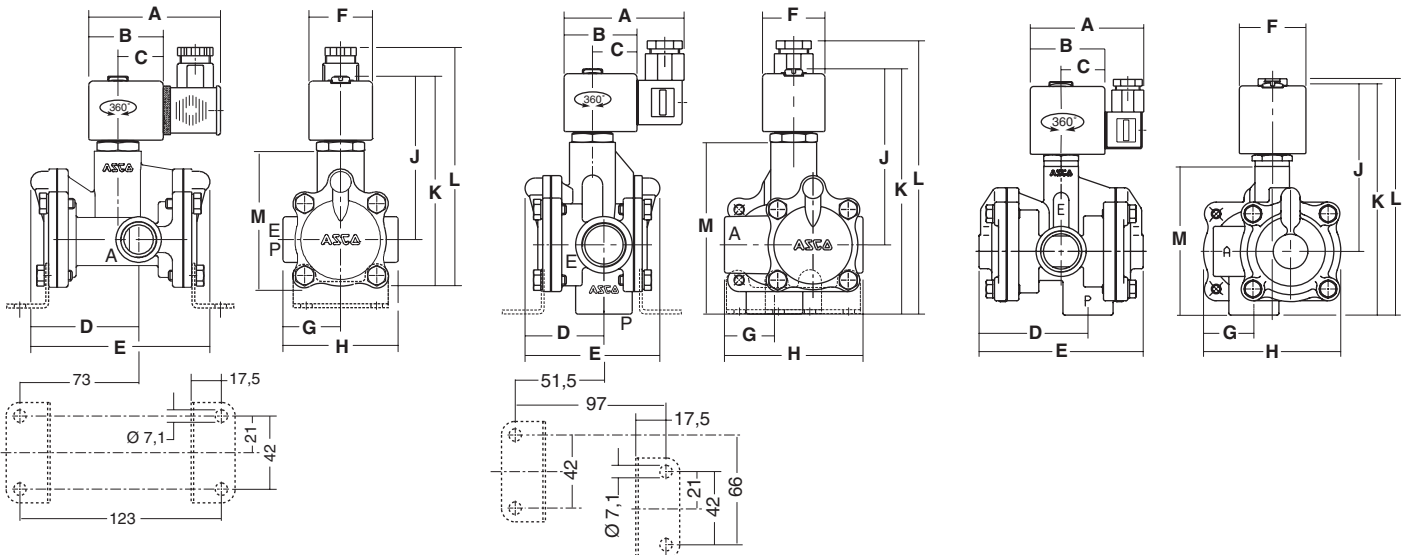
TYPE 01: B316B074/B076

TYPE 02/03: B316E044/E046



TYPE 01
Prefix "SC" Solenoid
Epoxy moulded
IEC 335 / ISO 4400
IP65

SCB316E034/E036



type	prefix option	catalogue number	A	B	C	D	E	F	G	H	J	K	L	M	weight ⁽²⁾
01	SC	SCB316A054/A056/B064/B066	75	45	27	69.5	110	39	35	70	100	130	140	85	1,6
		SCB316B074/B076	75	45	27	48	84	39	31	86	110	152	169	107	4,4
		SCB316E034/E036	75	45	27	90	136	39	41	113	116	168	185	123	3,4
02	SC	SCB316D014/D016/D024/D026 (~)	80	50	30	69.5	110	45	35	70	104	134	144	85	2,7
		SCB316E044/E046 (~)	80	50	30	48	84	45	31	86	114	156	173	107	4,4
03	SC	SCB316D014/D016/D024/D026 (=)	86	56	33	69.5	110	50	35	70	111	141	151	84	2,6
		SCB316E044/E046 (=)	86	56	33	48	84	50	31	86	121	163	163	106	4,4

(2) Incl. coil(s) and connector(s).

All leaflets are available on: www.asco.com