

Features

- Ideal for valve automation for the oil and gas market
- Reliable, robust design with high flow performance
- Low temperature options
- Stainless steel constructions are NACE MR0175-2003 compliant
- Corrosion resistant - 316L Stainless Steel valve materials make it ideal for offshore and harsh environments
- Extensive manual and pneumatic options
- Rated for air, inert gas, and sweet dry natural gas
- SIL 3 Capable options



Construction

Valve Parts in Contact with Fluids	
Body	316L Stainless Steel, Brass
Spring	Cobalt Alloy
Seals	FKM (standard), Low Temp NBR (optional)
Spool	316L Stainless Steel

Minimum Ambient/Fluid Temperature

Brass Stainless Steel

FKM: -4°F (-20°C) -4°F (-20°C)
NBR: -40°F (-40°C) -40°F (-40°C)

Note: Low Temperature option for all manual component options: -20°F to 200°F (-29°C to 93°C)

Approvals

SIL 3 Capable options

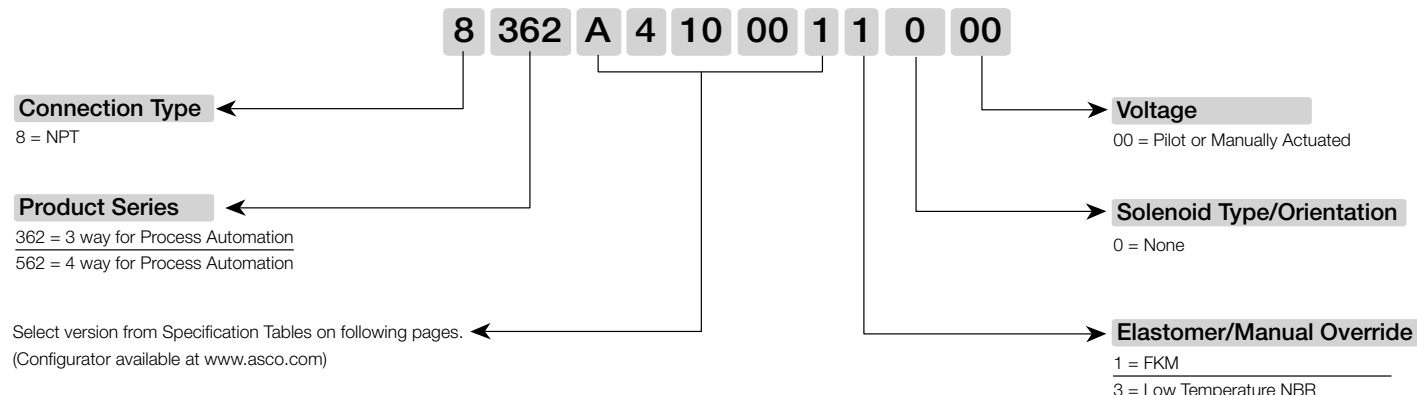
Refer to Engineering for details.

Important

These solenoid valves are intended for use on clean dry air, inert gas, or sweet dry natural gas filtered to 40 micron or better. The dew point of the media should be at least 10°C (18°F) below the minimum temperature to which any portion of the air, inert gas or sweet dry natural gas system could be exposed to prevent freezing. If lubricated air is used, the lubricants must be compatible with FKM and LT NBR elastomers. Instrument air in compliance with ANSI/ISA Standard 7.0.01-1996 exceeds the above requirements and is, therefore, an acceptable media for these valves.

SPECIAL SERVICE
PILOT

How to order



Specifications English (Metric)

Pipe Size (in)	Base Catalog Number ①		Function ②	Flow Cv (Kv)	Main Operating Pressure Differential psi (bar)		External Pilot Pressure psi (bar)		Product Weight lbs (kg)	Const. Ref.
	Stainless Steel	Brass			Min.	Max.	Min.	Max.		
Normally Closed / Externally Piloted										
1/4"	8362A108000	-	Pilot, Palm Button /Spring Return	2.0 (1.7)	0	150 (10.3)	25 (1.7)	150 (10.3)	1.19 (0.54)	2
1/4"	8362A110000	-	Pilot With Latching Reset/Spring Return	2.0 (1.7)	0	150 (10.3)	25 (1.7)	150 (10.3)	1.23 (0.56)	3
1/4"	8362A112000	-	Pilot, Palm Button With Latching Reset/Spring Return	2.0 (1.7)	0	150 (10.3)	25 (1.7)	150 (10.3)	1.25 (0.57)	4
1/4"	8362A114000	-	Palm Button/Spring Return	2.0 (1.7)	0	150 (10.3)	-	-	1.19 (0.54)	5
1/4"	8362A107000	-	Pilot Operated/Spring Return	2.0 (1.7)	0	150 (10.3)	25 (1.7)	150 (10.3)	0.9 (0.41)	1
1/4"	-	8362BA07000	Pilot Operated/Spring Return	1.8 (1.55)	0	150 (10.3)	40 (2.8)	150 (10.3)	1.65 (0.75)	31
1/4"	8362A147000	-	Manual Lever Return, Latches In Energized Position	2.0 (1.7)	0	150 (10.3)	25 (1.7)	150 (10.3)	1.94 (0.88)	25
1/4"	-	8362BA47000	Manual Lever Return, Latches In Energized Position	1.8 (1.55)	0	150 (10.3)	40 (2.8)	150 (10.3)	2.67 (1.21)	26
1/4"	8362A167000	-	Spring Return, Latches In Energized Position	2.0 (1.7)	0	150 (10.3)	25 (1.7)	150 (10.3)	1.94 (0.88)	25
1/4"	-	8362BA67000	Spring Return, Latches In Energized Position	1.8 (1.55)	0	150 (10.3)	40 (2.8)	150 (10.3)	2.67 (1.21)	26
1/4"	8362A187000	-	Spring Return, Latches In De-energized Position	2.0 (1.7)	0	150 (10.3)	25 (1.7)	150 (10.3)	1.94 (0.88)	25
1/4"	-	8362BA87000	Spring Return, Latches In De-energized Position	1.8 (1.55)	0	150 (10.3)	40 (2.8)	150 (10.3)	2.67 (1.21)	26
3/8"	8362A207000	-	Pilot Operated/Spring Return	4.8 (4.2)	0	200 (13.8)	40 (2.8)	200 (13.8)	2.37 (1.07)	17
3/8"	8362A247000	-	Manual Lever Return, Latches In Energized Position	4.8 (4.2)	0	200 (13.8)	40 (2.8)	200 (13.8)	3.24 (1.47)	27
3/8"	8362A267000	-	Spring Return, Latches In Energized Position	4.8 (4.2)	0	200 (13.8)	40 (2.8)	200 (13.8)	3.24 (1.47)	27
3/8"	8362A287000	-	Spring Return, Latches In De-energized Position	4.8 (4.2)	0	200 (13.8)	40 (2.8)	200 (13.8)	3.24 (1.47)	27
3/8"	-	8362AC07000	Pilot Operated/Spring Return	4.0 (3.4)	0	200 (13.8)	40 (2.8)	200 (13.8)	2.98 (1.35)	17
3/8"	-	8362AC47000	Manual Lever Return, Latches In Energized Position	4.0 (3.4)	0	200 (13.8)	40 (2.8)	200 (13.8)	3.80 (1.72)	27
3/8"	-	8362AC67000	Spring Return, Latches In Energized Position	4.0 (3.4)	0	200 (13.8)	40 (2.8)	200 (13.8)	3.80 (1.72)	27
3/8"	-	8362AC87000	Spring Return, Latches In De-energized Position	4.0 (3.4)	0	200 (13.8)	40 (2.8)	200 (13.8)	3.80 (1.72)	27
1/2"	8362A307000	-	Pilot Operated/Spring Return	5.6 (4.8)	0	200 (13.8)	40 (2.8)	200 (13.8)	2.30 (1.04)	17
1/2"	8362A347000	-	Manual Lever Return, Latches In Energized Position	5.6 (4.8)	0	200 (13.8)	40 (2.8)	200 (13.8)	3.24 (1.47)	27
1/2"	8362A367000	-	Spring Return, Latches In Energized Position	5.6 (4.8)	0	200 (13.8)	40 (2.8)	200 (13.8)	3.24 (1.47)	27
1/2"	8362A387000	-	Spring Return, Latches In De-energized Position	5.6 (4.8)	0	200 (13.8)	40 (2.8)	200 (13.8)	3.24 (1.47)	27
1/2"	-	8362AD07000	Pilot Operated/Spring Return	5.0 (4.3)	0	200 (13.8)	40 (2.8)	200 (13.8)	2.87 (1.3)	17
1/2"	-	8362AD47000	Manual Lever Return, Latches In Energized Position	5.0 (4.3)	0	200 (13.8)	40 (2.8)	200 (13.8)	3.80 (1.72)	27
1/2"	-	8362AD67000	Spring Return, Latches In Energized Position	5.0 (4.3)	0	200 (13.8)	40 (2.8)	200 (13.8)	3.80 (1.72)	27
1/2"	-	8362AD87000	Spring Return, Latches In De-energized Position	5.0 (4.3)	0	200 (13.8)	40 (2.8)	200 (13.8)	3.80 (1.72)	27
3/4"	8362A407000	-	Pilot Operated/Spring Return	13.0 (11.2)	0	200 (13.8)	50 (3.4)	200 (13.8)	4.44 (9.78)	21
3/4"	-	8362AE07000	Pilot Operated/Spring Return	13.0 (11.2)	0	200 (13.8)	50 (3.4)	200 (13.8)	4.90 (10.80)	21
1"	8362A507000	-	Pilot Operated/Spring Return	15.5 (13.4)	0	200 (13.8)	50 (3.4)	200 (13.8)	4.31 (9.78)	21
1"	-	8362AF07000	Pilot Operated/Spring Return	15.5 (13.4)	0	200 (13.8)	50 (3.4)	200 (13.8)	4.71 (10.39)	21
Normally Open / Externally Piloted										
1/4"	8362A108001	-	Pilot, Palm Button /Spring Return	2.0 (1.7)	0	150 (10.3)	25 (1.7)	150 (10.3)	1.19 (0.54)	2
1/4"	8362A110001	-	Pilot With Latching Reset/Spring Return	2.0 (1.7)	0	150 (10.3)	25 (1.7)	150 (10.3)	1.23 (0.56)	3
1/4"	8362A112001	-	Pilot, Palm Button With Latching Reset/Spring Return	2.0 (1.7)	0	150 (10.3)	25 (1.7)	150 (10.3)	1.25 (0.57)	4
1/4"	8362A114001	-	Palm Button/Spring Return	2.0 (1.7)	0	150 (10.3)	-	-	1.19 (0.54)	5
1/4"	8362A107001	-	Pilot Operated/Spring Return	2.0 (1.7)	0	150 (10.3)	25 (1.7)	150 (10.3)	0.9 (0.41)	1
1/4"	-	8362BA07001	Pilot Operated/Spring Return	1.8 (1.55)	0	150 (10.3)	40 (2.8)	150 (10.3)	1.65 (0.75)	31
1/4"	8362A147001	-	Manual Lever Return, Latches In Energized Position	2.0 (1.7)	0	150 (10.3)	25 (1.7)	150 (10.3)	1.94 (0.88)	25
1/4"	-	8362BA47001	Manual Lever Return, Latches In Energized Position	1.8 (1.55)	0	150 (10.3)	40 (2.8)	150 (10.3)	2.67 (1.21)	26
1/4"	8362A167001	-	Spring Return, Latches In Energized Position	2.0 (1.7)	0	150 (10.3)	25 (1.7)	150 (10.3)	1.94 (0.88)	25
1/4"	-	8362BA67001	Spring Return, Latches In Energized Position	1.8 (1.55)	0	150 (10.3)	40 (2.8)	150 (10.3)	2.67 (1.21)	26
1/4"	8362A187001	-	Spring Return, Latches In De-energized Position	2.0 (1.7)	0	150 (10.3)	25 (1.7)	150 (10.3)	1.94 (0.88)	25
1/4"	-	8362BA87001	Spring Return, Latches In De-energized Position	1.8 (1.55)	0	150 (10.3)	40 (2.8)	150 (10.3)	2.67 (1.21)	26
3/8"	8362A207001	-	Pilot Operated/Spring Return	4.8 (4.1)	0	200 (13.8)	40 (2.8)	200 (13.8)	2.37 (1.07)	17
3/8"	8362A247001	-	Manual Lever Return, Latches In Energized Position	4.8 (4.2)	0	200 (13.8)	40 (2.8)	200 (13.8)	3.24 (1.47)	27
3/8"	8362A267001	-	Spring Return, Latches In Energized Position	4.8 (4.2)	0	200 (13.8)	40 (2.8)	200 (13.8)	3.24 (1.47)	27
3/8"	8362A287001	-	Spring Return, Latches In De-energized Position	4.8 (4.2)	0	200 (13.8)	40 (2.8)	200 (13.8)	3.24 (1.47)	27
3/8"	-	8362AC07001	Pilot Operated/Spring Return	4.8 (4.2)	0	200 (13.8)	40 (2.8)	200 (13.8)	3.24 (1.47)	17
3/8"	-	8362A247001	Manual Lever Return, Latches In Energized Position	4.0 (3.4)	0	200 (13.8)	40 (2.8)	200 (13.8)	2.98 (1.35)	17
3/8"	-	8362A267001	Spring Return, Latches In Energized Position	4.0 (3.4)	0	200 (13.8)	40 (2.8)	200 (13.8)	3.80 (1.72)	27
3/8"	-	8362A287001	Spring Return, Latches In De-energized Position	4.0 (3.4)	0	200 (13.8)	40 (2.8)	200 (13.8)	3.80 (1.72)	27
1/2"	8362A307001	-	Pilot Operated/Spring Return	4.0 (3.4)	0	200 (13.8)	40 (2.8)	200 (13.8)	3.80 (1.72)	17
1/2"	8362A347001	-	Manual Lever Return, Latches In Energized Position	5.6 (4.8)	0	200 (13.8)	40 (2.8)	200 (13.8)	2.30 (1.04)	27
1/2"	8362A367001	-	Spring Return, Latches In Energized Position	5.6 (4.8)	0	200 (13.8)	40 (2.8)	200 (13.8)	3.24 (1.47)	27
1/2"	8362A387001	-	Spring Return, Latches In De-energized Position	5.6 (4.8)	0	200 (13.8)	40 (2.8)	200 (13.8)	3.24 (1.47)	27
1/2"	-	8362AD07001	Pilot Operated/Spring Return	5.6 (4.8)	0	200 (13.8)	40 (2.8)	200 (13.8)	3.24 (1.47)	17
1/2"	-	8362AD47001	Manual Lever Return, Latches In Energized Position	5.0 (4.3)	0	200 (13.8)	40 (2.8)	200 (13.8)	2.87 (1.3)	17
1/2"	-	8362AD67001	Spring Return, Latches In Energized Position	5.0 (4.3)	0	200 (13.8)	40 (2.8)	200 (13.8)	3.80 (1.72)	27
1/2"	-	8362AD87001	Spring Return, Latches In De-energized Position	5.0 (4.3)	0	200 (13.8)	40 (2.8)	200 (13.8)	3.80 (1.72)	27
3/4"	8362A407001	-	Pilot Operated/Spring Return	13.0 (11.2)	0	200 (13.8)	50 (3.4)	200 (13.8)	4.44 (9.78)	21
3/4"	-	8362AE07001	Pilot Operated/Spring Return	13.0 (11.2)	0	200 (13.8)	50 (3.4)	200 (13.8)	4.90 (10.80)	21
1"	8362A507001	-	Pilot Operated/Spring Return	15.5 (13.4)	0	200 (13.8)	50 (3.4)	200 (13.8)	4.31 (9.78)	21
1"	-	8362AF07001	Pilot Operated/Spring Return	15.5 (13.4)	0	200 (13.8)	50 (3.4)	200 (13.8)	4.71 (10.39)	21
Normally Closed Detent/Externally Piloted										
1/4"	8362A109004	-	Pilot, Palm Button/Manual Return	2.0 (1.7)	0	150 (10.3)	25 (1.7)	150 (10.3)	1.36 (0.62)	6
1/4"	8362A115004	-	Palm Button/Manual Return	2.0 (1.7)	0	150 (10.3)	-	-	1.36 (0.62)	7
Normally Open Detent/Externally Piloted										
1/4"	8362A109005	-	Pilot, Palm Button/Manual Return	2.0 (1.7)	0	150 (10.3)	25 (1.7)	150 (10.3)	1.36 (0.62)	6
1/4"	8362A115005	-	Palm Button/Manual Return	2.0 (1.7)	0	150 (10.3)	-	-	1.36 (0.62)	7
Detent / Externally Piloted										
1/4"	8362A113007	-	Double Pilot	2.0 (1.7)	0	150 (10.3)	15 (1.0)	150 (10.3)	1.21 (0.55)	8
1/4"	-	8362BA13007	Double Pilot	1.8 (1.55)	0	150 (10.3)	15 (1.0)	150 (10.3)	2.32 (1.05)	32

① Please refer to How to Order section to complete base catalog number selection. ② 1/4", 3/8", and 1/2" brass and stainless steel valves can be used as selector valves with two different input pressures with no change to existing ratings. 3/4" and 1" valves can be used as selectors with LTNBR versions limited to -31°F (-35°C). In a selector valve, one pressure is applied to Port 1 and another pressure applied to Port 3. Operating the valve allows the user to select which input pressure will flow through Port 2. Port 2 will always be pressurized. Consult I&M sheet for more information.

Specifications English (Metric)

Pipe Size (in)	Base Catalog Number ①		Function ②	Flow Cv (Kv)	Main Operating Pressure Differential psi (bar)		External Pilot Pressure psi (bar)		Product Weight lbs (kg)	Const. Ref.
	Stainless Steel	Brass			Min.	Max.	Min.	Max.		
Externally Piloted										
1/4"	8562A108003	-	Pilot, Palm Button/Spring Return	2.0 (1.7)	0	150 (10.3)	25 (1.7)	150 (10.3)	1.36 (0.62)	10
1/4"	8562A110003	-	Pilot With Latching Reset/Spring Return	2.0 (1.7)	0	150 (10.3)	25 (1.7)	150 (10.3)	1.43 (0.65)	11
1/4"	8562A112003	-	Pilot, Palm Button With Latching Reset/Spring Return	2.0 (1.7)	0	150 (10.3)	25 (1.7)	150 (10.3)	1.45 (0.66)	12
1/4"	8562A114003	-	Palm Button/Spring Return	2.0 (1.7)	0	150 (10.3)	-	-	1.38 (0.63)	13
1/4"	8562A107003	-	Pilot Operated/Spring Return	2.0 (1.7)	0	150 (10.3)	25 (1.7)	150 (10.3)	1.08 (0.49)	9
1/4"	-	8562BA07003	Pilot Operated/Spring Return	1.8 (1.55)	0	150 (10.3)	40 (2.8)	150 (10.3)	2.07 (0.94)	33
1/4"	8562A147003	-	Manual Lever Return, Latches In Energized Position	2.0 (1.7)	0	150 (10.3)	25 (1.7)	150 (10.3)	2.12 (0.96)	28
1/4"	-	8562BA47003	Manual Lever Return, Latches In Energized Position	1.8 (1.55)	0	150 (10.3)	40 (2.8)	150 (10.3)	3.06 (1.39)	29
1/4"	8562A167003	-	Spring Return, Latches In Energized Position	2.0 (1.7)	0	150 (10.3)	25 (1.7)	150 (10.3)	2.12 (0.96)	28
1/4"	-	8562BA67003	Spring Return, Latches In Energized Position	1.8 (1.55)	0	150 (10.3)	40 (2.8)	150 (10.3)	3.06 (1.39)	29
1/4"	8562A187003	-	Spring Return, Latches In De-energized Position	2.0 (1.7)	0	150 (10.3)	25 (1.7)	150 (10.3)	2.12 (0.96)	28
1/4"	-	8562BA87003	Spring Return, Latches In De-energized Position	1.8 (1.55)	0	150 (10.3)	40 (2.8)	150 (10.3)	3.06 (1.39)	29
3/8"	8562A207003	-	Pilot Operated/Spring Return	4.8 (4.2)	0	200 (13.8)	40 (2.8)	200 (13.8)	2.93 (1.33)	18
3/8"	8562A247003	-	Manual Lever Return, Latches In Energized Position	4.8 (4.2)	0	200 (13.8)	40 (2.8)	200 (13.8)	2.93 (1.33)	30
3/8"	8562A267003	-	Spring Return, Latches In Energized Position	4.8 (4.2)	0	200 (13.8)	40 (2.8)	200 (13.8)	3.81 (1.73)	30
3/8"	8562A287003	-	Spring Return, Latches In De-energized Position	4.8 (4.2)	0	200 (13.8)	40 (2.8)	200 (13.8)	3.81 (1.73)	30
3/8"	-	8562AC07003	Pilot Operated/Spring Return	4.0 (3.4)	0	200 (13.8)	40 (2.8)	200 (13.8)	3.81 (1.73)	18
3/8"	-	8562AC47003	Manual Lever Return, Latches In Energized Position	4.0 (3.4)	0	200 (13.8)	40 (2.8)	200 (13.8)	4.65 (2.11)	30
3/8"	-	8562AC67003	Spring Return, Latches In Energized Position	4.0 (3.4)	0	200 (13.8)	40 (2.8)	200 (13.8)	4.65 (2.11)	30
3/8"	-	8562AC87003	Spring Return, Latches In De-energized Position	4.0 (3.4)	0	200 (13.8)	40 (2.8)	200 (13.8)	4.65 (2.11)	30
1/2"	8562A307003	-	Pilot Operated/Spring Return	5.6 (4.8)	0	200 (13.8)	40 (2.8)	200 (13.8)	2.82 (1.28)	18
1/2"	8562A347003	-	Manual Lever Return, Latches In Energized Position	5.6 (4.8)	0	200 (13.8)	40 (2.8)	200 (13.8)	3.81 (1.73)	30
1/2"	8562A367003	-	Spring Return, Latches In Energized Position	5.6 (4.8)	0	200 (13.8)	40 (2.8)	200 (13.8)	3.81 (1.73)	30
1/2"	8562A387003	-	Spring Return, Latches In De-energized Position	5.6 (4.8)	0	200 (13.8)	40 (2.8)	200 (13.8)	3.81 (1.73)	30
1/2"	-	8562AD07003	Pilot Operated/Spring Return	5.0 (4.3)	0	200 (13.8)	40 (2.8)	200 (13.8)	3.50 (1.59)	18
1/2"	-	8562AD47003	Manual Lever Return, Latches In Energized Position	5.0 (4.3)	0	200 (13.8)	40 (2.8)	200 (13.8)	4.65 (2.11)	30
1/2"	-	8562AD67003	Spring Return, Latches In Energized Position	5.0 (4.3)	0	200 (13.8)	40 (2.8)	200 (13.8)	4.65 (2.11)	30
1/2"	-	8562AD87003	Spring Return, Latches In De-energized Position	5.0 (4.3)	0	200 (13.8)	40 (2.8)	200 (13.8)	4.65 (2.11)	30
3/4"	8562A407003	-	Pilot Operated/Spring Return	13.0 (11.2)	0	200 (13.8)	50 (3.4)	200 (13.8)	12.84 (5.82)	22
3/4"	-	8562AE07003	Pilot Operated/Spring Return	13.0 (11.2)	0	200 (13.8)	50 (3.4)	200 (13.8)	12.84 (5.82)	22
1"	8562A507003	-	Pilot Operated/Spring Return	15.5 (13.4)	0	200 (13.8)	50 (3.4)	200 (13.8)	12.33 (5.59)	22
1"	-	8562AF07003	Pilot Operated/Spring Return	15.5 (13.4)	0	200 (13.8)	50 (3.4)	200 (13.8)	13.73 (6.23)	22
3/8"	8362A213003	-	Double Pilot	4.8 (4.1)	0	200 (13.8)	20 (1.4)	200 (13.8)	2.46 (1.11)	19
3/8"	-	8362AC13003	Double Pilot	4.0 (3.4)	0	200 (13.8)	20 (1.4)	200 (13.8)	2.95 (1.34)	19
3/8"	8562A213003	-	Double Pilot	4.8 (4.1)	0	200 (13.8)	20 (1.4)	200 (13.8)	3.02 (1.37)	20
3/8"	-	8562AC13003	Double Pilot	4.0 (3.4)	0	200 (13.8)	20 (1.4)	200 (13.8)	3.66 (1.66)	20
1/2"	8362A313003	-	Double Pilot	5.6 (4.8)	0	200 (13.8)	20 (1.4)	200 (13.8)	2.39 (1.08)	19
1/2"	-	8362AD13003	Double Pilot	5.0 (4.3)	0	200 (13.8)	20 (1.4)	200 (13.8)	2.85 (1.29)	19
1/2"	8562A313003	-	Double Pilot	5.6 (4.8)	0	200 (13.8)	20 (1.4)	200 (13.8)	2.91 (1.32)	20
1/2"	-	8562AD13003	Double Pilot	5.0 (4.3)	0	200 (13.8)	20 (1.4)	200 (13.8)	3.48 (1.58)	20
3/4"	8362A413003	-	Double Pilot	13.0 (11.2)	0	200 (13.8)	20 (1.4)	200 (13.8)	9.91 (4.50)	23
3/4"	-	8362AE13003	Double Pilot	13.0 (11.2)	0	200 (13.8)	20 (1.4)	200 (13.8)	10.93 (4.96)	23
3/4"	8562A413003	-	Double Pilot	13.0 (11.2)	0	200 (13.8)	20 (1.4)	200 (13.8)	12.97 (5.88)	24
3/4"	-	8562AE13003	Double Pilot	13.0 (11.2)	0	200 (13.8)	20 (1.4)	200 (13.8)	14.54 (6.60)	24
1"	8362A513003	-	Double Pilot	15.5 (13.4)	0	200 (13.8)	20 (1.4)	200 (13.8)	9.62 (4.37)	23
1"	-	8362AF13003	Double Pilot	15.5 (13.4)	0	200 (13.8)	20 (1.4)	200 (13.8)	10.51 (4.77)	23
1"	8562A513003	-	Double Pilot	15.5 (13.4)	0	200 (13.8)	20 (1.4)	200 (13.8)	12.46 (5.65)	24
1"	-	8562AF13003	Double Pilot	15.5 (13.4)	0	200 (13.8)	20 (1.4)	200 (13.8)	13.86 (6.29)	24
Detent / Externally Piloted										
1/4"	8562A113007	-	Double Pilot	2.0 (1.7)	0	150 (10.3)	15 (1.0)	150 (10.3)	1.38 (0.63)	14
1/4"	-	8562BA13007	Double Pilot	1.8 (1.55)	0	150 (10.3)	15 (1.0)	150 (10.3)	2.73 (1.24)	34
1/4"	8562A109007	-	Pilot, Palm Button/Manual Return	2.0 (1.7)	0	150 (10.3)	25 (1.7)	150 (10.3)	1.56 (0.71)	15
1/4"	8562A115007	-	Palm Button/Manual Return	2.0 (1.7)	0	150 (10.3)	-	-	1.52 (0.69)	16

① Please refer to How to Order section to complete base catalog number selection.

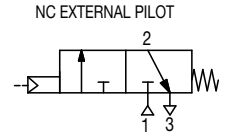
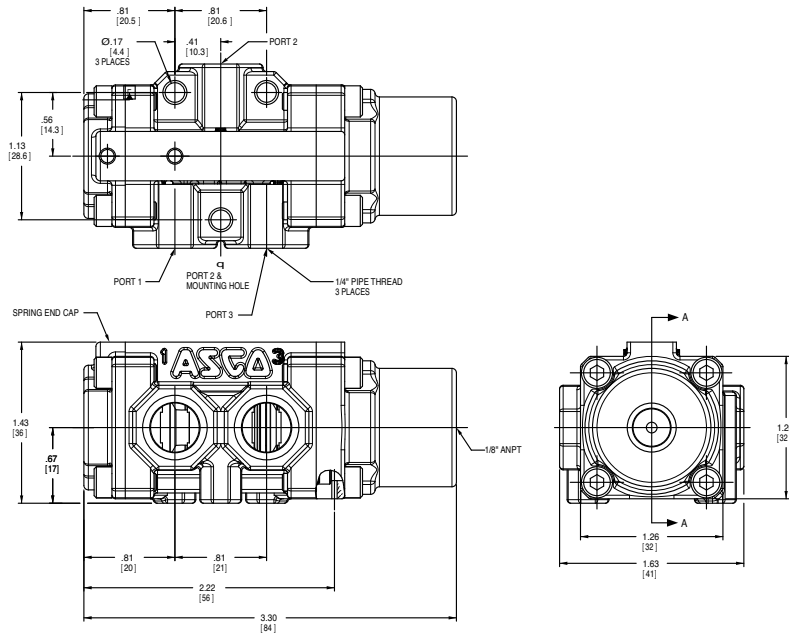
② 1/4", 3/8", and 1/2" brass and stainless steel valves can be used as selector valves with two different input pressures with no change to existing ratings.

3/4" and 1" valves can be used as selectors with LTNBR versions limited to -31°F (-35°C). In a selector valve, one pressure is applied to Port 1 and another pressure applied to Port 3. Operating the valve allows the user to select which input pressure will flow through Port 2. Port 2 will always be pressurized. Consult I&M sheet for more information.

SPECIAL SERVICE PILOT

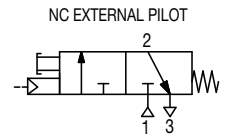
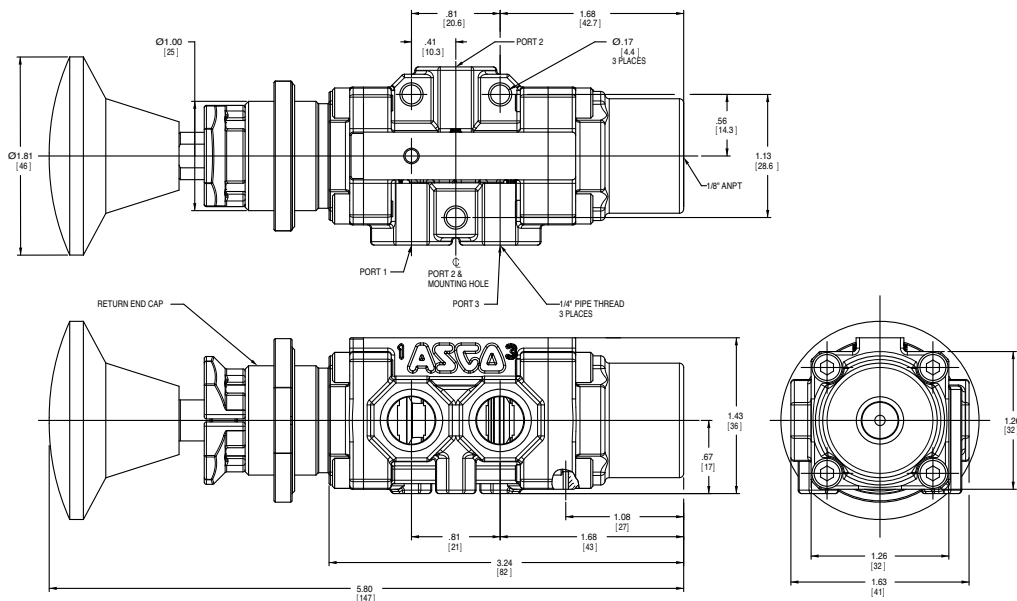
Dimensions: inches (mm)

Const. Ref. 1



Note: For Normally Open constructions the operator and return end cap are switched with respect to ports 1 & 3.

Const. Ref. 2

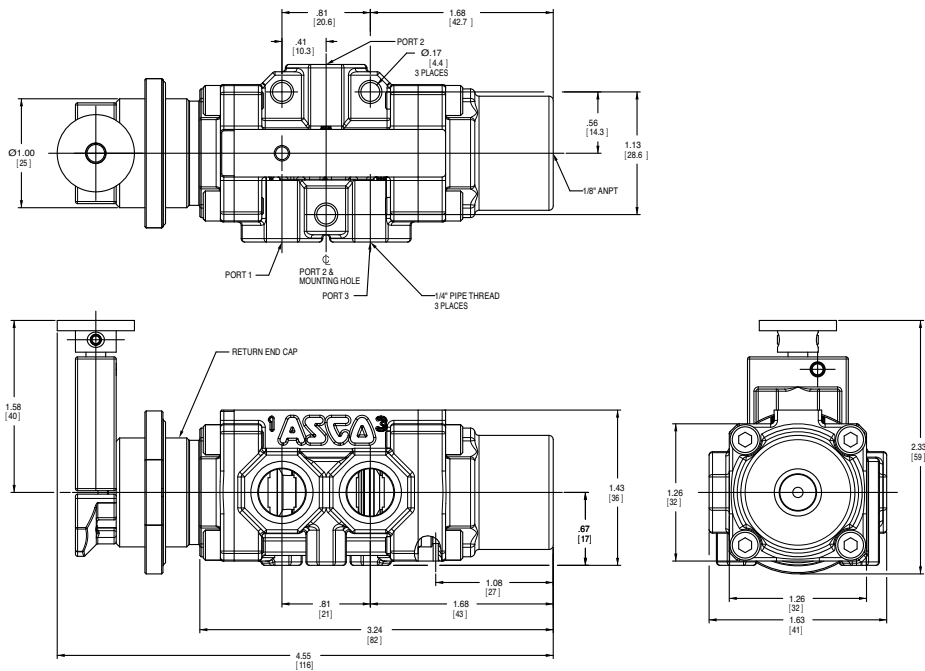


Note: For Normally Open constructions the operator and return end cap are switched with respect to ports 1 & 3.

SPECIAL SERVICE
PILOT

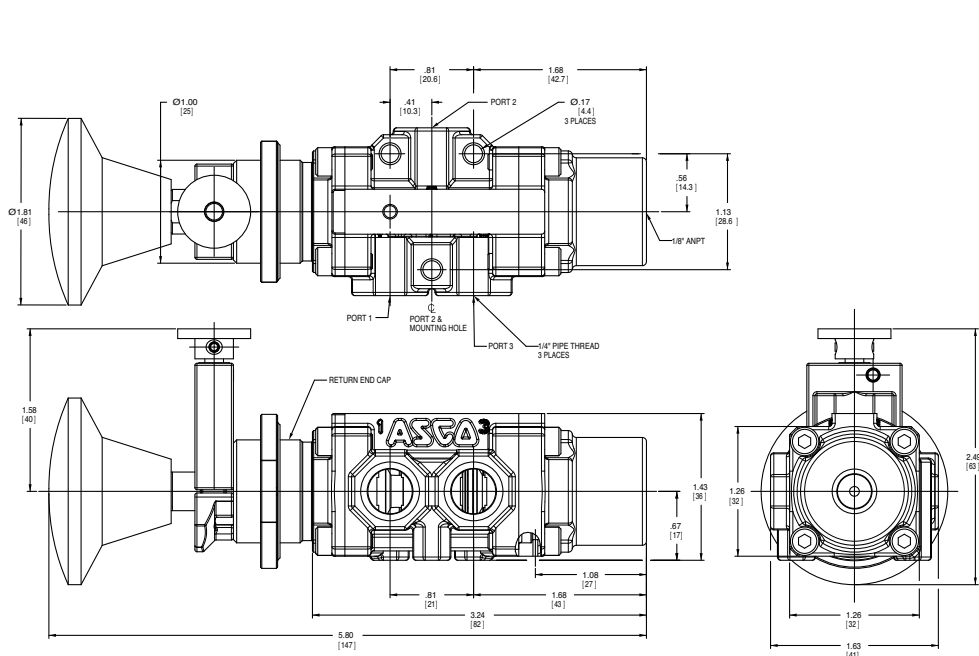
Dimensions: inches (mm)

Const. Ref. 3



Note: For Normally Open constructions the operator and return end cap are switched with respect to ports 1 & 3.

Const. Ref. 4

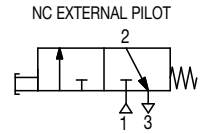
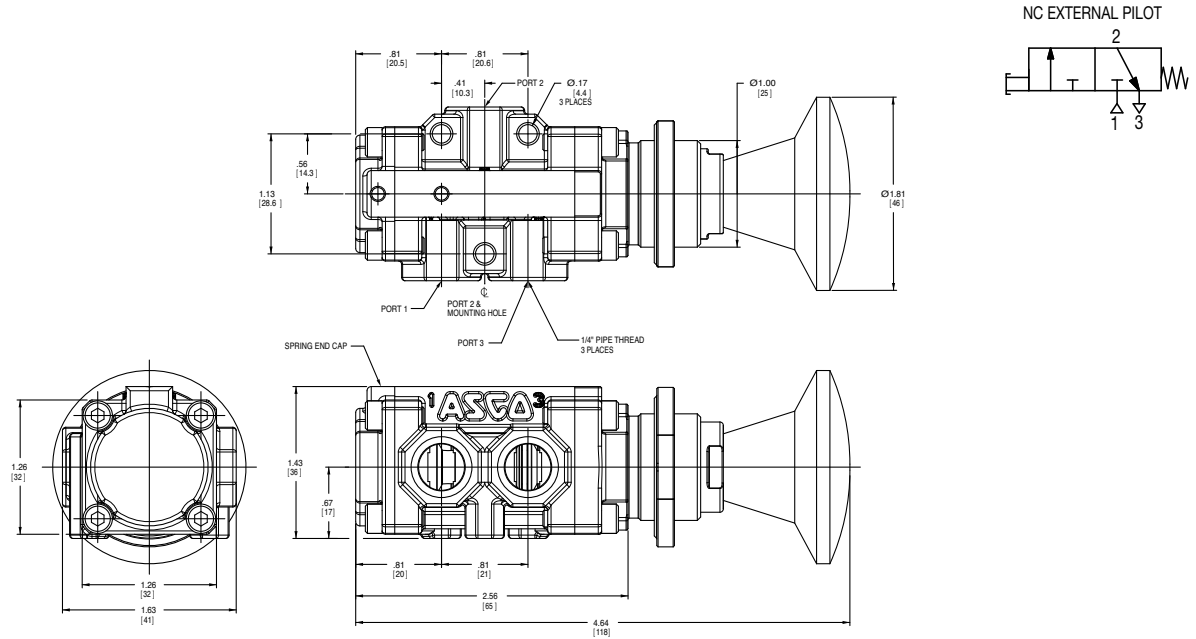


Note: For Normally Open constructions the operator and return end cap are switched with respect to ports 1 & 3.

SPECIAL SERVICE
PILOT

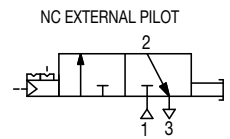
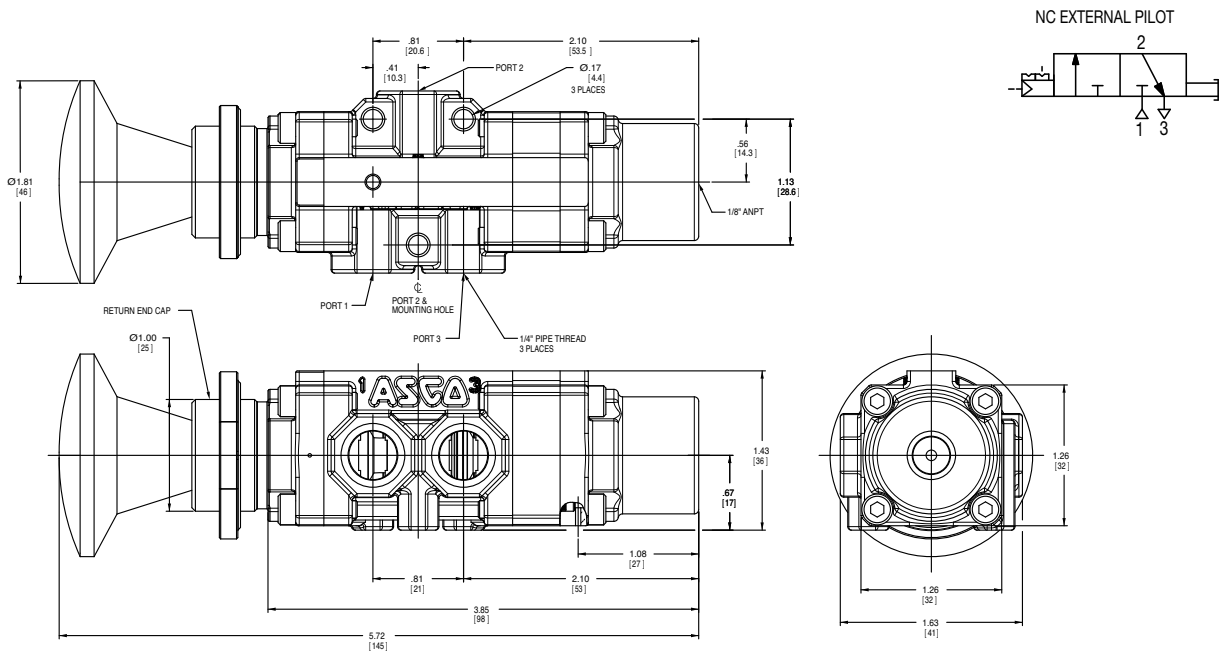
Dimensions: inches (mm)

Const. Ref. 5



Note: For Normally Open constructions the operator and return end cap are switched with respect to ports 1 & 3.

Const. Ref. 6

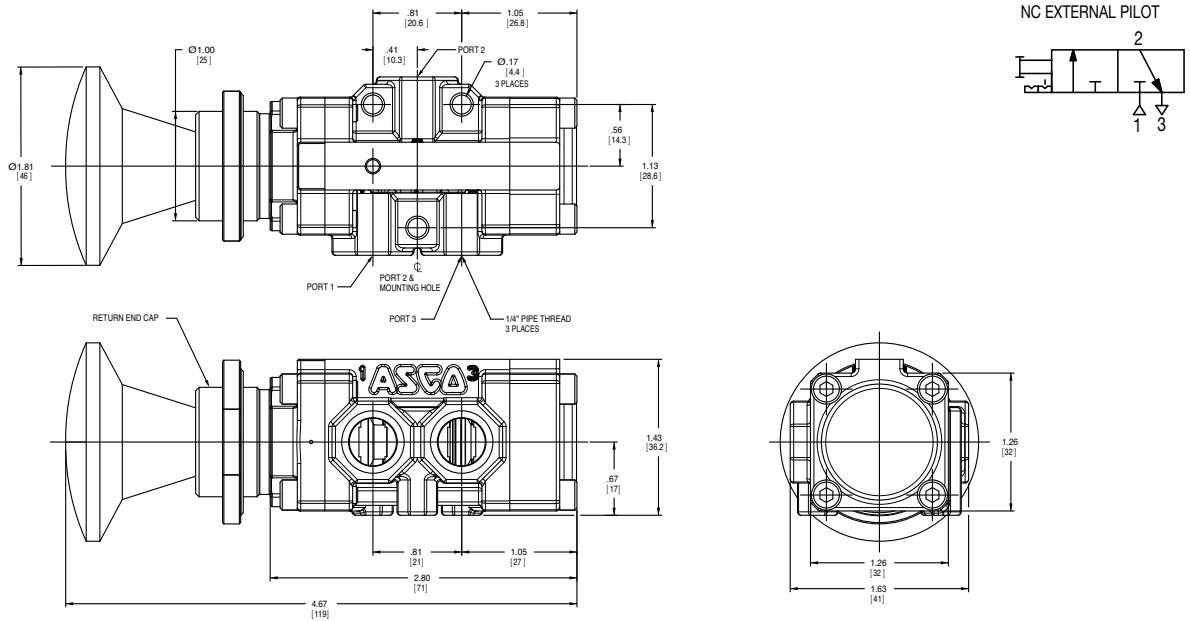


Note: For Normally Open constructions the operator and return end cap are switched with respect to ports 1 & 3.

SPECIAL SERVICE
PILOT

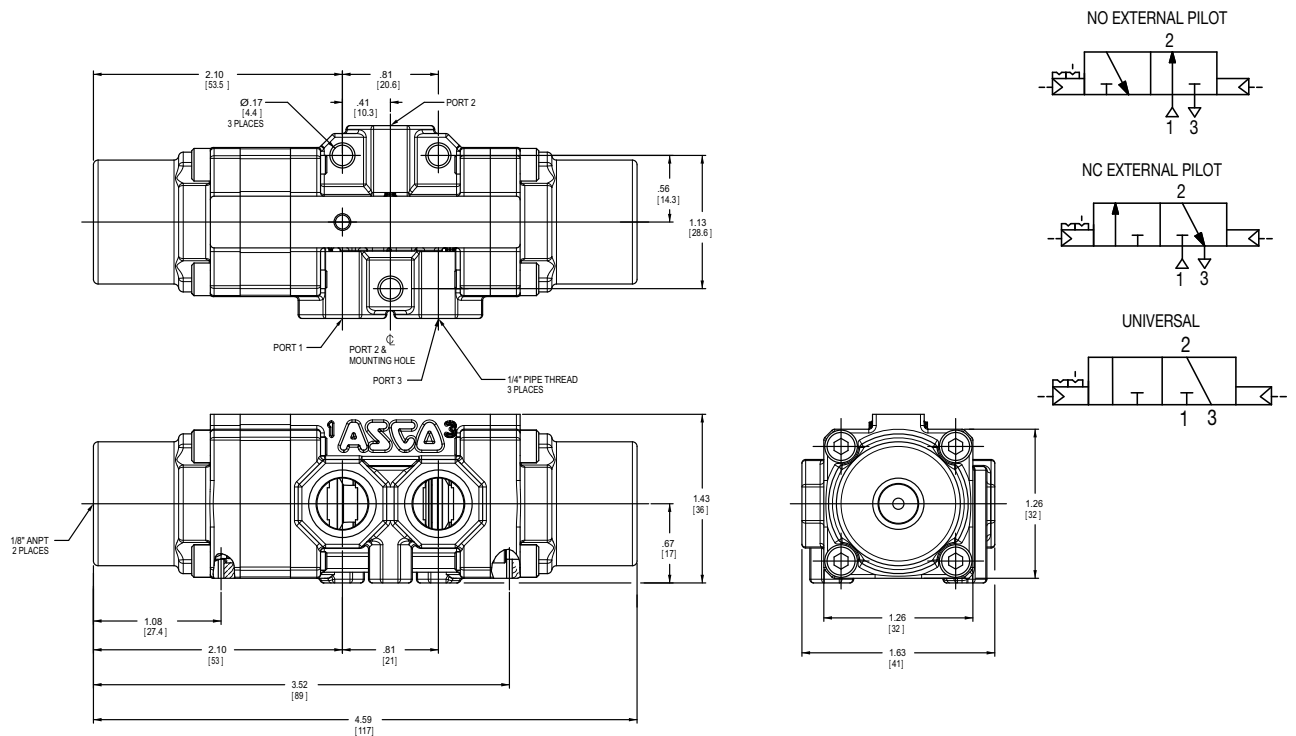
Dimensions: inches (mm)

Const. Ref. 7



Note: For Normally Open constructions the operator and return end cap are switched with respect to ports 1 & 3.

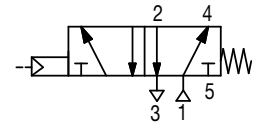
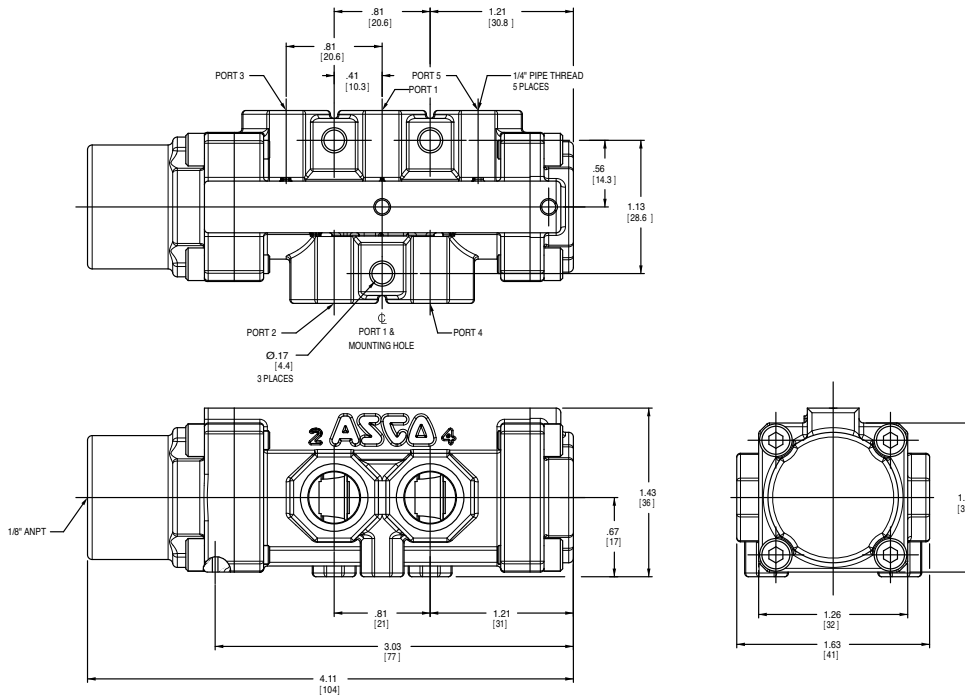
Const. Ref. 8



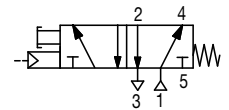
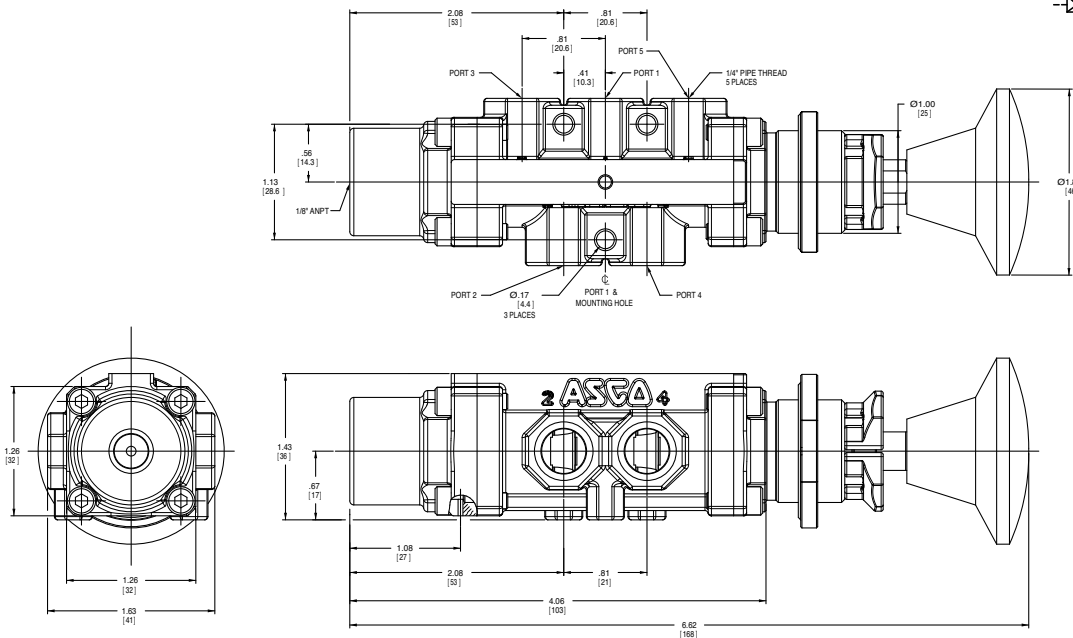
SPECIAL SERVICE
PILOT

Dimensions: inches (mm)

Const. Ref. 9



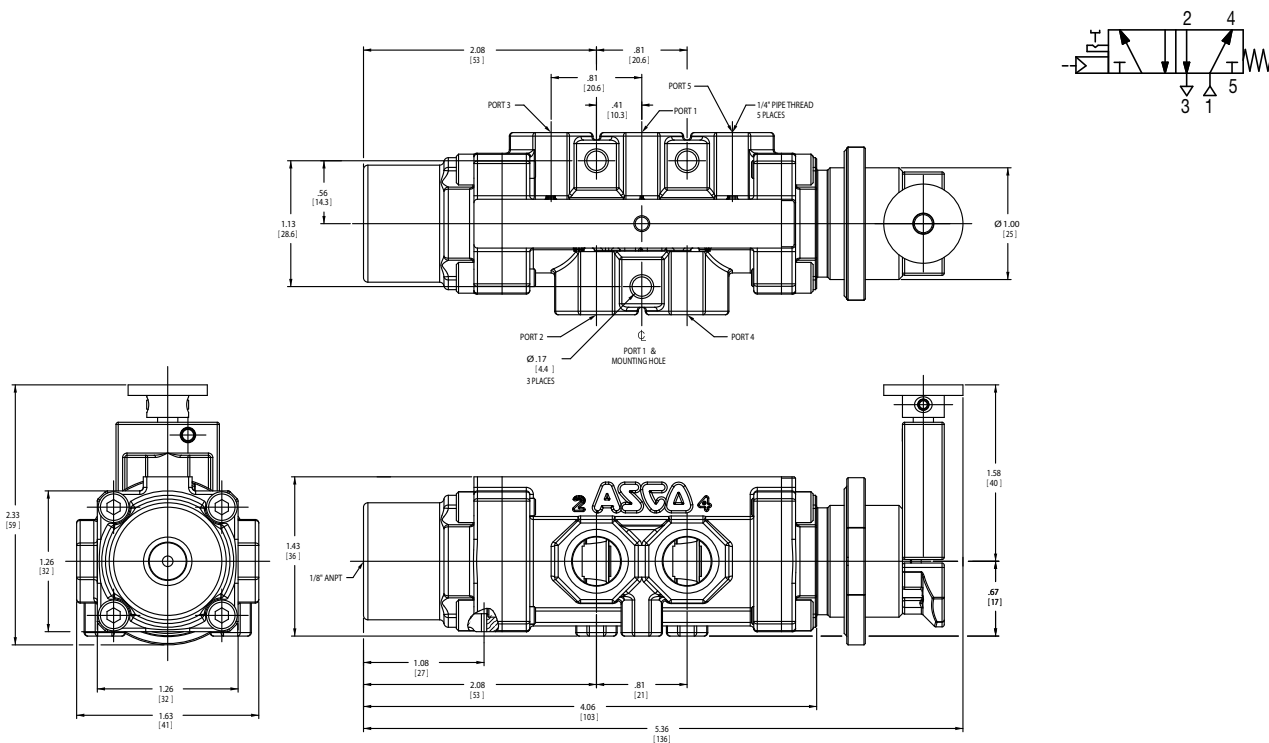
Const. Ref. 10



SPECIAL SERVICE
PILOT

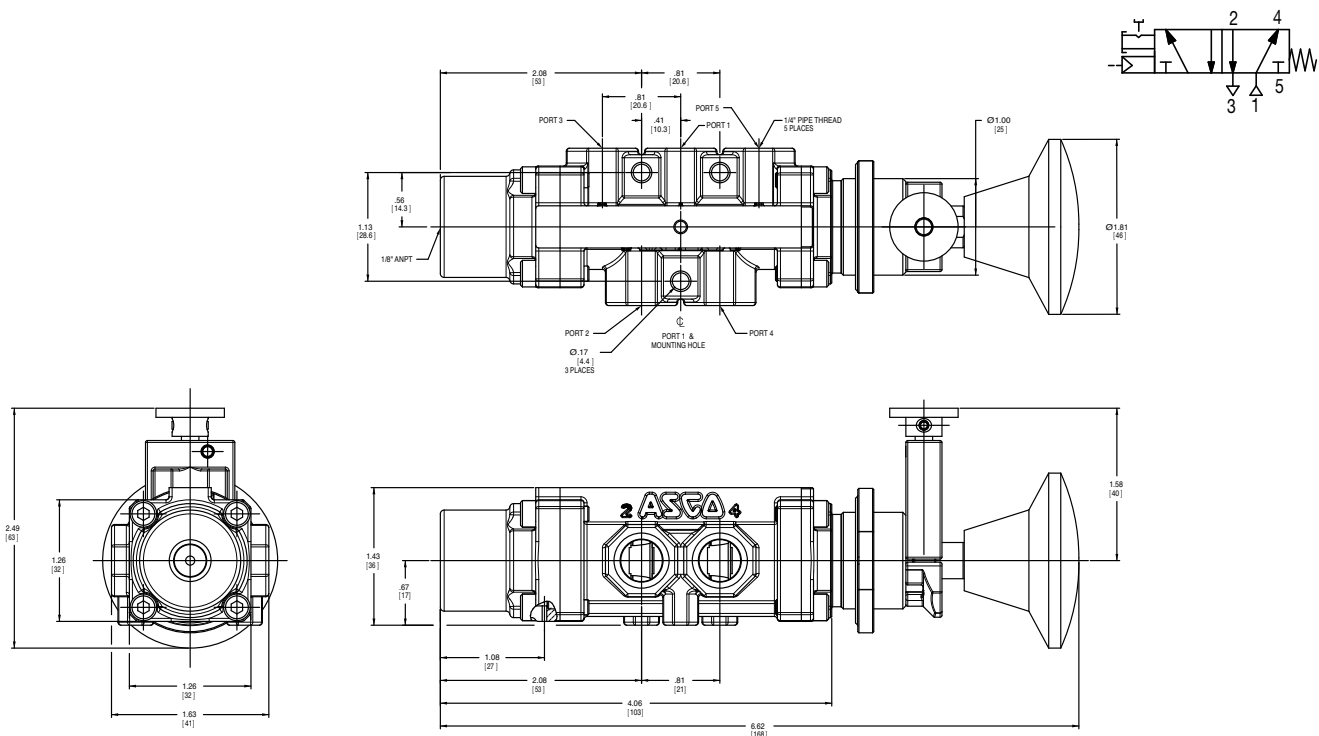
Dimensions: inches (mm)

Const. Ref. 11



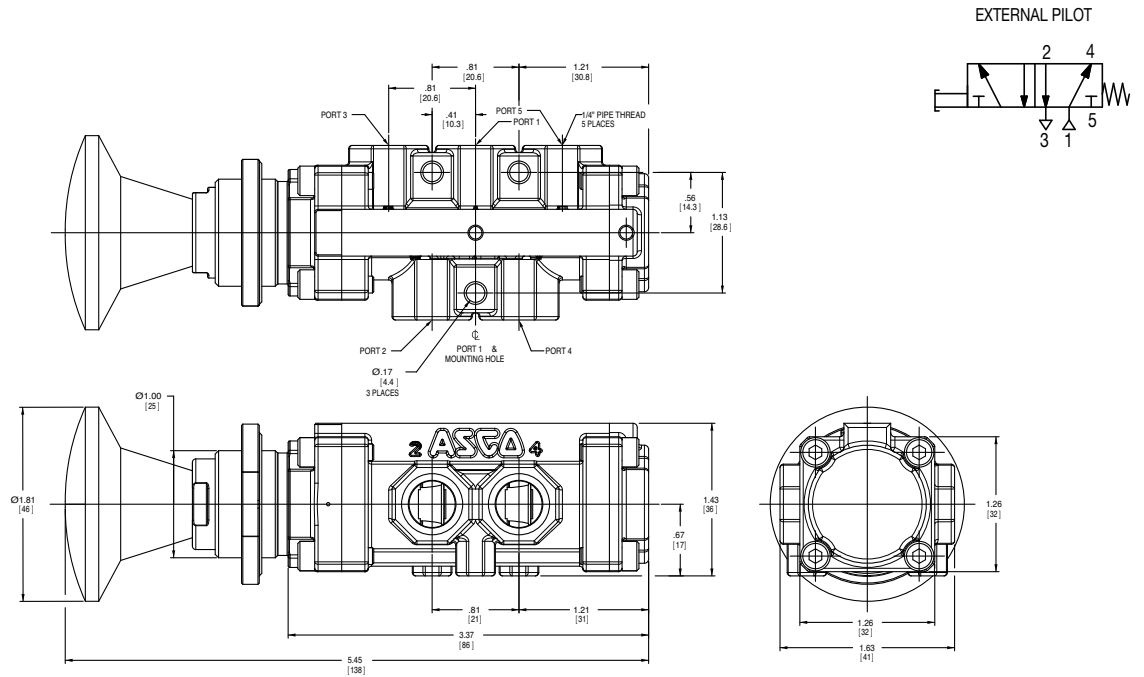
SPECIAL SERVICE
PILOT

Const. Ref. 12

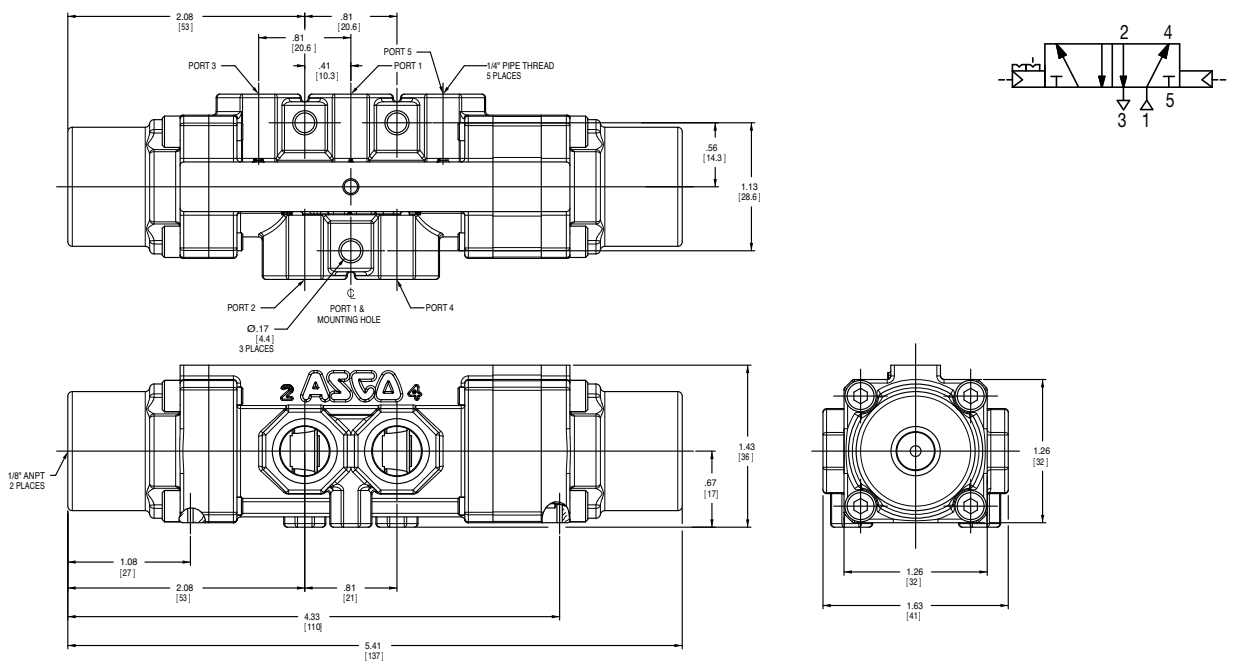


Dimensions: inches (mm)

Const. Ref. 13



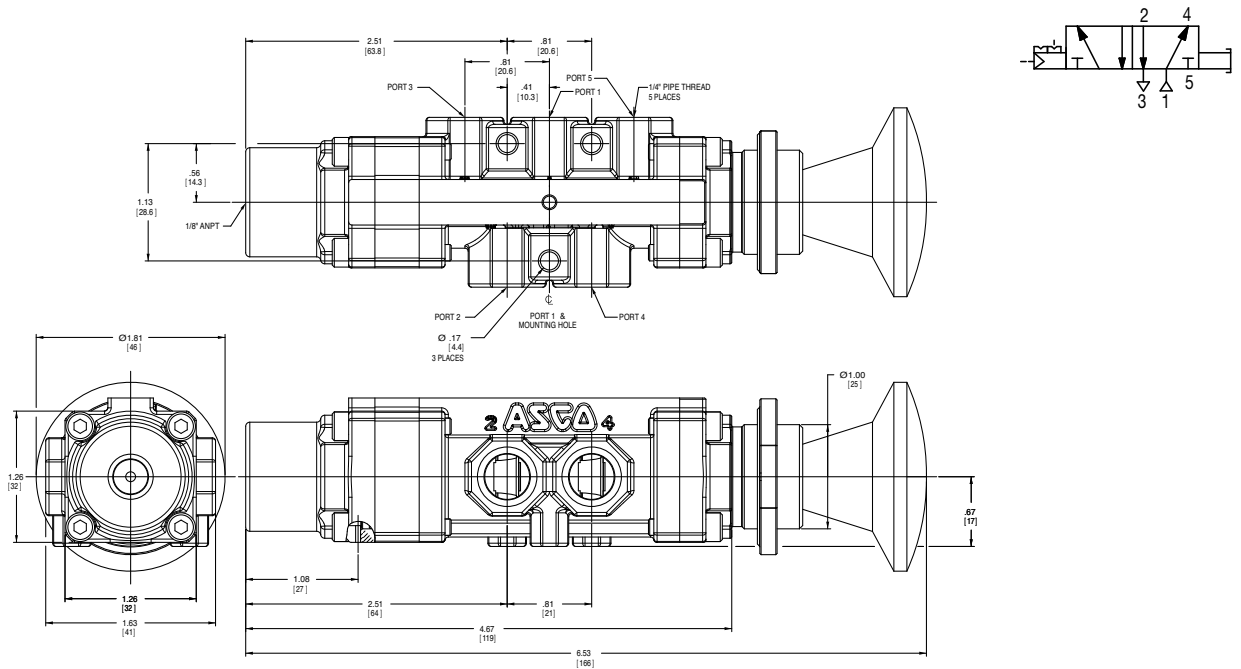
Const. Ref. 14



SPECIAL SERVICE
PILOT

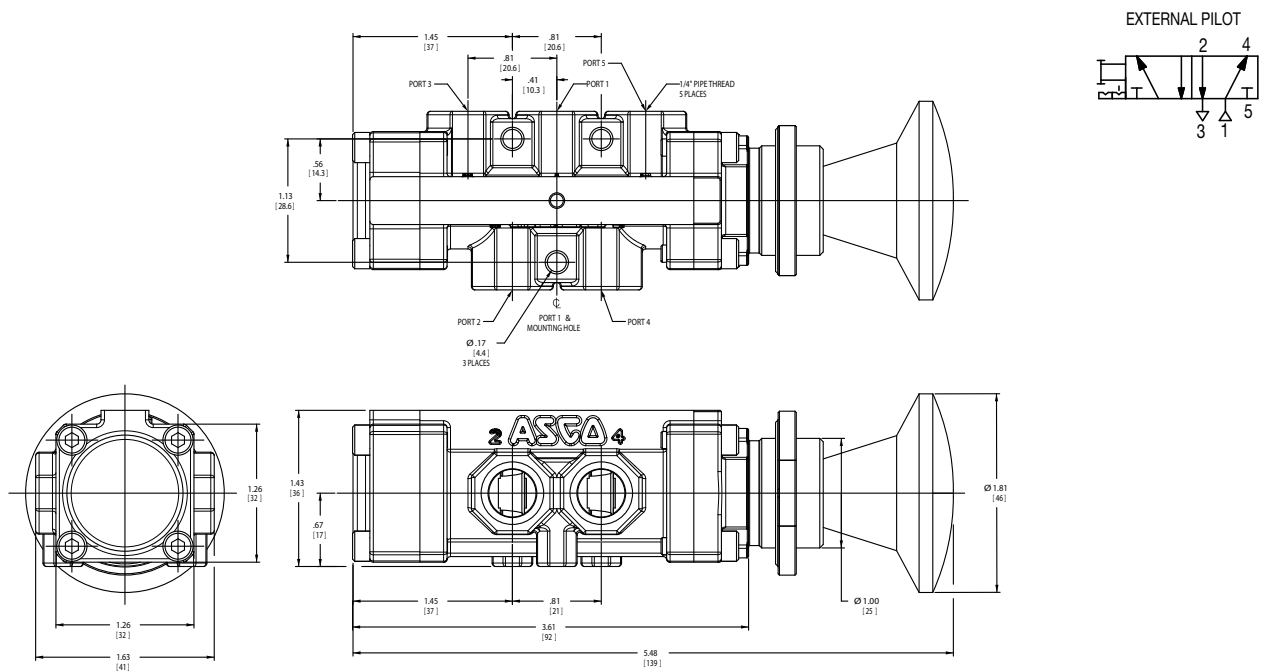
Dimensions: inches (mm)

Const. Ref. 15



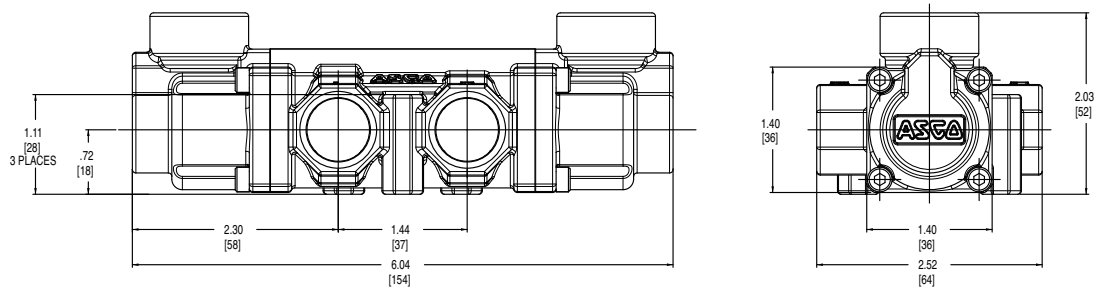
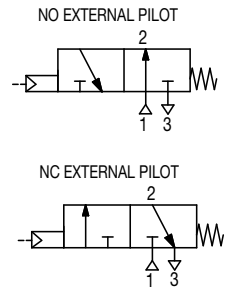
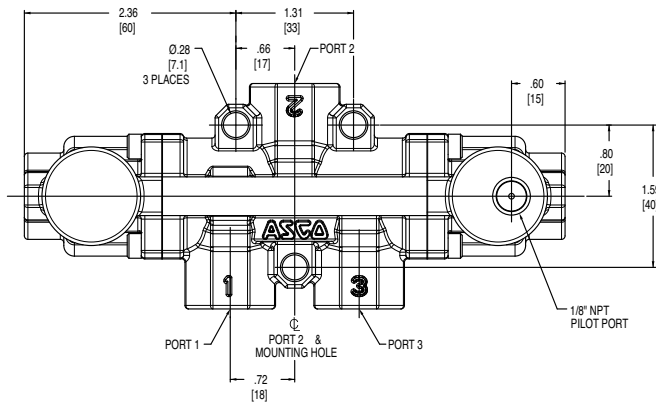
SPECIAL SERVICE
PILOT

Const. Ref. 16

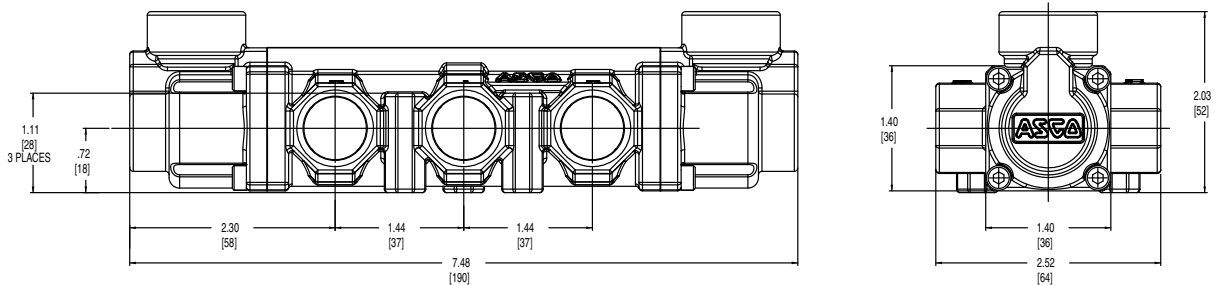
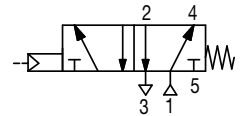
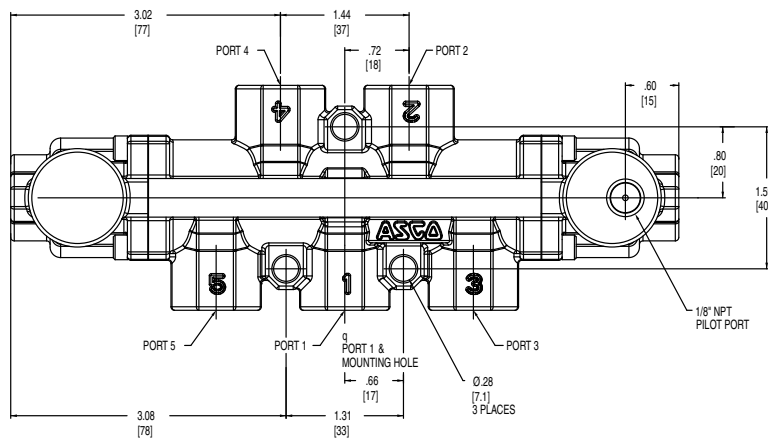


Dimensions: inches (mm)

Const. Ref. 17



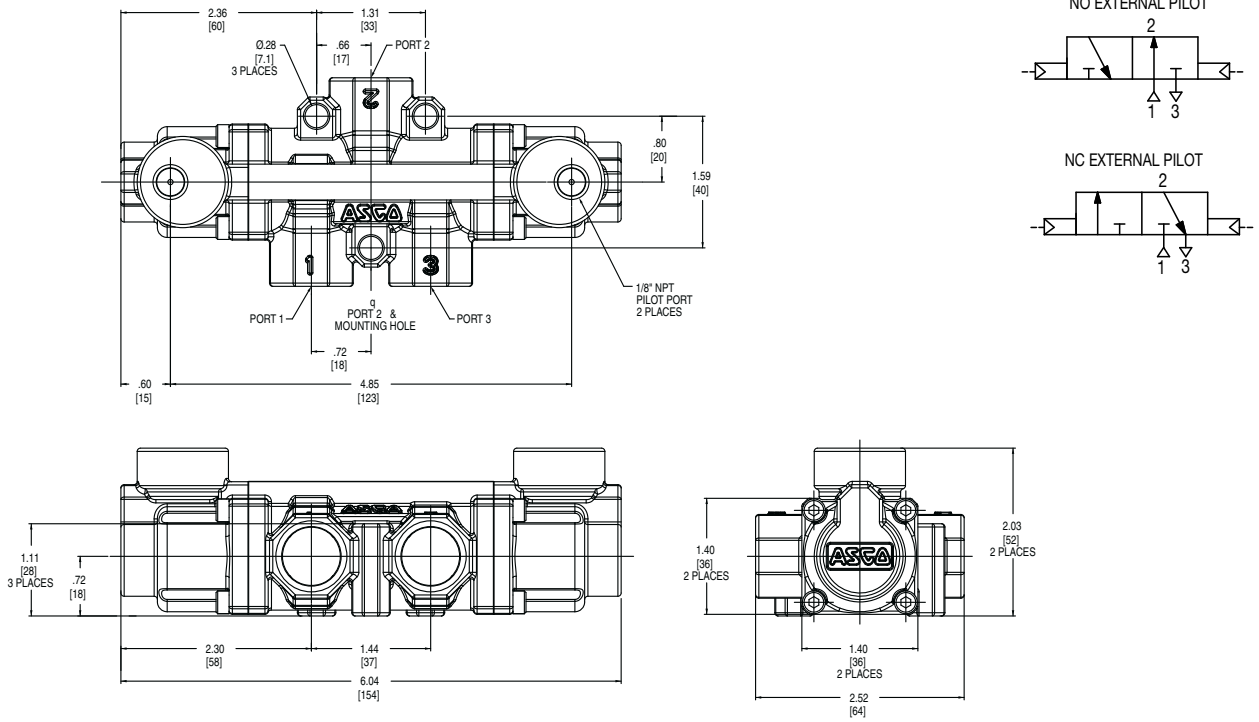
Const. Ref. 18



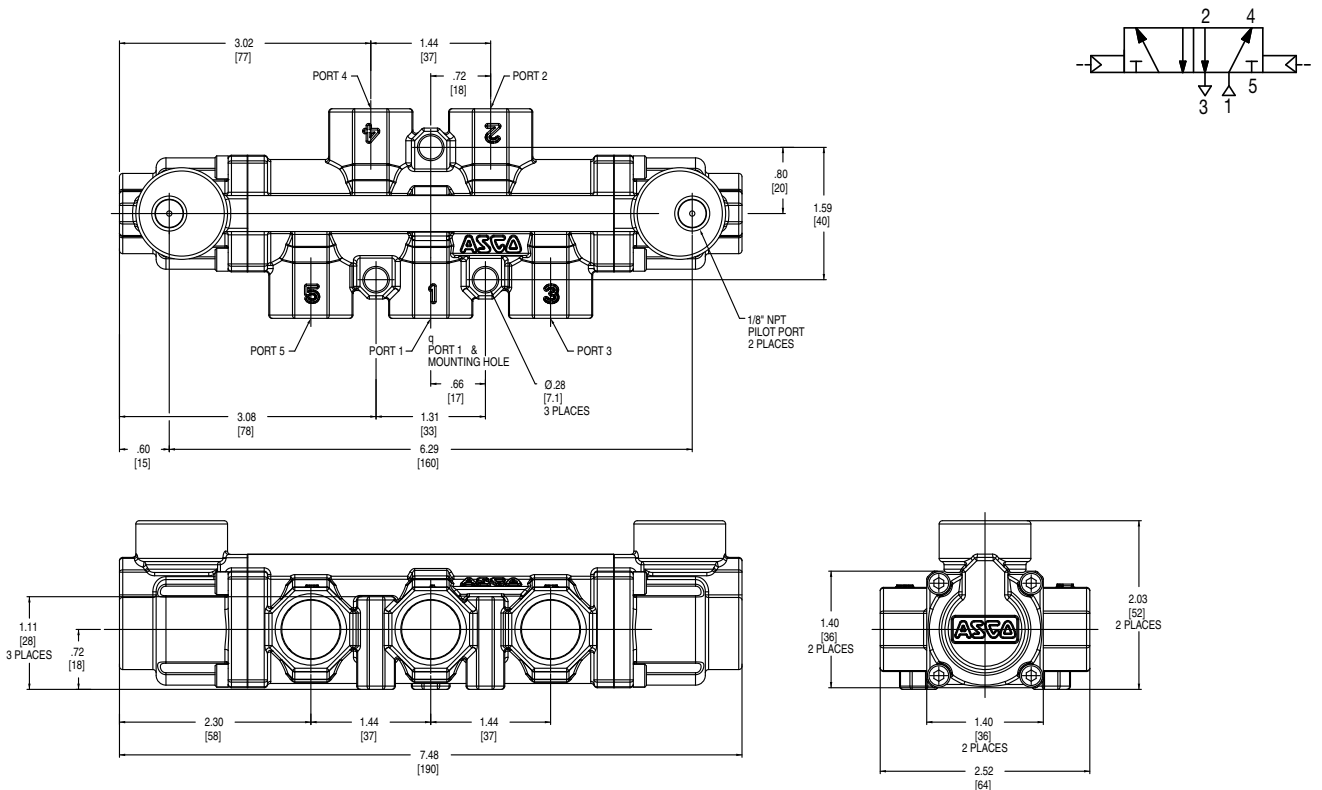
SPECIAL SERVICE
PILOT

Dimensions: inches (mm)

Const. Ref. 19



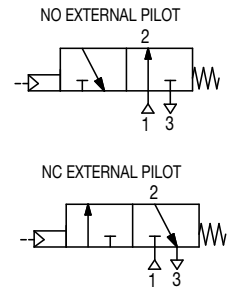
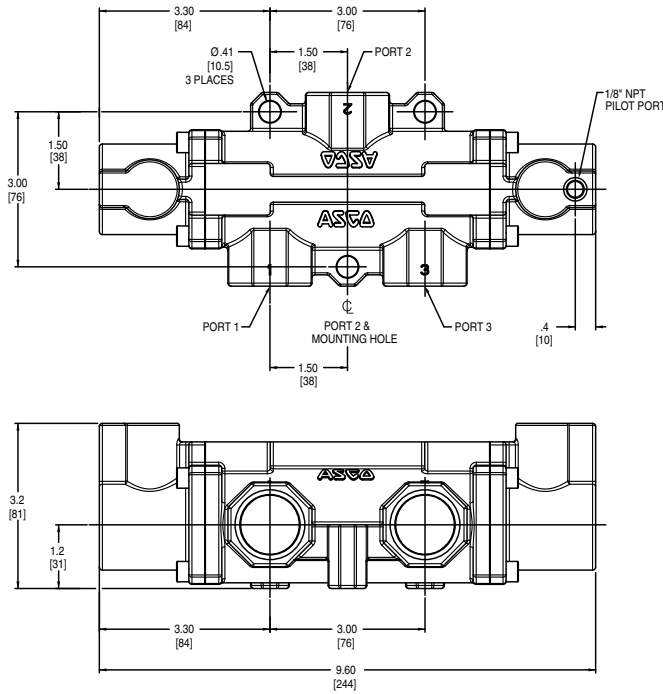
Const. Ref. 20



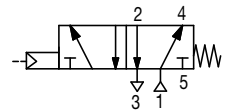
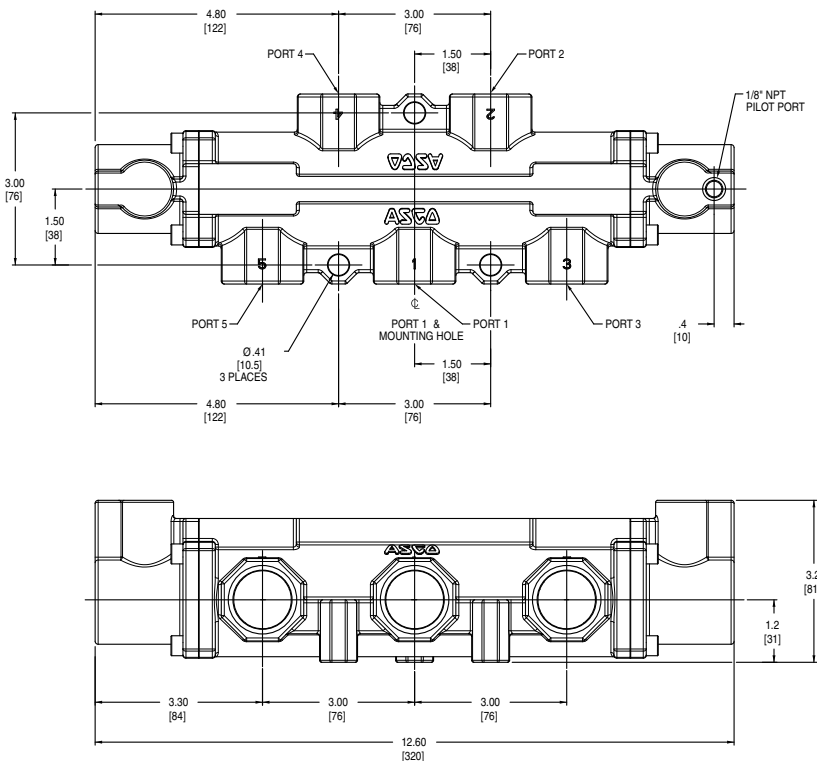
SPECIAL SERVICE
PILOT

Dimensions: inches (mm)

Const. Ref. 21



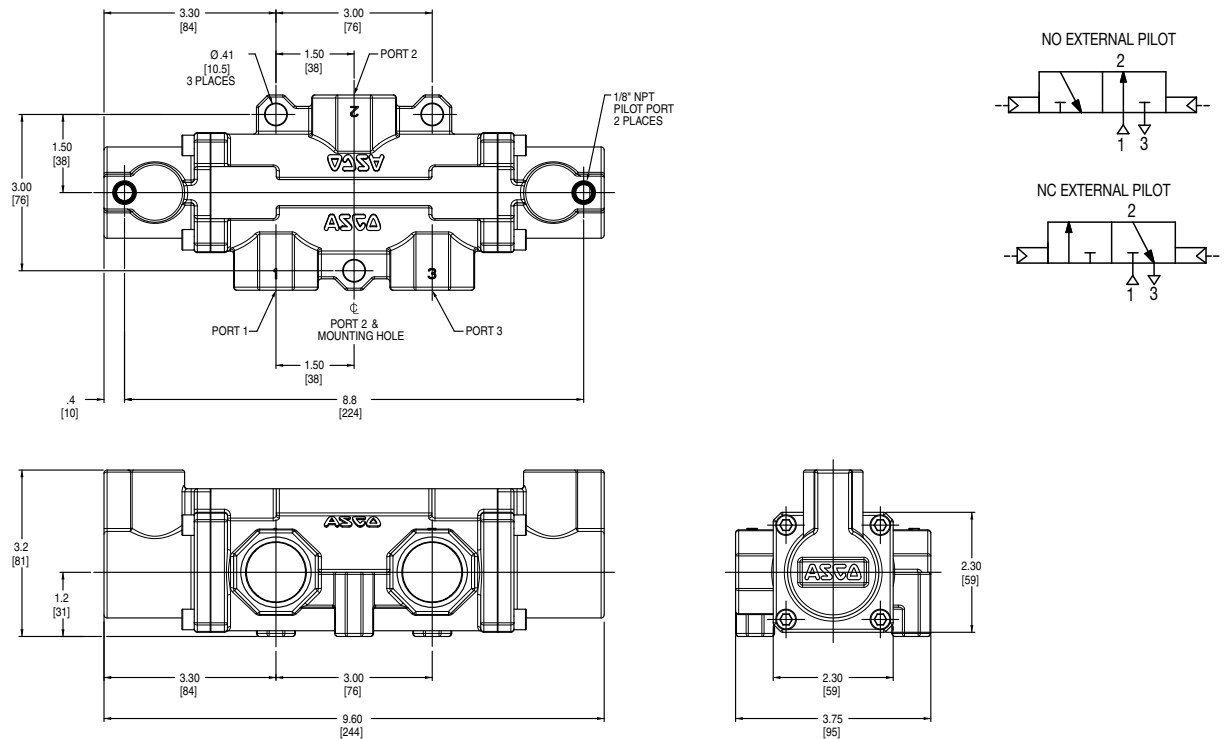
Const. Ref. 22



SPECIAL SERVICE
PILOT

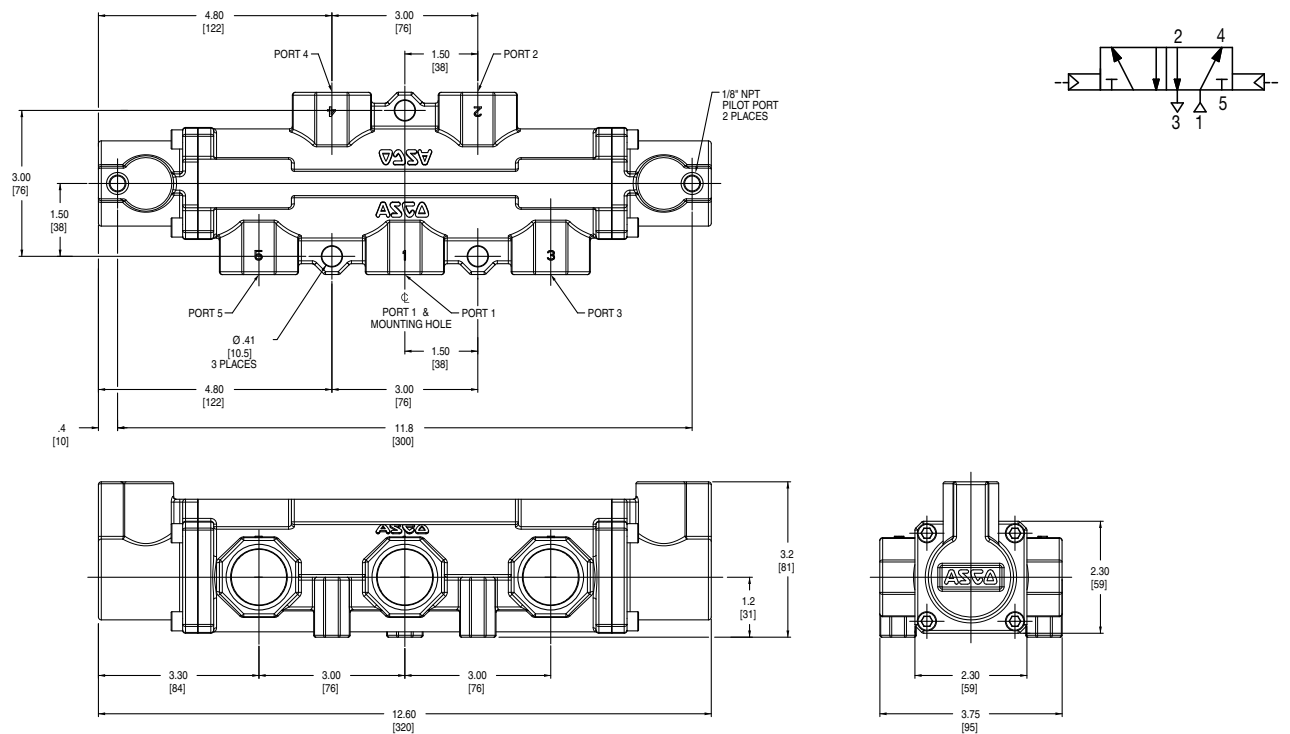
Dimensions: inches (mm)

Const. Ref. 23



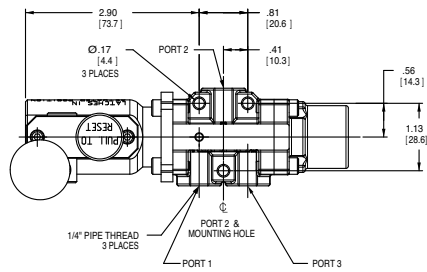
SPECIAL SERVICE
PILOT

Const. Ref. 24

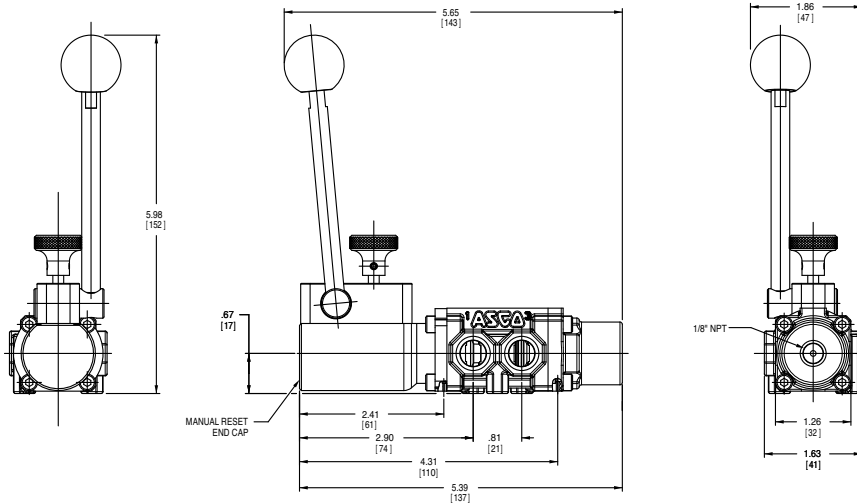


Dimensions: inches (mm)

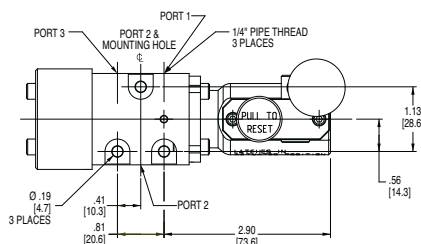
Const. Ref. 25



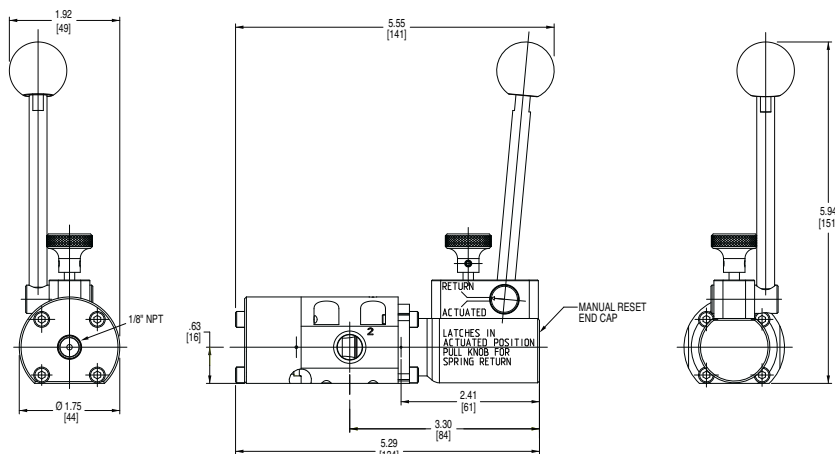
47 TYPE LATCH	67 TYPE LATCH	87 TYPE LATCH
MANUAL LEVER RETURN LATCHES IN ENERGIZED POSITION	SPRING RETURN LATCHES IN ENERGIZED POSITION	SPRING RETURN LATCHES IN DE-ENERGIZED POSITION
PILOT OPERATED NORMALLY OPEN MANUAL RESET	PILOT OPERATED NORMALLY OPEN MANUAL RESET	PILOT OPERATED NORMALLY OPEN MANUAL RESET
PILOT OPERATED NORMALLY CLOSED MANUAL RESET	PILOT OPERATED NORMALLY CLOSED MANUAL RESET	PILOT OPERATED NORMALLY CLOSED MANUAL RESET



Const. Ref. 26



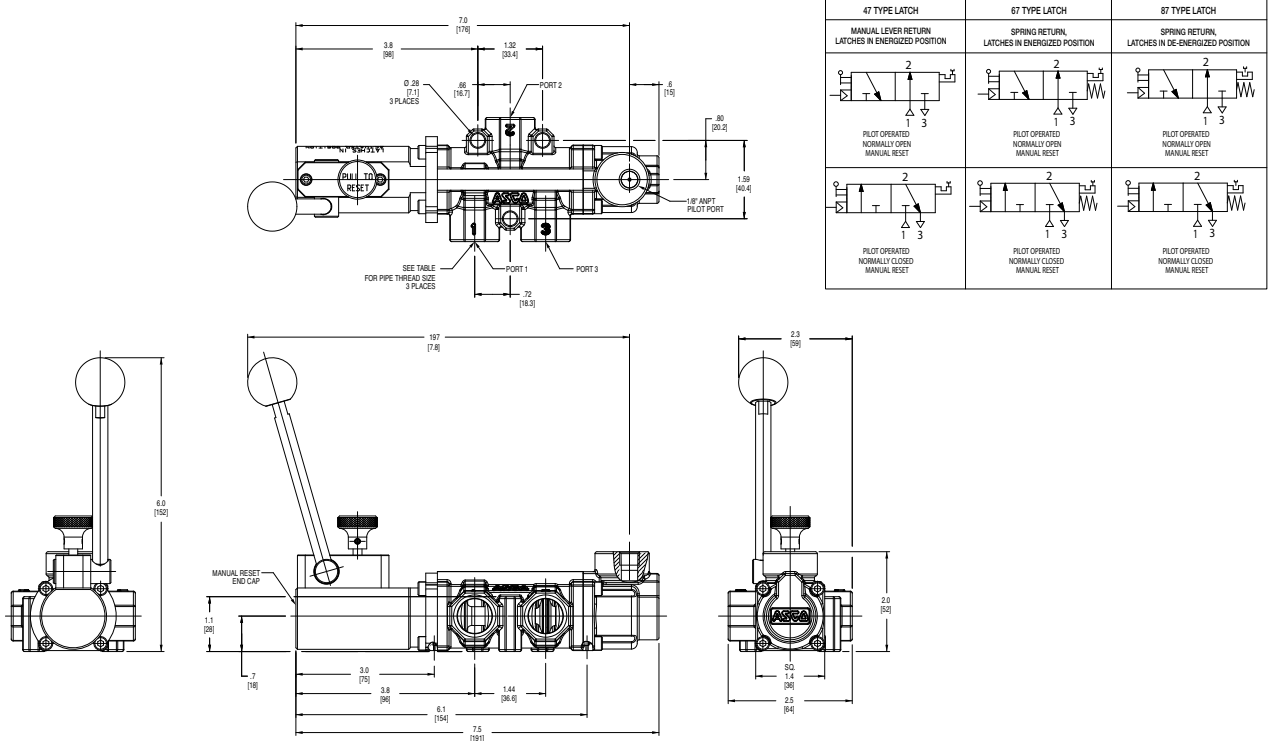
47 TYPE LATCH	67 TYPE LATCH	87 TYPE LATCH
MANUAL LEVER RETURN LATCHES IN ENERGIZED POSITION	SPRING RETURN LATCHES IN ENERGIZED POSITION	SPRING RETURN LATCHES IN DE-ENERGIZED POSITION
PILOT OPERATED NORMALLY OPEN MANUAL RESET	PILOT OPERATED NORMALLY OPEN MANUAL RESET	PILOT OPERATED NORMALLY OPEN MANUAL RESET
PILOT OPERATED NORMALLY CLOSED MANUAL RESET	PILOT OPERATED NORMALLY CLOSED MANUAL RESET	PILOT OPERATED NORMALLY CLOSED MANUAL RESET



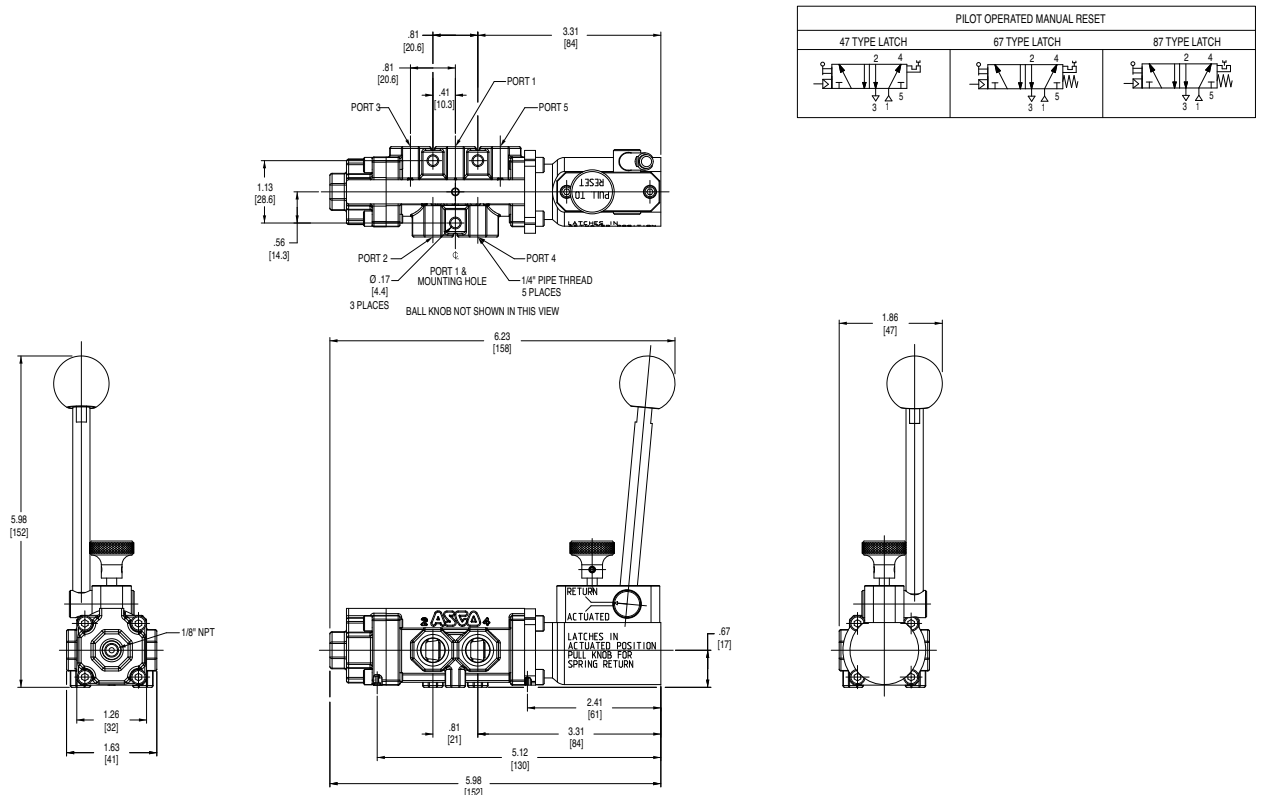
SPECIAL SERVICE
PILOT

Dimensions: inches (mm)

Const. Ref. 27



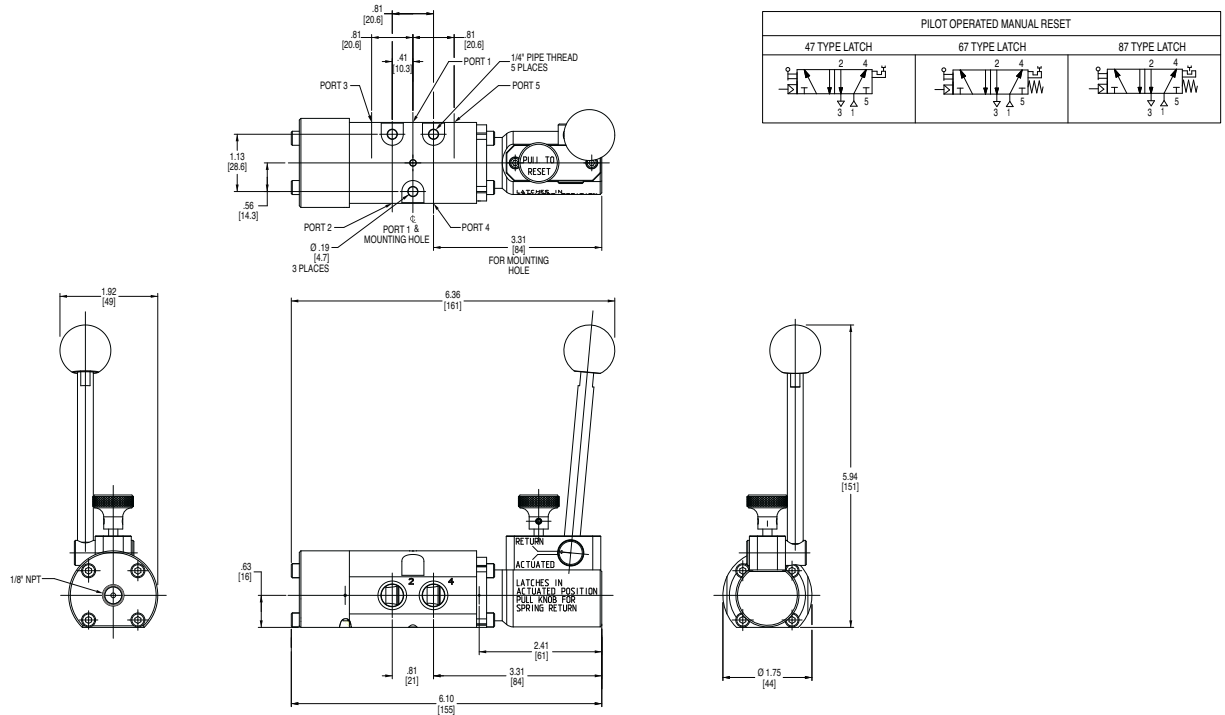
Const. Ref. 28



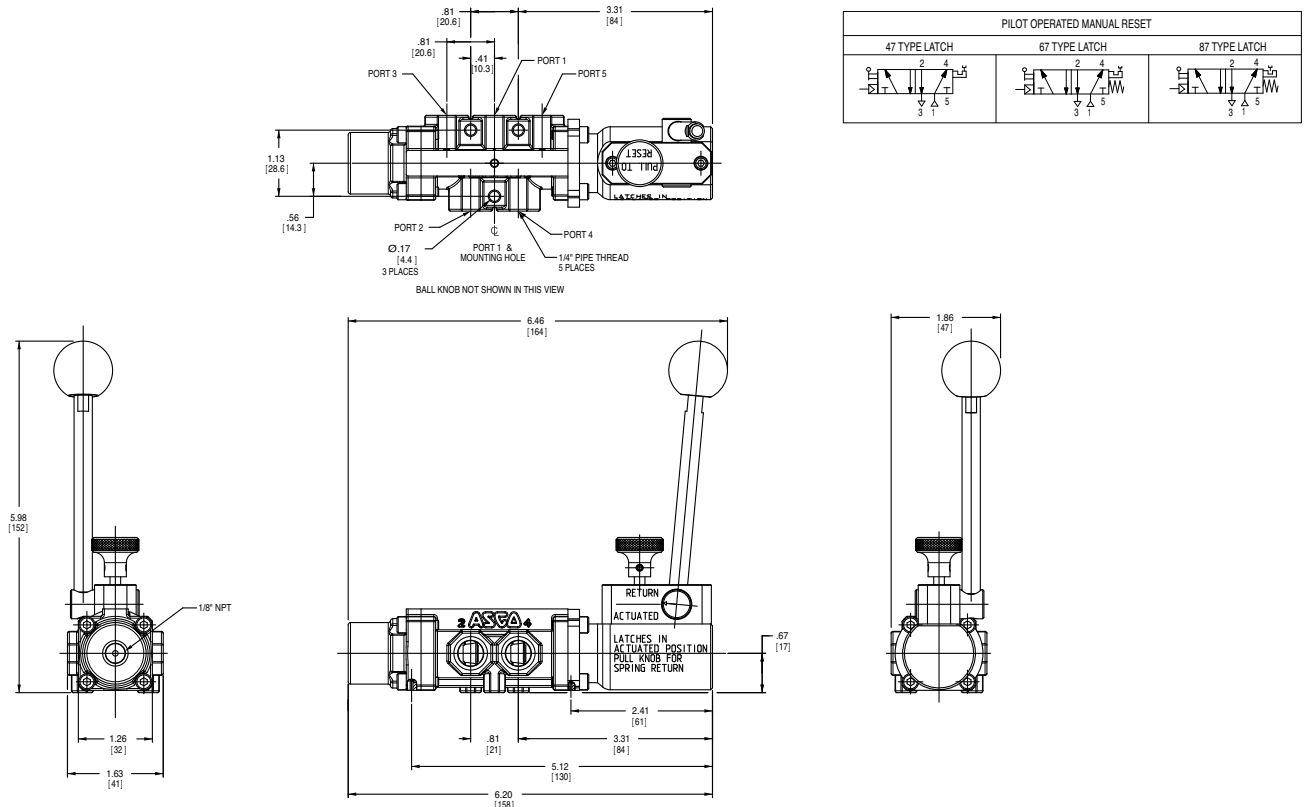
SPECIAL SERVICE
PILOT

Dimensions: inches (mm)

Const. Ref. 29



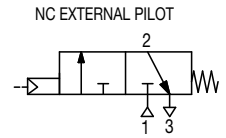
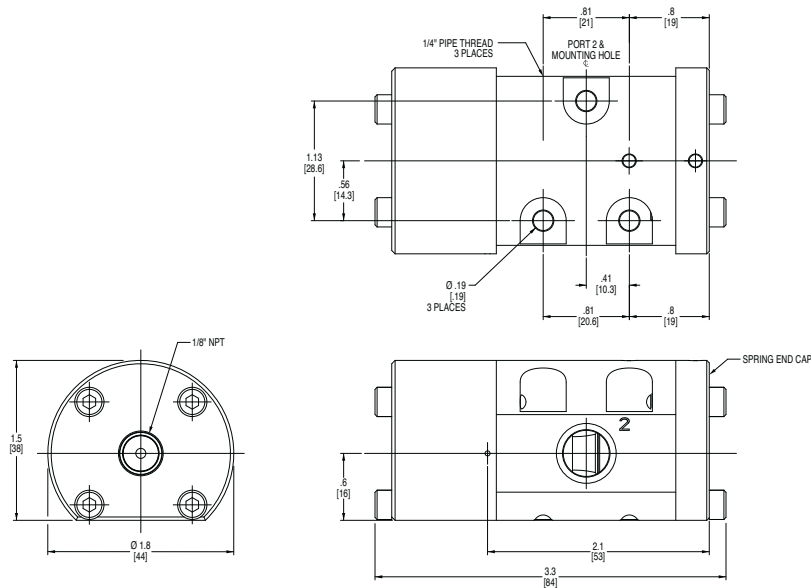
Const. Ref. 30



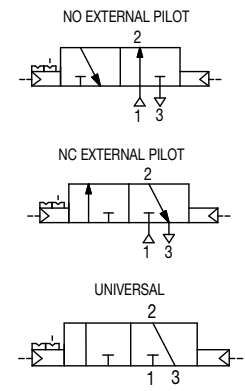
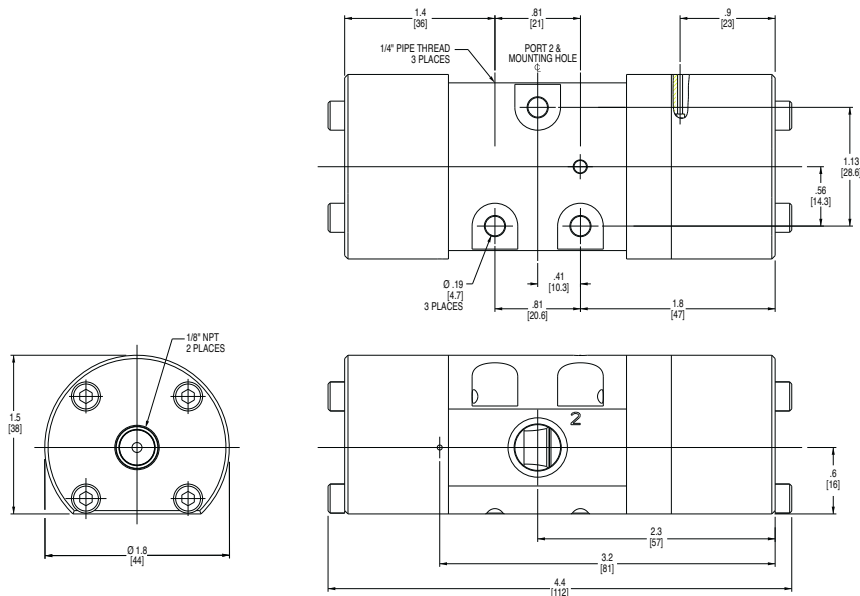
SPECIAL SERVICE
PILOT

Dimensions: inches (mm)

Const. Ref. 31



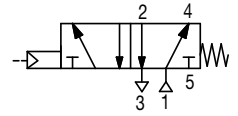
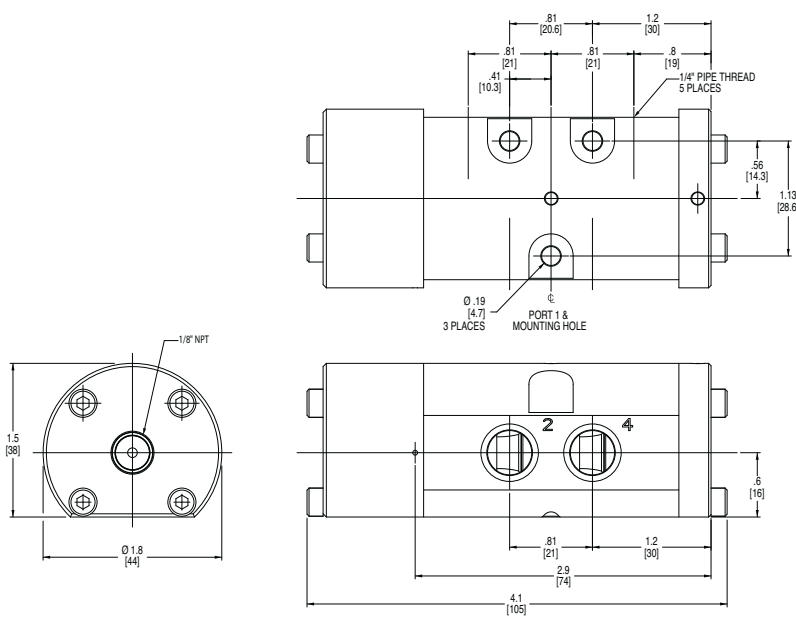
Const. Ref. 32



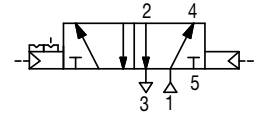
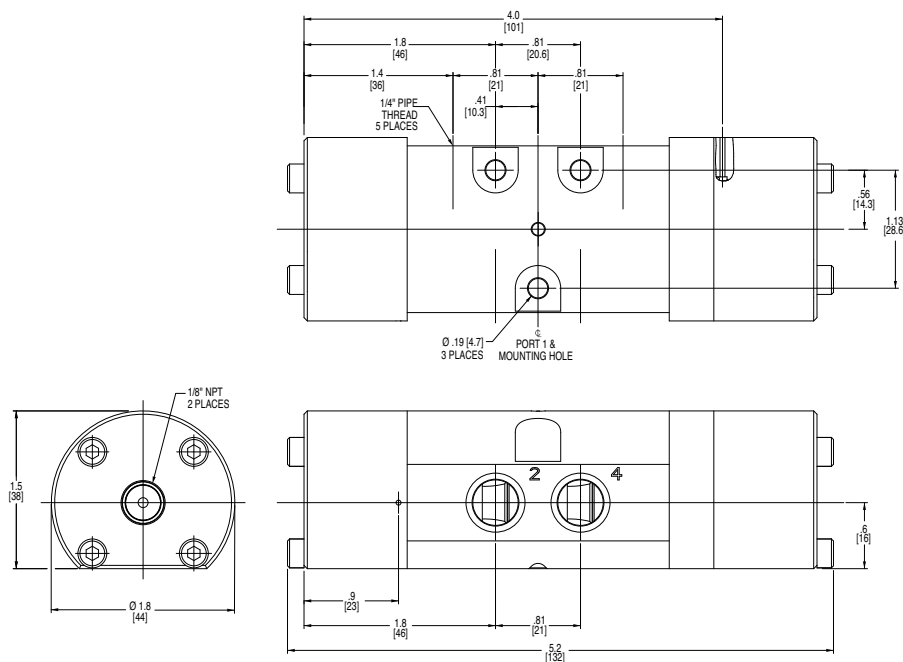
SPECIAL SERVICE
PILOT

Dimensions: inches (mm)

Const. Ref. 33



Const. Ref. 34



SPECIAL SERVICE
PILOT