



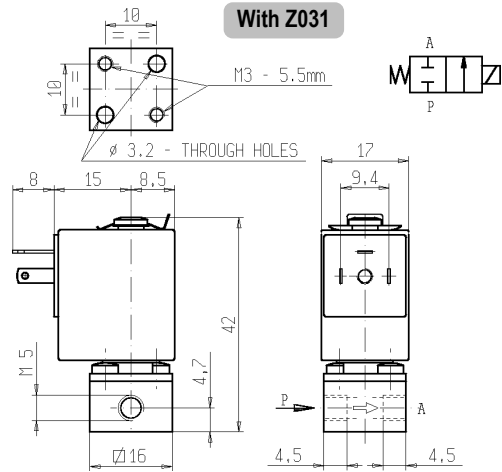
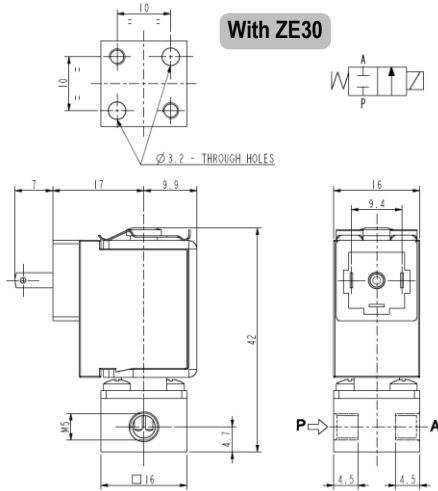
MICRO SOLENOID VALVE

2/2 - NC (Normally closed)

Direct acting

M5

V165



► GENERAL FEATURES

Direct acting micro solenoid valve; minimum overall dimensions.
 Quick response time and high number of cycles.
 Suitable to shut off liquid and gaseous fluids (verify the compatibility of fluid with materials in contact).

► TECHNICAL FEATURES

Maximum allowable pressure (PS) 16 bar
Opening time from ~ 5ms to ~ 10ms
Closing time from ~ 5ms to ~ 10ms
Fluid temperature 0°C +130°C (FPM)
 0°C +140°C (FFPM)
 -10°C +90°C (HNBR)
Max viscosity 3°E (~22 cStokes or mm²/s)

► COIL

Continuous duty
Encapsulation material PA (Polyamide) fiberglass reinforced
Coil insulation class F (155°C)
Ambient temperature -10°C +60°C
Electric connections DIN 46340
Protection degree IP65 (EN 60529) with plug micro-connector
Voltages DC: 12-24V (+10% - 5%)
 AC: 24V/50Hz (+10% -15%)

	ZE30	Z031
ED	100%	
Encapsulation material	PA (Polyamide) fiberglass reinforced	
Coil insulation class	F (155°C)	
Ambient temperature	-10°C +60°C	
Electric connections	DIN 46340	DIN 46340 – 3 micro-poles connectors
Protection degree	IP65 (EN 60529) with plug micro-connector	
Voltages	DC: 12-24V (+10% - 5%)	AC: 24V/50Hz (+10% -15%)

(Other voltages and frequencies on request. - AC: max 24V)

► MATERIALS IN CONTACT WITH FLUID

Body Brass (see notes)
Sealing FPM or FFPM or HNBR
Internal components Stainless steel
Seat Brass
Guide assembly Stainless steel
Shading ring (only for V165V02) Copper

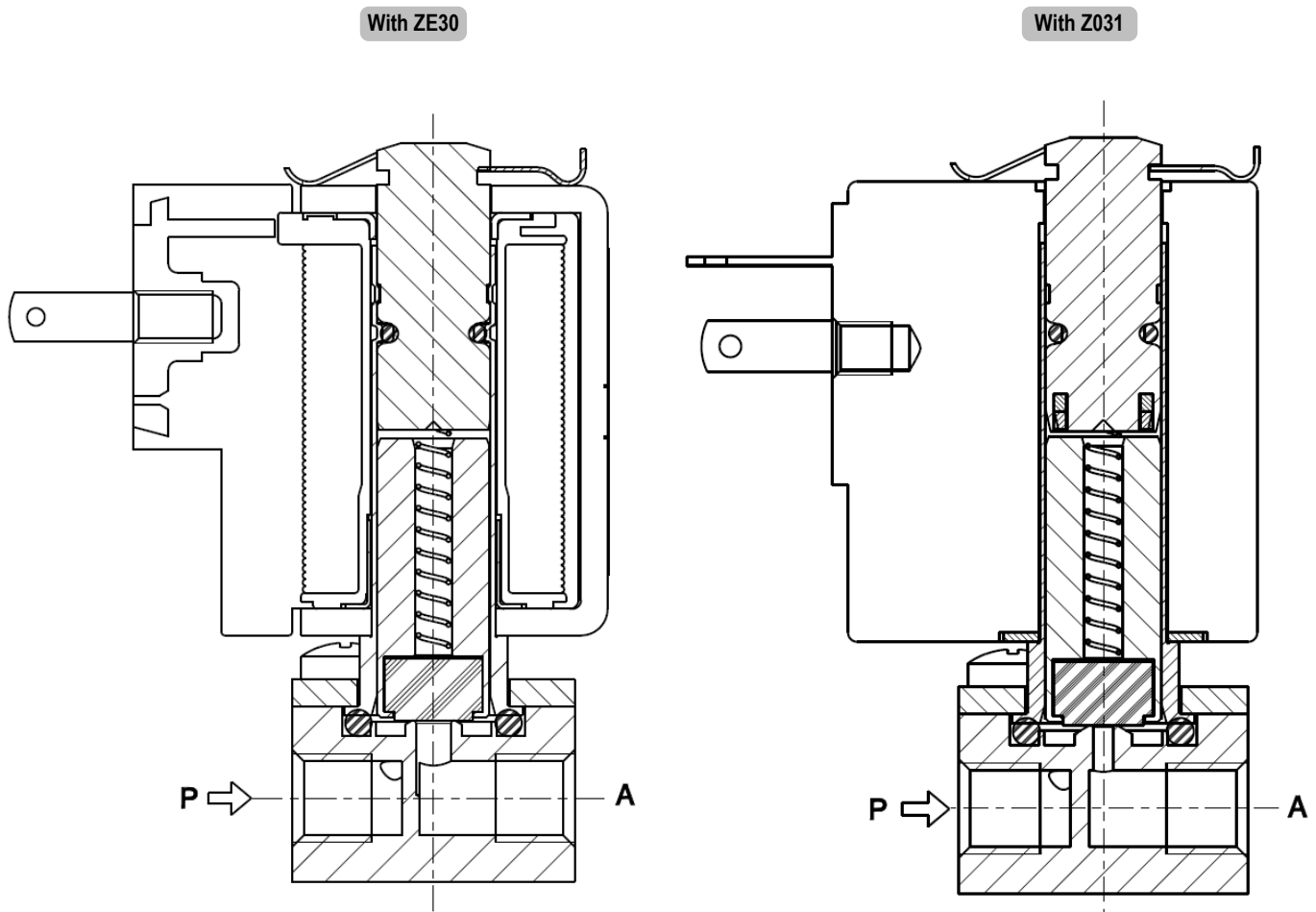
Port size ISO-UNI 4534	Orifice size (mm)	Differential pressure (bar)	Differential pressure (bar)				Kv (m³/h)	Series and type		Power absorption			Sealings	Notes	Weight (kg)
			Δp max					Valve	Coil	AC (VA)		DC (W)			
			AC	DC	AC	DC				Inrush	Holding				
M5	1,1	0	-	0,5	-	0,5	V165V03	ZE30L	-	-	0,5	FPM	-	-	
			14	10	14	10		V165V02	Z031C / ZE30C	4					3
			-	14	-	14		V165V04	ZE30C	-					-
			-	14	-	14		V165V01	ZE30A	-					-
			8	4	8	4		V165N01	ZE30A	-					-
	2		5	1,5	5	1,5	V165V02	Z031A / ZE30A	6	5	2,5	HNBR	2	-	
			-	4	-	4	V165V02	Z031C / ZE30C	4	3					
			-	4	-	4	V165V01	ZE30C	-	-					
			-	4	-	4	V165V01	ZE30C	-	-					
			-	4	-	4	V165Z08	ZE30A	-	-					

► NOTES

- These micro-solenoid valves are not suitable for stagnating media subject to vaporization which deposit solid, calcareous, incrusting residues or similar.
 - Seal: FPM = Fluoro-carbon elastomer FFPM = Perfluorate elastomer HNBR = Hydrogenated nitrile-butylene elastomer
 1 - Solenoid valves with body and bonnet in chemically nickel plated brass (Ni-P).
 2 - Particularly suitable to shut off refrigerating fluids (version available on request)

V165

► SPARE PARTS



► MOUNTING

Solenoid valve can be mounted in any position; vertical with coil upwards preferred.

THE VALIDITY OF REPORTED DATA IS REFERRED TO THE DATE OF ISSUE. POSSIBLE UPDATES ARE AVAILABLE ON REQUEST.