

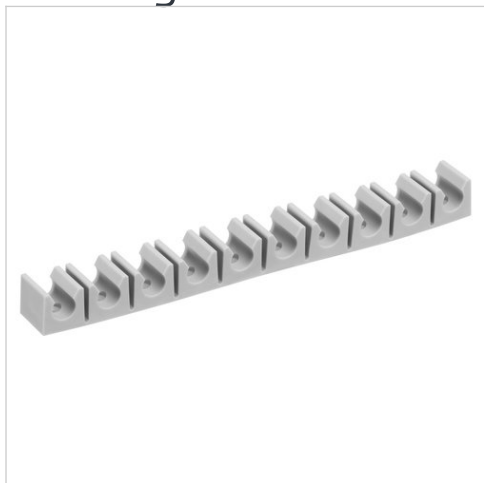
Accessories series TU



AVENTICS™ Accessories series TU



Terminal strip for compressed air tubing



Technical data

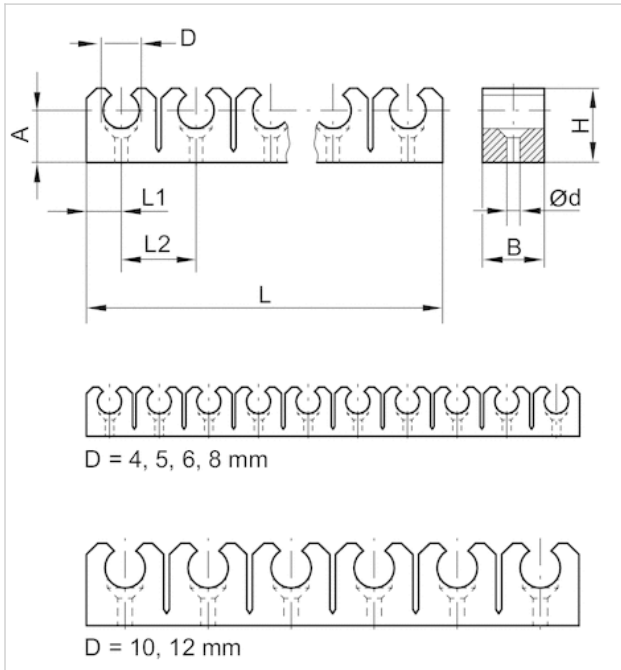
Part No.	Type	Delivery unit
1824431005	Ø 4	10 piece
1824431006	Ø 6	10 piece
1824431007	Ø 8	10 piece
1824431008	Ø 10	10 piece
1824431009	Ø 11,5	10 piece

Technical information

Material	
Material	Polyethylene

Dimensions

Dimensions



Dimensions

Part No.	A	B	D*)	Ø d	H	L	L1	L2	**)
1824431005	6	14	4-5	2.4	9	100	5	10	10
1824431006	5.5	14	6	3	9	110	5.5	11	10
1824431007	7.5	15	8	2.8	12.5	141	6.4	14.2	10
1824431008	9	18	10	2.8	14.7	121	9.8	20	6
1824431009	10	18	11.5	2.8	16	121	10	20	6

*) For plastic tubing with diameter D

***) Terminals per strip

T-clips for compressed air tubing



Technical data

Part No.	Type	Delivery unit
8186040000	Ø 4-5	50 piece
8186060000	Ø 6-7	50 piece
8186080000	Ø 8-9	50 piece
8186100000	Ø 10-11	25 piece
8186120000	Ø 12-14	25 piece
8186160000	Ø 15-17	25 piece
8186180000	Ø 18-21	25 piece

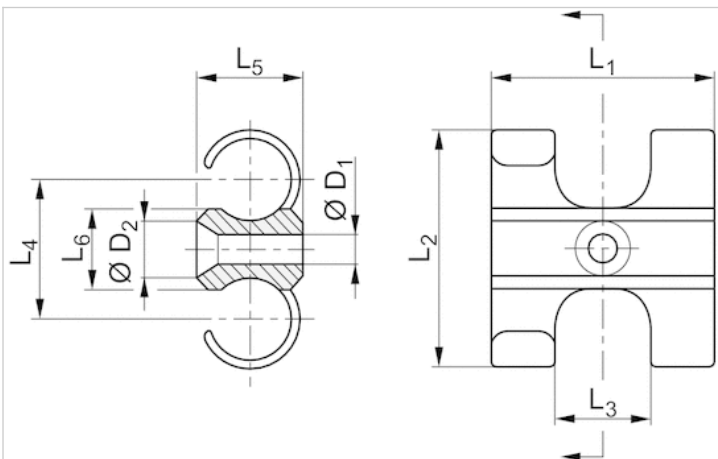
Technical information

Material

Material	Polyoxymethylene
----------	------------------

Dimensions

Dimensions



Dimensions

Part No.	*)	Ø D1	Ø D2	L1	L2	L3	L4	L5	L6
8186040000	4-5 x ...	3	6	18	15	6	10	9	7
8186060000	6-7 x ...	3	6	20	20	8	12	9	8
8186080000	8-9 x ...	4	8	24	25	10	15	12	10
8186100000	10-11 x ...	4	8	28	31	12	18	15	11
8186120000	12-14 x ...	4	9	35	34	14	21	17	12
8186160000	15-17 x ...	5	10	42	43	17	25	20	14
8186180000	18-21 x ...	5	12	49	51	20	31	23	16

*) For compressed air tubing

Spacer for T-clips



Technical data

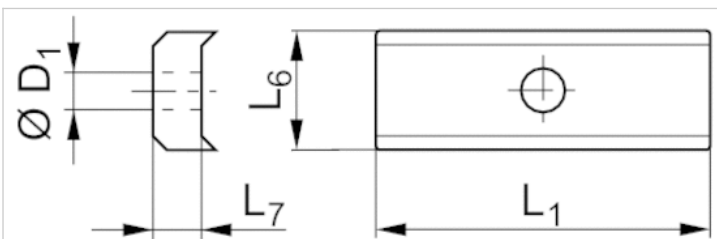
Part No.	Type	Delivery unit
8187080000	Ø 8-9	50 piece
8187100000	Ø 10-11	50 piece
8187120000	Ø 12-14	50 piece
8187160000	Ø 15-17	50 piece

Technical information

Material	
Material	Polyoxymethylene

Dimensions

Dimensions



Dimensions

Part No.	*)	Ø D1	L1	L6	L7
8187080000	8-9 x ...	4	24	10	5
8187100000	10-11 x ...	4	28	11	5
8187120000	12-14 x ...	4	35	12	5
8187160000	15-17 x ...	5	42	14	5

*) For compressed air tubing

Tubing clamp for reinforced plastic tubing, DIN 3017 form A



Weight

See table below

Technical data

Part No.	Type	Clearance (LW)	Delivery unit	Weight
1821310002	Ø 8-12	4 mm	25 piece	0.004 kg
1821310001	Ø 10-16	8 mm	25 piece	0.007 kg
1821310003	Ø 12-20	13 mm	25 piece	0.011 kg
1821310000	Ø 20-32	19 mm	25 piece	0.014 kg

LW = inside diameter of the tubing to be used

Technical information

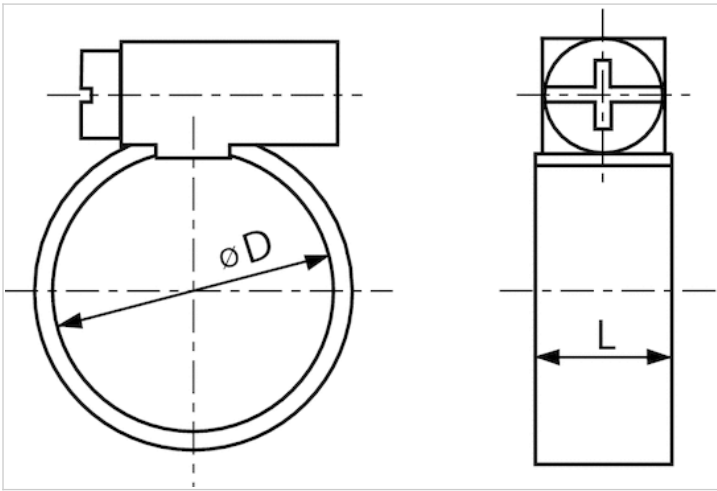
Materials: band and housing made of chrome steel 1.4016, screw made of yellow chromated steel Cq15.
 Category W2: low to medium corrosion resistance requirements, but detachability of corroded connections is ensured.

Technical information

Material	
Material	Stainless steel

Dimensions

Dimensions



Dimensions

Part No.	$\varnothing D$	L
1821310002	8-12	9
1821310001	10-16	9
1821310003	12-20	9
1821310000	20-32	9

Tubing clamp for reinforced plastic tubing, DIN 3017, single-zone clamp



Weight

See table below

Technical data

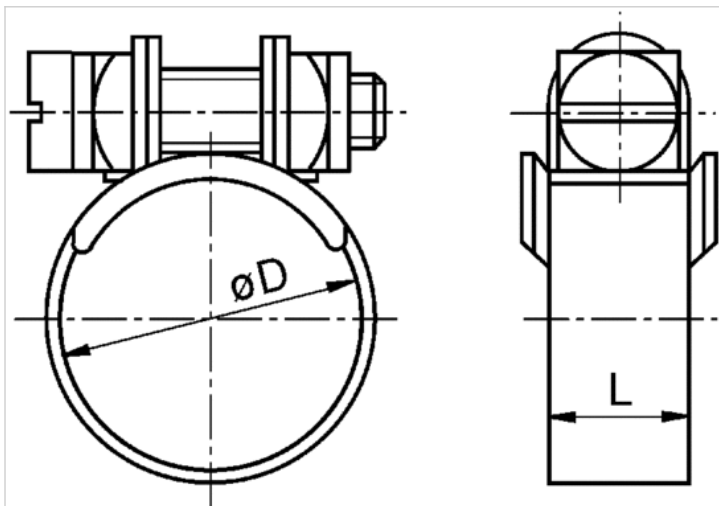
Part No.	Type	Delivery unit	Weight
8935190002	Ø 9	25 piece	0.004 kg
8935190012	Ø 13	25 piece	0.007 kg
8935190022	Ø 20	25 piece	0.011 kg

Technical information

Material	
Material	Steel galvanized

Dimensions

Dimensions



Dimensions

Part No.	ØD	L
8935190002	9	9
8935190012	13	9
8935190022	20	9

stiffener sleeve for plastic tubing



Technical data

Part No.	Type	Clearance (LW)	Delivery unit
8183040000	Ø 4	2.5 mm	50 piece
8183050000	Ø 5	3.2 mm	50 piece
8183060000	Ø 6	4 mm	50 piece
8183080000	Ø 8	6 mm	50 piece
8183120000	Ø 12	9 mm	50 piece

Technical information

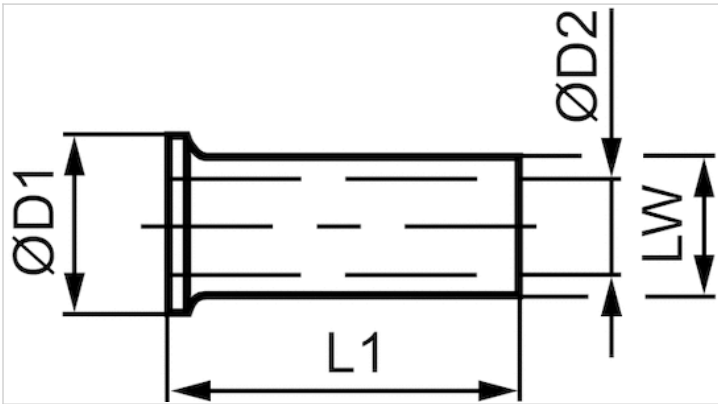
** For plastic tubing dimension, the tubing support is pushed into the end of the plastic tubing before attaching the compression fittings

Technical information

Material	
Material	Brass

Dimensions

Dimensions



Dimensions

Part No.	*	LW	Ø D1	Ø D2	L1
8183040000	4x0,75	2.5 mm	3.8	1.9	10
8183050000	5x0,9	3.2 mm	4.8	2.6	10
8183060000	6x1	4 mm	5	3.5	10
8183080000	8x1	6 mm	8	5.5	15
8183120000	12x1,5	9 mm	12	8	15

** For plastic tubing dimension, the tubing support is pushed into the end of the plastic tubing before attaching the compression fittings

Tubing cutter



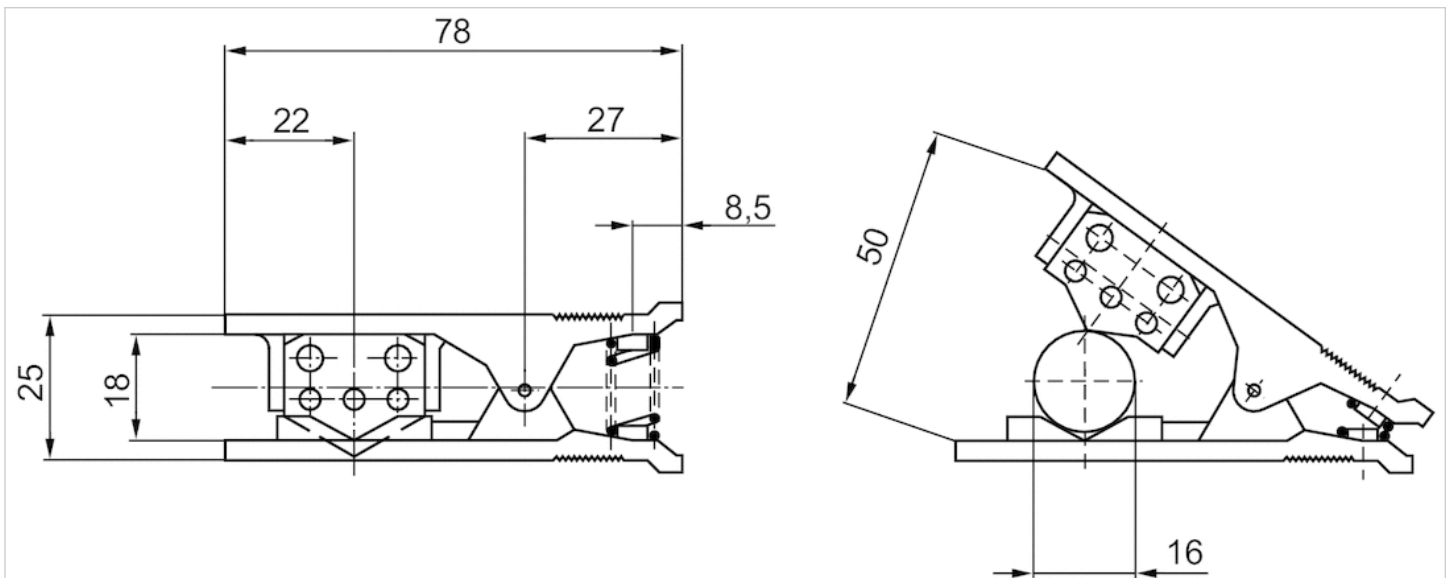
Technical data

Part No.	Type	Delivery unit	
1823391390	Tubing cutter	1 piece	-
1823391389	Spare blade	1 piece	1)

1) order quantity 5 pcs.

Dimensions

Dimensions



Tubing cutter



Technical data

Part No.
8997002402

Dimensions

Part No.	Ø
8997002402	4-22

*) For compressed air tubing

T-connector



Weight

See table below

Technical data

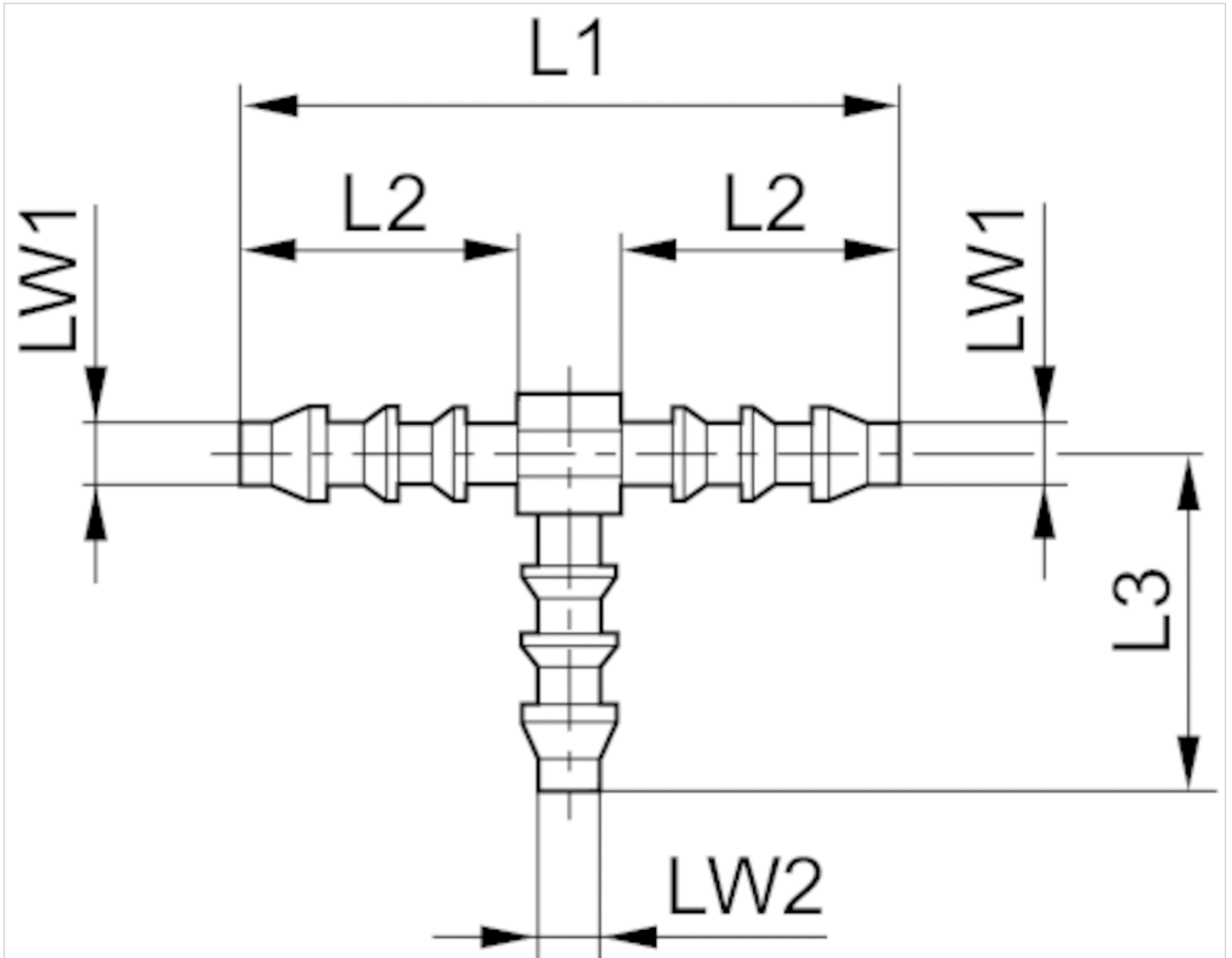
Part No.	Clearance (LW)	Clearance LW2	Delivery unit	Weight
1823381015	3 mm	3 mm	25 piece	0.001 kg
1823381004	4 mm	4 mm	25 piece	0.002 kg
1823381009	4 mm	6 mm	25 piece	0.002 kg
1823381012	6 mm	4 mm	25 piece	0.003 kg
1823381007	6 mm	6 mm	25 piece	0.003 kg
1823381013	8 mm	4 mm	25 piece	0.004 kg
1823381014	8 mm	6 mm	25 piece	0.004 kg
1823381010	8 mm	8 mm	25 piece	0.006 kg
1823381006	8 mm	13 mm	10 piece	0.007 kg
1823381032	10 mm	6 mm	10 piece	0.005 kg
1823381033	10 mm	8 mm	10 piece	0.006 kg
1823381034	10 mm	10 mm	10 piece	0.006 kg
1823381005	13 mm	8 mm	10 piece	0.011 kg
1823381035	13 mm	10 mm	10 piece	0.008 kg
1823381011	13 mm	13 mm	10 piece	0.012 kg
1823381008	19 mm	19 mm	10 piece	0.021 kg

LW = inside diameter of the tubing to be used

Technical information

Material	
Material	Polyoxymethylene

Dimensions



Dimensions

Part No.	LW	LW2	L1	L2	L3
1823381015	3 mm	3 mm	25	10	13
1823381004	4 mm	4 mm	35	14.5	20
1823381009	4 mm	6 mm	35	14.5	24
1823381012	6 mm	4 mm	49	20.5	21
1823381007	6 mm	6 mm	50	20.5	26
1823381013	8 mm	4 mm	56	23	22
1823381014	8 mm	6 mm	56	23	28
1823381010	8 mm	8 mm	58	-	30
1823381006	8 mm	13 mm	58	22.5	36
1823381032	10 mm	6 mm	62	25	31
1823381033	10 mm	8 mm	62	25.5	31
1823381034	10 mm	10 mm	62	25	33
1823381005	13 mm	8 mm	70	-	34

Part No.	LW	LW2	L1	L2	L3
1823381035	13 mm	10 mm	70	-	36
1823381011	13 mm	13 mm	73	-	39
1823381008	19 mm	19 mm	87	-	46

Straight fitting, self-sealing



Weight

See table below

Technical data

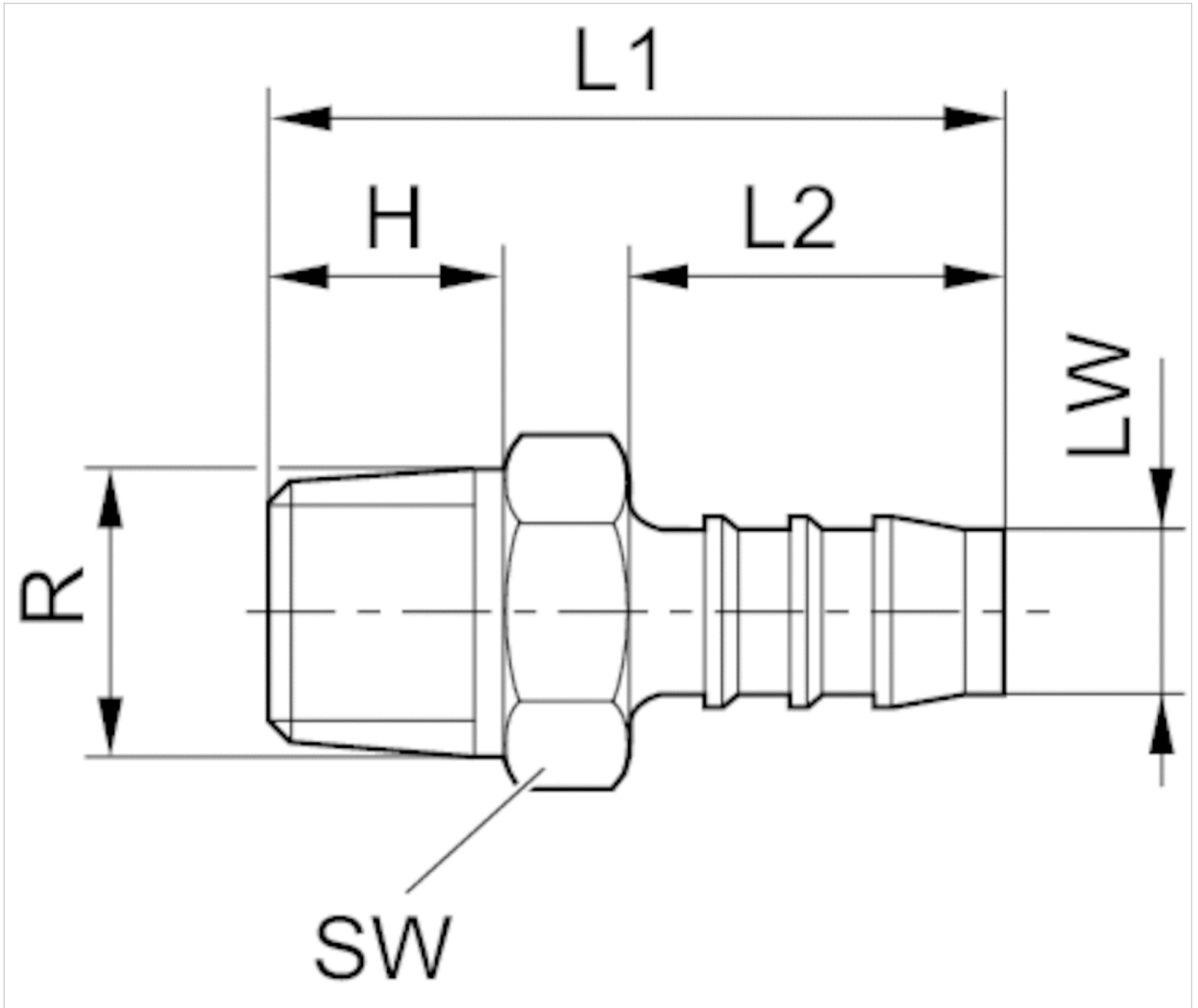
Part No.	Port	Clearance (LW)	Delivery unit	Weight
1823386043	R 1/8	4 mm	25 piece	0.001 kg
1823386044	R 1/8	6 mm	25 piece	0.002 kg
1823386045	R 1/4	6 mm	25 piece	0.003 kg
8931290054	R 1/4	4 mm	10 piece	0.002 kg
1823386000	R 1/4	8 mm	25 piece	0.003 kg
1823386055	R 1/4	10 mm	25 piece	0.003 kg
1823386054	R 3/8	6 mm	10 piece	0.004 kg
1823386001	R 3/8	8 mm	10 piece	0.004 kg
1823386056	R 3/8	10 mm	10 piece	0.005 kg
1823386003	R 3/8	12 mm	10 piece	0.005 kg
1823386002	R 1/2	8 mm	10 piece	0.009 kg
1823386004	R 1/2	13 mm	10 piece	0.01 kg

LW = inside diameter of the tubing to be used

Technical information

Material	
Material	Polyamide

Dimensions



Dimensions

Part No.	Port R	LW	H	L1	L2	SW
1823386043	R 1/8	4 mm	8	27	15	10
1823386044	R 1/8	6 mm	8	33	20	10
1823386045	R 1/4	6 mm	12	38	20	14
8931290054	R 1/4	4 mm	12	39	23	14
1823386000	R 1/4	8 mm	12	41	23	14
1823386055	R 1/4	10 mm	12	43	25	14
1823386054	R 3/8	6 mm	12	39	20	17
1823386001	R 3/8	8 mm	12	44	23	17
1823386056	R 3/8	10 mm	12	43	25	17
1823386003	R 3/8	12 mm	12	48	28	17
1823386002	R 1/2	8 mm	17	49	23	22

Part No.	Port R	LW	H	L1	L2	SW
1823386004	R 1/2	13 mm	17	54	28	22

Y-connector



Weight

See table below

Technical data

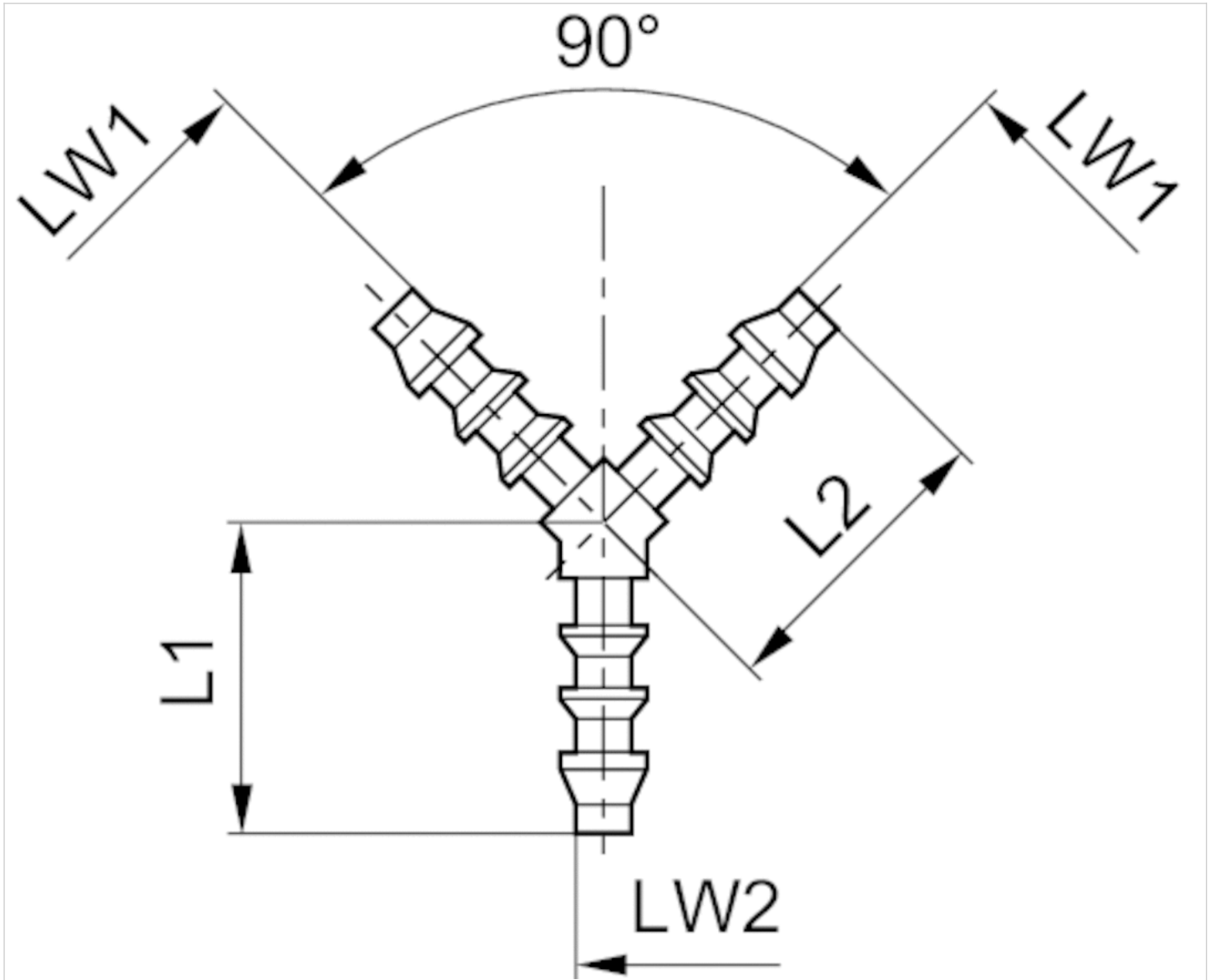
Part No.	Clearance (LW)	Clearance LW2	Delivery unit	Weight
1823381020	3 mm	3 mm	25 piece	0.001 kg
1823381021	4 mm	4 mm	25 piece	0.001 kg
1823381026	4 mm	6 mm	25 piece	0.002 kg
1823381022	6 mm	6 mm	25 piece	0.003 kg
1823381027	6 mm	8 mm	25 piece	0.004 kg
1823381023	8 mm	8 mm	25 piece	0.005 kg
1823381024	13 mm	13 mm	10 piece	0.013 kg
1823381025	19 mm	19 mm	10 piece	0.019 kg

LW = inside diameter of the tubing to be used

Technical information

Material	
Material	Polyoxymethylene

Dimensions



Dimensions

Part No.	LW	LW2	L1	L2
1823381020	3 mm	3 mm	13	13
1823381021	4 mm	4 mm	20	20
1823381026	4 mm	6 mm	20	26
1823381022	6 mm	6 mm	26	26
1823381027	6 mm	8 mm	26	30
1823381023	8 mm	8 mm	30	30
1823381024	13 mm	13 mm	39	39
1823381025	19 mm	19 mm	46	46

X-connector



Weight

See table below

Technical data

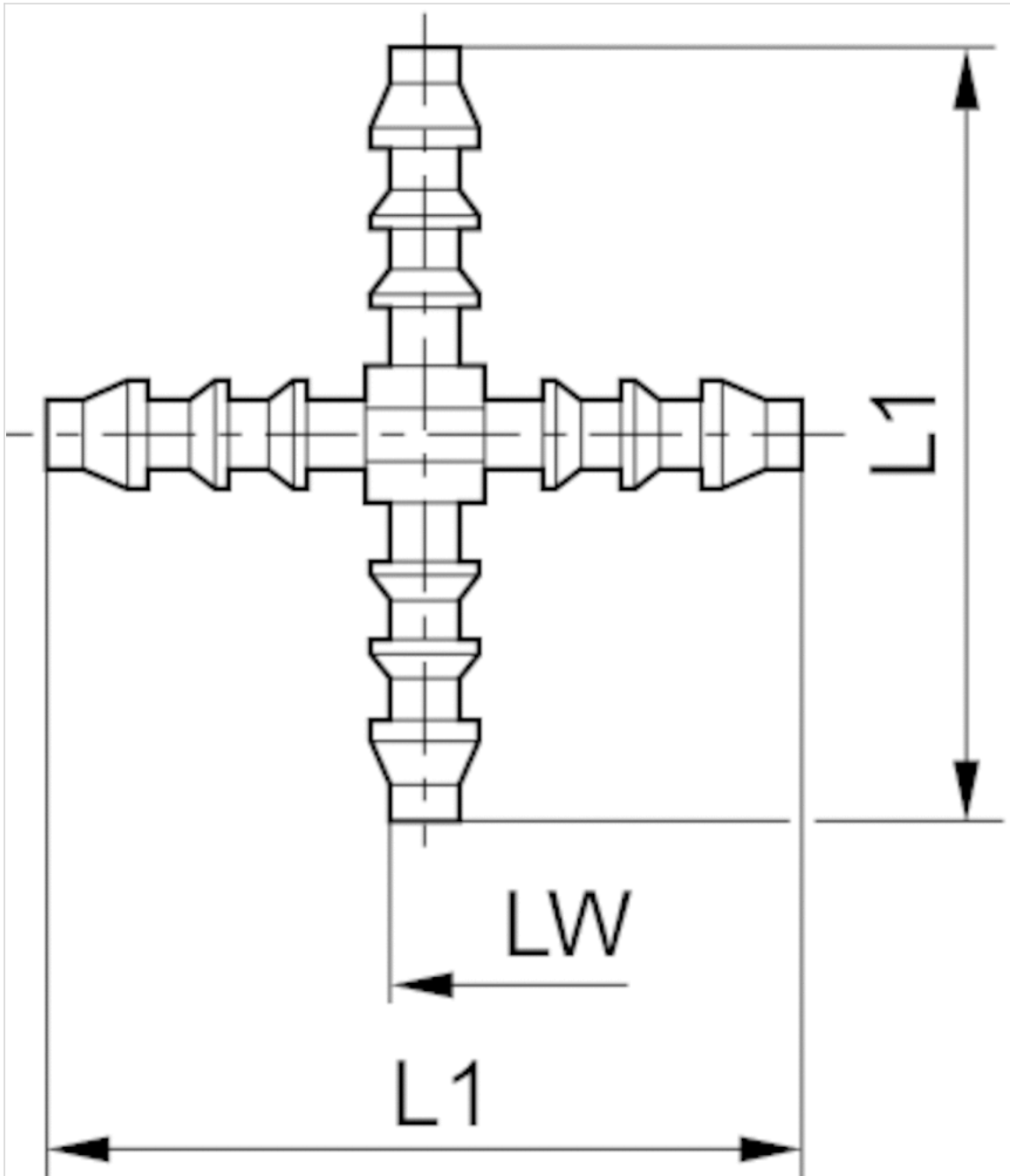
Part No.	Clearance (LW)	Delivery unit	Weight
1823381028	4 mm	25 piece	0.002 kg
1823381029	6 mm	25 piece	0.004 kg

LW = inside diameter of the tubing to be used

Technical information

Material	
Material	Polyoxymethylene

Dimensions



Dimensions

Part No.	LW	L1
1823381028	4 mm	39
1823381029	6 mm	48

Straight fitting, with sealing ring

- M5 G 1/8 G 1/4 G 3/8 G 1/2 G 3/4



Weight

See table below

Technical data

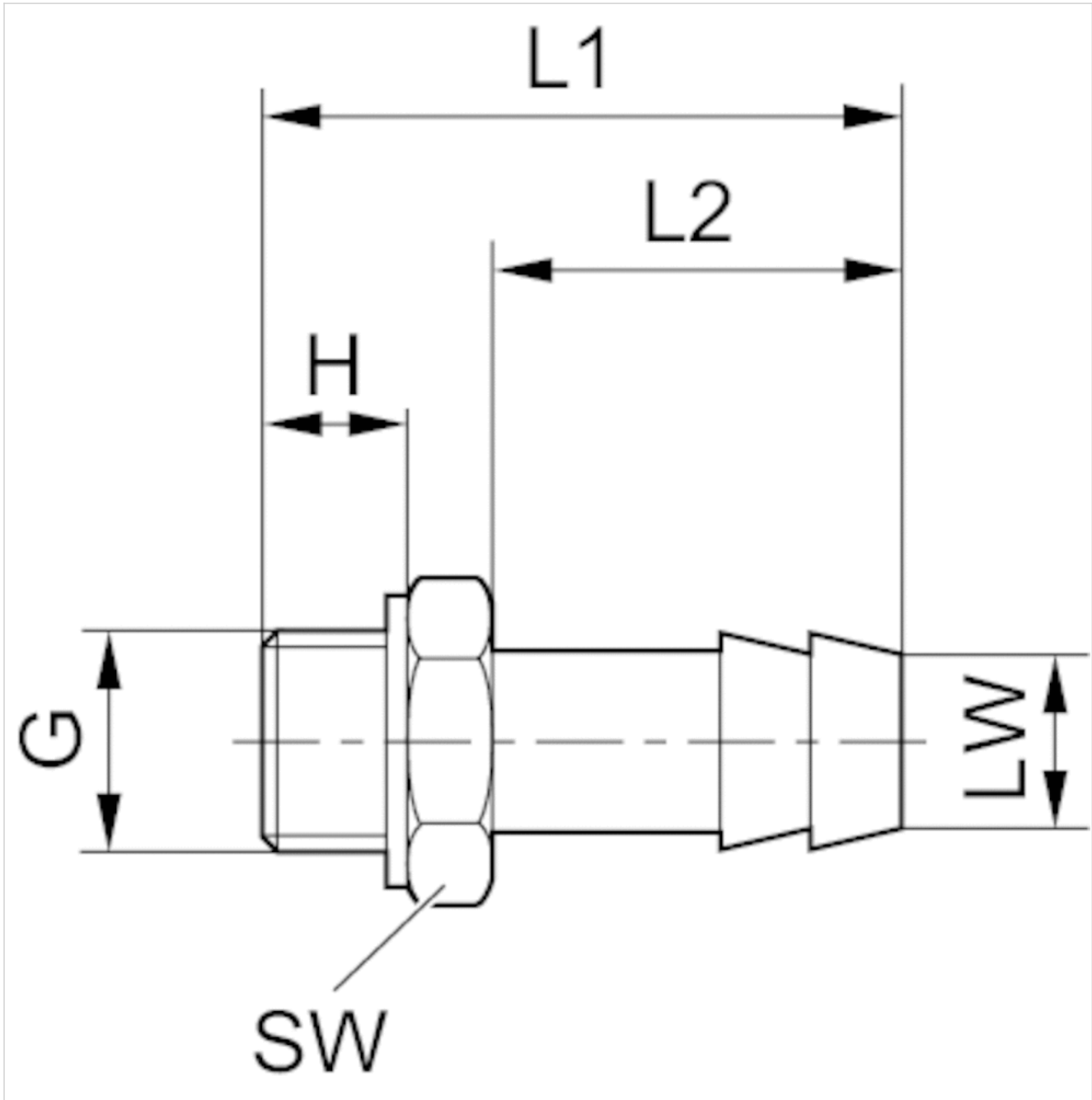
Part No.	Port G	Clearance (LW)	Delivery unit	Weight
1823386006	M5	4 mm	25 piece	0.003 kg
1823386007	G 1/8	4 mm	10 piece	0.006 kg
1823386008	G 1/8	6 mm	10 piece	0.011 kg
1823386009	G 1/8	8 mm	10 piece	0.013 kg
1823386012	G 1/4	4 mm	10 piece	0.018 kg
1823386013	G 1/4	6 mm	10 piece	0.019 kg
1823386014	G 1/4	8 mm	10 piece	0.021 kg
1823386036	G 3/8	6 mm	10 piece	0.031 kg
1823386037	G 3/8	8 mm	10 piece	0.028 kg
1823386038	G 3/8	13 mm	10 piece	0.026 kg
1823386039	G 1/2	8 mm	5 piece	0.048 kg
1823386040	G 1/2	13 mm	5 piece	0.052 kg
1823386041	G 3/4	13 mm	5 piece	0.11 kg
1823386042	G 3/4	19 mm	5 piece	0.135 kg

LW = inside diameter of the tubing to be used

Technical information

Material	
Material	Brass nickel-plated

Dimensions



Dimensions

Part No.	G	LW	H	L1	L2	SW
1823386006	M5	4 mm	5	15.5	7.5	7
1823386007	G 1/8	4 mm	7	28	17	14
1823386008	G 1/8	6 mm	7	33	22	14
1823386009	G 1/8	8 mm	7	33	22	14
1823386012	G 1/4	4 mm	9	30	17	17
1823386013	G 1/4	6 mm	9	35	22	17
1823386014	G 1/4	8 mm	9	35	22	17
1823386036	G 3/8	6 mm	9	36	22	19

Part No.	G	LW	H	L1	L2	SW
1823386037	G 3/8	8 mm	9	36	22	19
1823386038	G 3/8	13 mm	9	42	28	19
1823386039	G 1/2	8 mm	12	40	22	27
1823386040	G 1/2	13 mm	12	46	28	27
1823386041	G 3/4	13 mm	16	52	28	32
1823386042	G 3/4	19 mm	16	60	36	32

Straight connector, reducing



Weight

See table below

Technical data

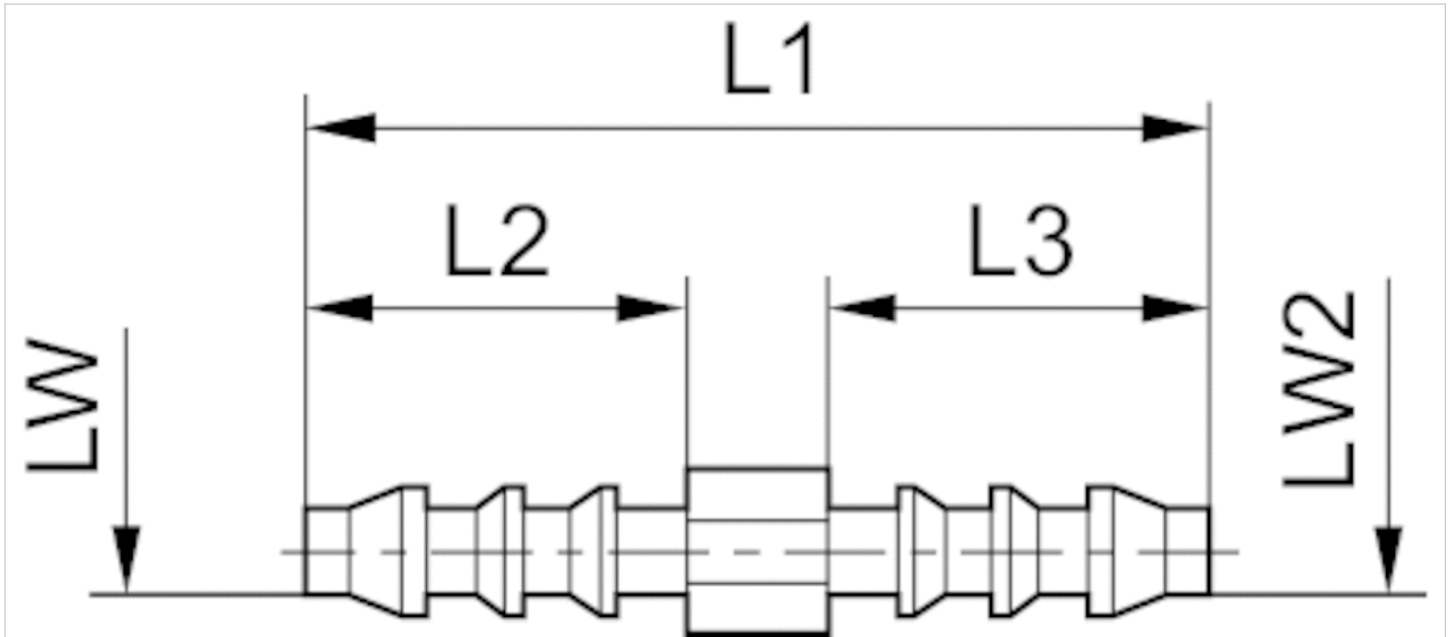
Part No.	Clearance (LW)	Clearance LW2	Delivery unit	Weight
1823386046	3 mm	3 mm	50 piece	0.001 kg
1823386050	4 mm	3 mm	50 piece	0.005 kg
1823386047	4 mm	4 mm	50 piece	0.001 kg
1823386051	6 mm	4 mm	50 piece	0.002 kg
1823386048	6 mm	6 mm	50 piece	0.002 kg
1823386052	8 mm	4 mm	25 piece	0.003 kg
1823386053	8 mm	6 mm	25 piece	0.003 kg
1823386010	8 mm	8 mm	25 piece	0.006 kg
1823386005	8 mm	13 mm	25 piece	0.006 kg
1823386057	10 mm	6 mm	25 piece	0.004 kg
1823386058	10 mm	8 mm	25 piece	0.004 kg
1823386059	10 mm	10 mm	25 piece	0.004 kg
1823386011	12 mm	12 mm	25 piece	0.009 kg
1823386049	19 mm	19 mm	10 piece	0.013 kg

LW = inside diameter of the tubing to be used

Technical information

Material	
Material	Polyoxymethylene

Dimensions



Dimensions

Part No.	LW	LW2	L1	L2	L3
1823386046	3 mm	3 mm	25	10	10
1823386050	4 mm	3 mm	30	15	10
1823386047	4 mm	4 mm	35	14.5	14.5
1823386051	6 mm	4 mm	42.5	20.5	14.5
1823386048	6 mm	6 mm	49	20.5	20.5
1823386052	8 mm	4 mm	48	22.5	15
1823386053	8 mm	6 mm	54	23	20.5
1823386010	8 mm	8 mm	56	22	22
1823386005	8 mm	13 mm	63	27.5	23
1823386057	10 mm	6 mm	56	25	20
1823386058	10 mm	8 mm	60.5	25	22.5
1823386059	10 mm	10 mm	63	25	25
1823386011	12 mm	12 mm	73	27	27
1823386049	19 mm	19 mm	76	32	32

Elbow fitting, self-sealing



Weight

See table below

Technical data

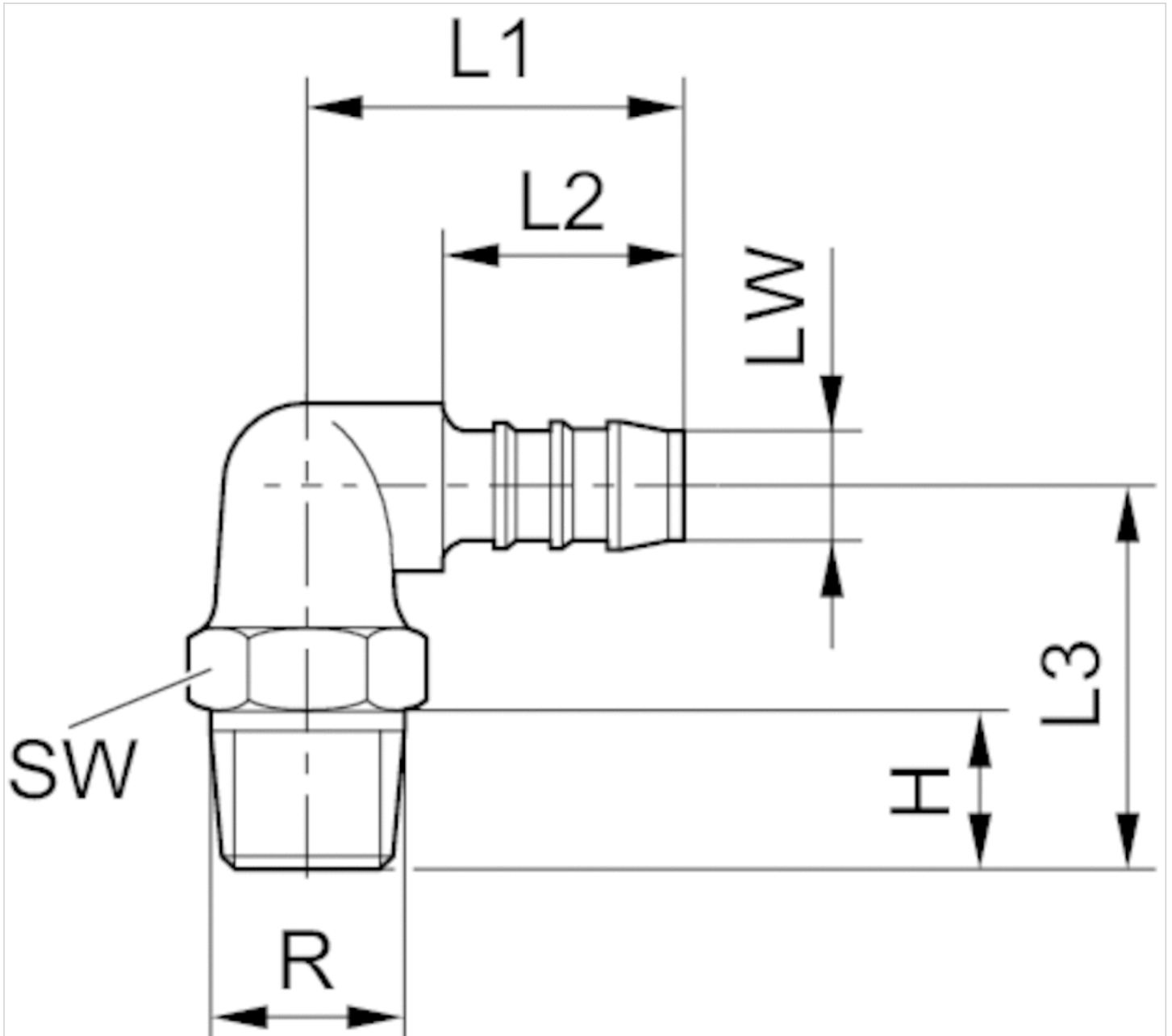
Part No.	Port	Clearance (LW)	Delivery unit	Weight
1823379005	R 1/8	4 mm	25 piece	0.001 kg
1823379006	R 1/8	6 mm	25 piece	0.002 kg
1823379007	R 1/4	6 mm	25 piece	0.003 kg
1823379000	R 1/4	8 mm	25 piece	0.004 kg
1823379009	R 1/4	10 mm	10 piece	0.006 kg
1823379008	R 3/8	6 mm	10 piece	0.008 kg
1823379001	R 3/8	8 mm	10 piece	0.007 kg
1823379010	R 3/8	10 mm	10 piece	0.007 kg
1823379003	R 3/8	13 mm	10 piece	0.009 kg
1823379002	R 1/2	8 mm	10 piece	0.01 kg
1823379004	R 1/2	13 mm	10 piece	0.011 kg

LW = inside diameter of the tubing to be used

Technical information

Material	
Material	Polyamide

Dimensions



Dimensions

Part No.	R	LW	H	L1	L2	L3	SW
1823379005	R 1/8	4 mm	8	21	15	16	10
1823379006	R 1/8	6 mm	8	28	20	21	10
1823379007	R 1/4	6 mm	12	28	20	26	14
1823379000	R 1/4	8 mm	12	33	23	27	14
1823379009	R 1/4	10 mm	12	38	25	30	17
1823379008	R 3/8	6 mm	12	28	20	26	17
1823379001	R 3/8	8 mm	12	36	23	31	17
1823379010	R 3/8	10 mm	12	38	25	31	17
1823379003	R 3/8	13 mm	12	38	28	30	17

Part No.	R	LW	H	L1	L2	L3	SW
1823379002	R 1/2	8 mm	17	36	23	36	22
1823379004	R 1/2	13 mm	17	41	28	36	22

T-union, self-sealing



Weight

See table below

Technical data

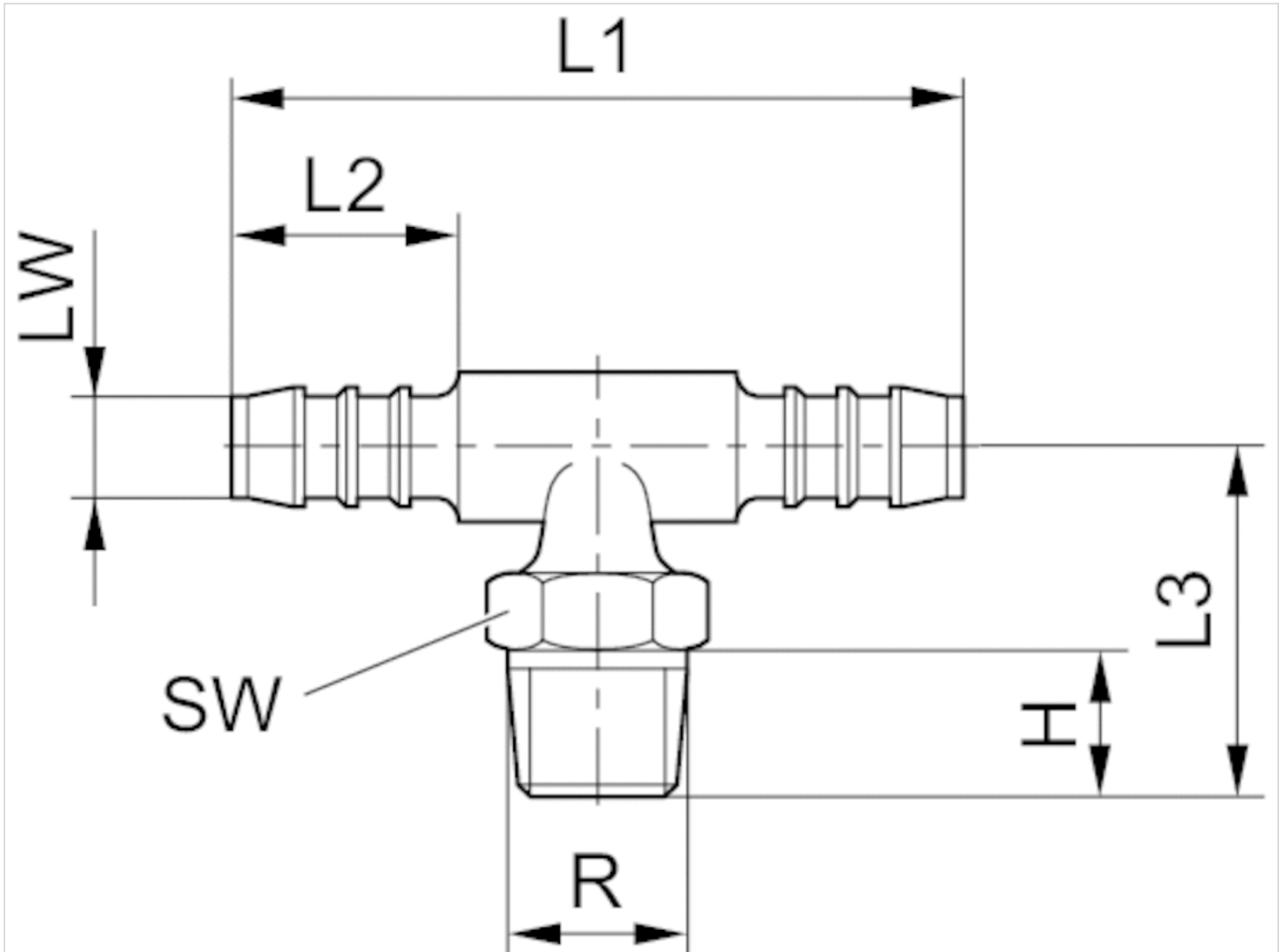
Part No.	Port	Clearance (LW)	Delivery unit	Weight
1823381001	R 1/8	4 mm	25 piece	0.002 kg
1823381002	R 1/8	6 mm	25 piece	0.003 kg
1823381003	R 1/4	6 mm	25 piece	0.004 kg
1823381000	R 1/4	8 mm	25 piece	0.005 kg

LW = inside diameter of the tubing to be used

Technical information

Material	
Material	Polyamide

Dimensions



Dimensions

Part No.	R	LW	H	L1	L2	L3	SW
1823381001	R 1/8	4	8	44	15	18	10
1823381002	R 1/8	6	8	57	20	21	10
1823381003	R 1/4	6	12	57	20	26	14
1823381000	R 1/4	8	12	66	23	28	14

Efficient pneumatic solutions, our program: cylinders and drives, valves and valve systems, air supply management



Visit us: Emerson.com/Aventics

Your local contact: Emerson.com/contactus



Emerson.com



Facebook.com/EmersonAutomationSolutions



LinkedIn.com/company/Emerson-Automation-Solutions



Twitter.com/EMR_Automation

An example configuration is depicted on the title page. The delivered product may thus vary from that in the illustration. Subject to change. This Document, as well as the data, specifications and other information set forth in it, are the exclusive property of AVENTICS GmbH. It may not be reproduced or given to third parties without its consent. Only use the AVENTICS products shown in industrial applications. Read the product documentation completely and carefully before using the product. Observe the applicable regulations and laws of the respective country. When integrating the product into applications, note the system manufacturer's specifications for safe use of the product. The data specified only serve to describe the product. No statements concerning a certain condition or suitability for a certain application can be derived from our information. The information given does not release the user from the obligation of own judgment and verification. It must be remembered that the products are subject to a natural process of wear and aging.

The Emerson logo is a trademark and service mark of Emerson Electric Co. Brand logotype are registered trademarks of one of the Emerson family of companies. All other marks are the property of their respective owners. © 2017 Emerson Electric Co. All rights reserved.
2019-03



CONSIDER IT SOLVED™



青岛秉诚自动化设备有限公司
地址：中国·青岛市重庆南路99号海尔云街甲3号楼7F

服务热线：4006-918-365
网址：<http://www.ivalve.cc>

传真：(86-532)585-10-365
Email：sales@bechinas.com