

## Compressed air gun



## AVENTICS™ Compressed air gun



# Compressed air gun with economy nozzle



Working pressure min./max.	0 ... 10 bar
Ambient temperature min./max.	-10 ... 50 °C
Medium	Compressed air
Weight per piece	0.16 kg

## Technical data

Part No.	Flow	Sound pressure level	Housing	Delivery unit
	Qn			
R412010651	100 l/min	70 dB	Polyamide	1 piece

Sound pressure level measured at 6 bar at 1 m distance, Scope of delivery including extension tube

## Technical information

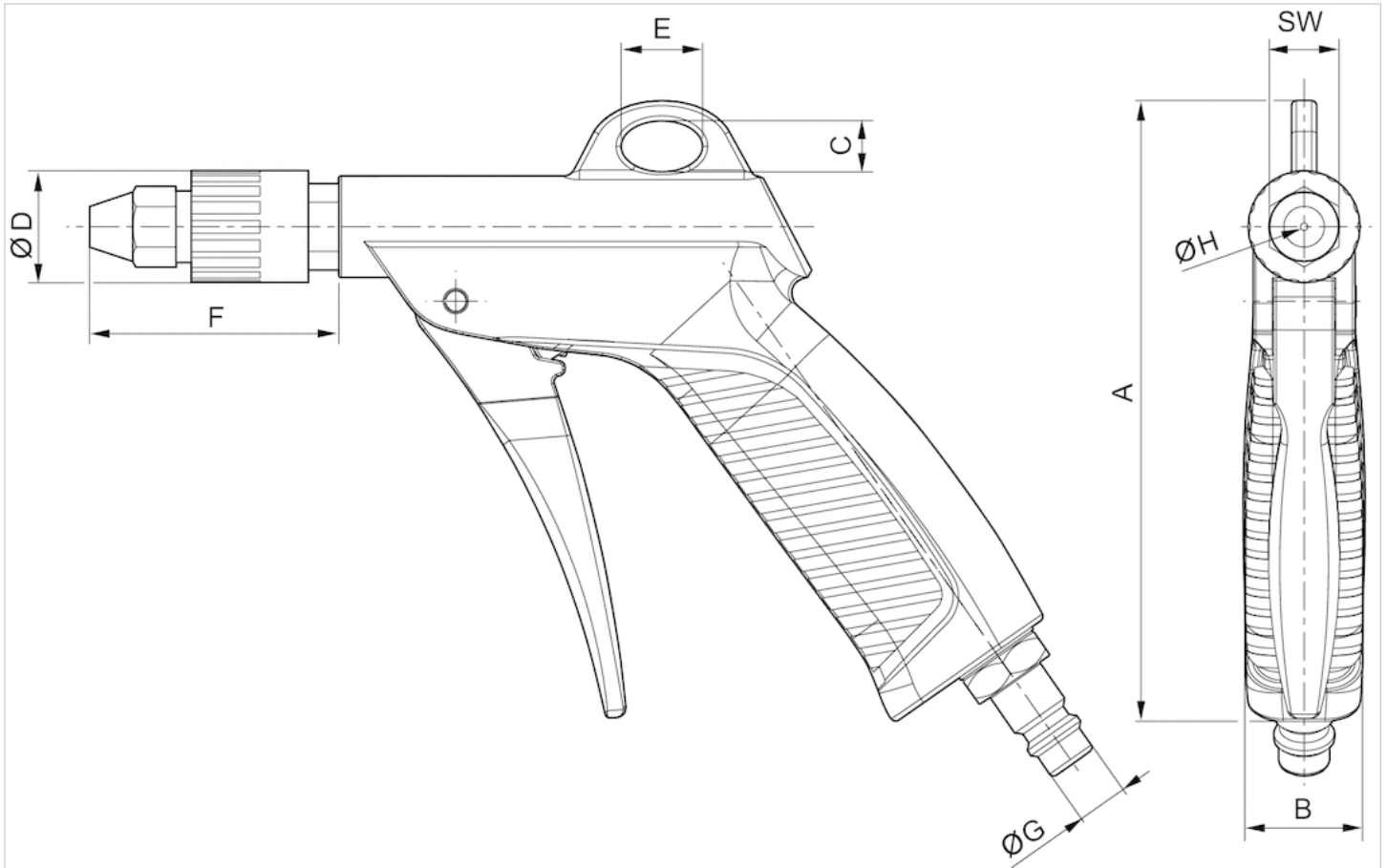
Coupling plug 1823351016 (G1/4) is fitted as standard.  
 CP1 series couplings with NW 7.2 are suitable for this coupling plug.  
 Alternatively, a tubing collar can be used to connect the tubing.

## Technical information

Material	
Housing	Polyamide

## Dimensions

### Dimensions



## Dimensions

Part No.	A	B	C	Ø D	E	F	Ø G	Ø H	SW
R412010651	122	24	10	22	16	49	10	1.5	14

Scope of delivery including extension tube

# Compressed air gun with extension tube



Working pressure min./max.	0 ... 10 bar
Ambient temperature min./max.	-10 ... 50 °C
Medium	Compressed air
Weight per piece	0.16 kg

## Technical data

Part No.	Flow	Sound pressure level	Housing	Delivery unit
	Qn			
R412010659	250 l/min	90 dB	Polyamide	1 piece

Sound pressure level measured at 6 bar at 1 m distance

## Technical information

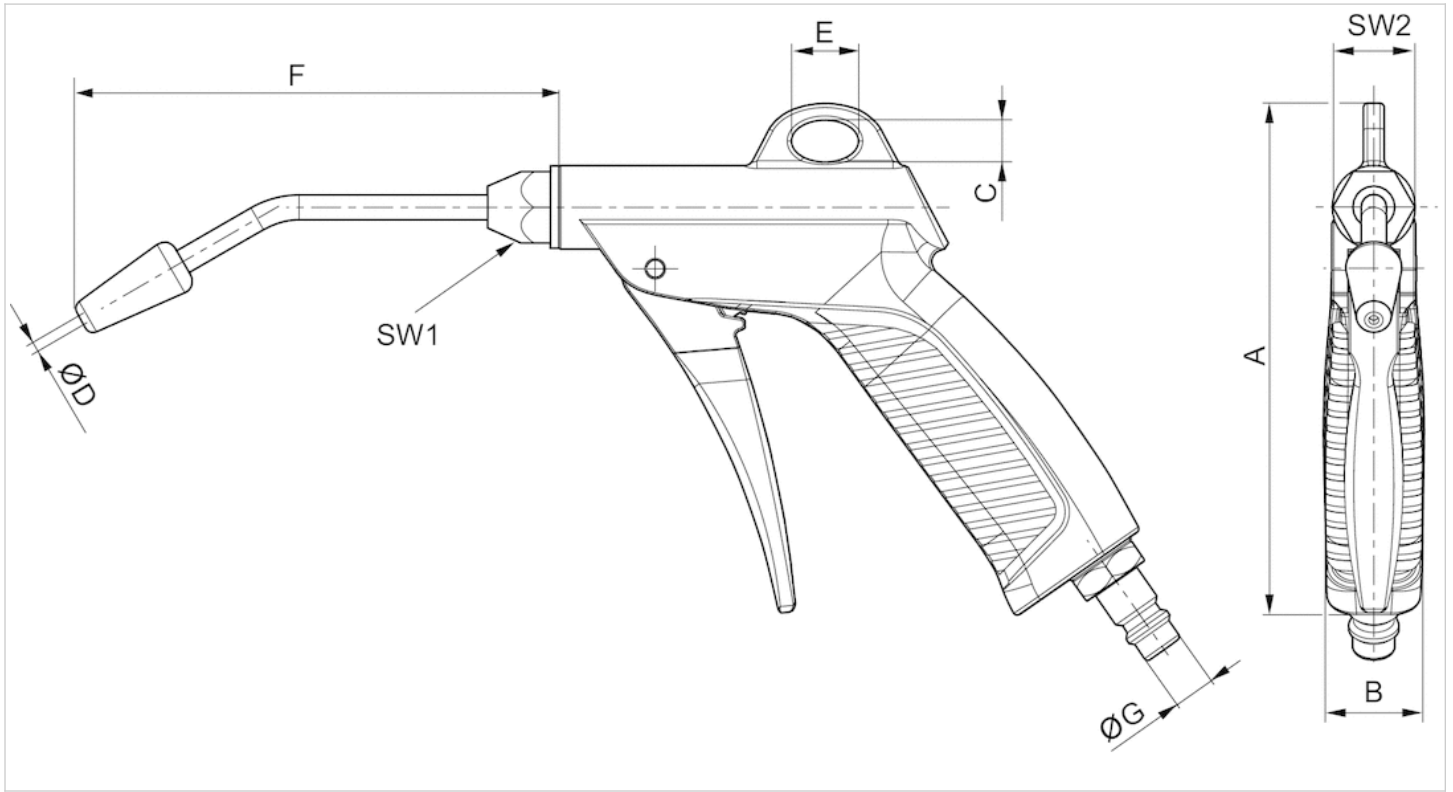
Coupling plug 1823351016 (G1/4) is fitted as standard.  
 CP1 series couplings with NW 7.2 are suitable for this coupling plug.  
 Alternatively, a tubing collar can be used to connect the tubing.

## Technical information

Material	
Housing	Polyamide

## Dimensions

### Dimensions



## Dimensions

Part No.	A	B	C	Ø D	E	F	Ø G	SW1	SW2
R412010659	122	24	10	2.4	16	115	10	17	14

# Safety nozzle



Weight

0.02 kg

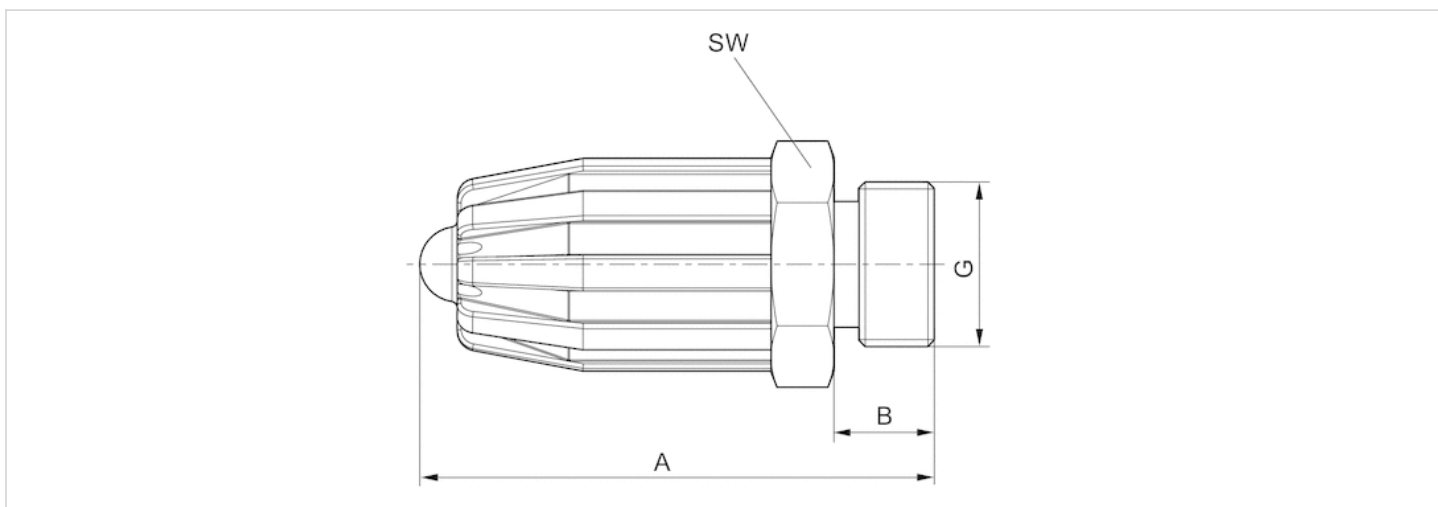
## Technical data

Part No.	Delivery unit
R412010652	1 piece

## Technical information

Material	
Material	Zinc chrome-plated

## Dimensions

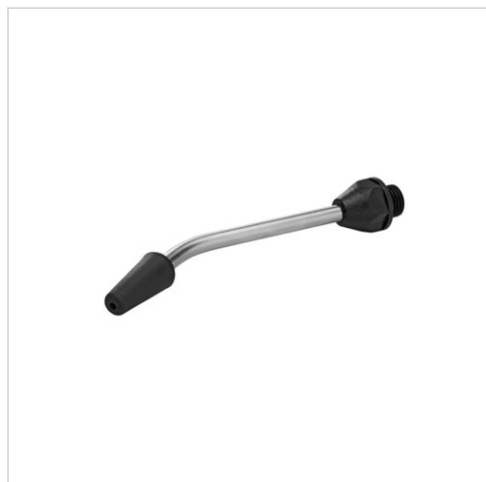


## Dimensions

Part No.	A	B	G	SW
R412010652	41	8	M12x1,25	17



# Extension tube



Weight

0.022 kg

## Technical data

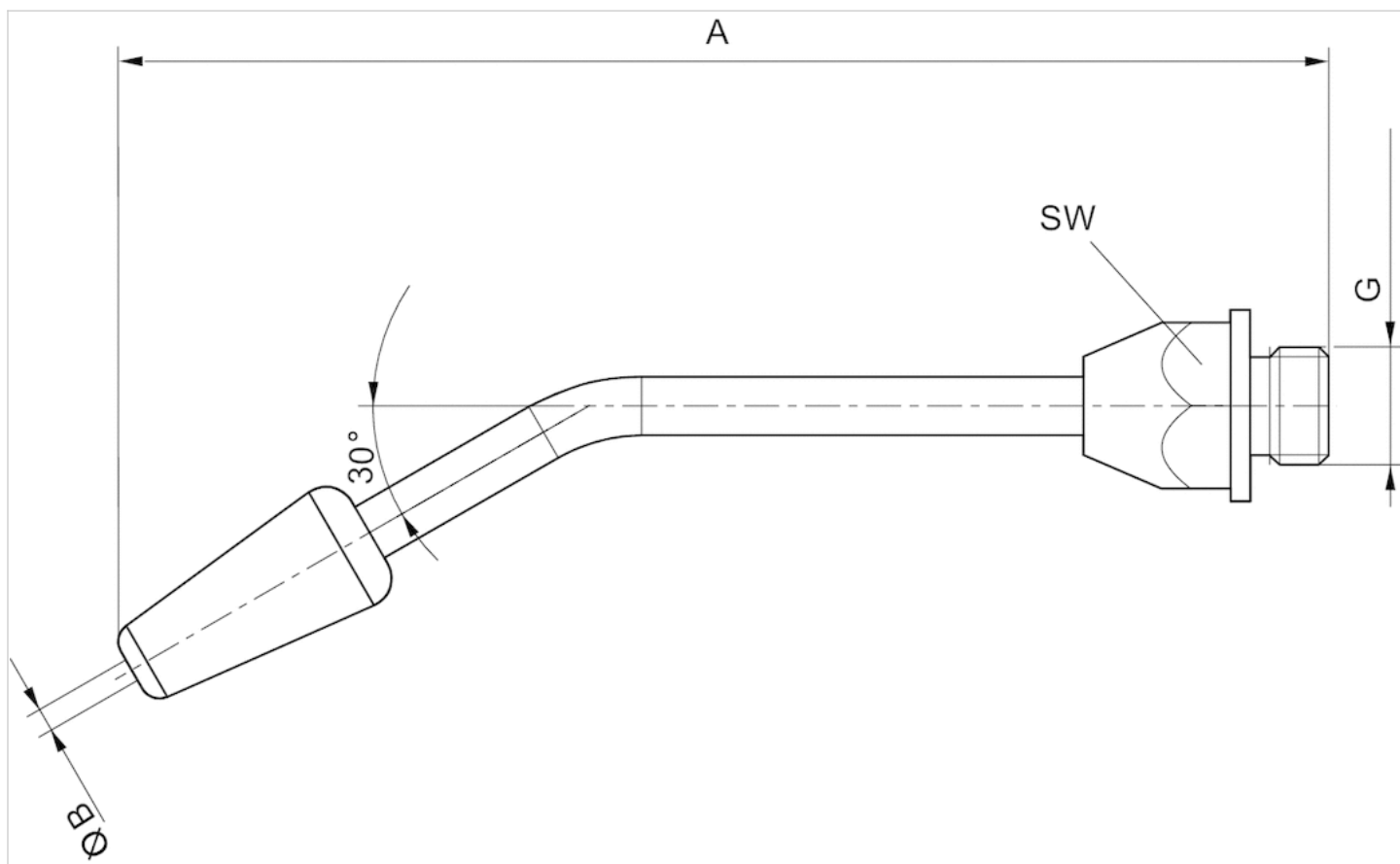
Part No.	Delivery unit
R412010653	1 piece

## Technical information

Material	
Material	Steel
Nozzle	Polyurethane
Nozzle Color	Black through-dyed



## Dimensions



## Dimensions

Part No.	A	Ø B	G	SW
R412010653	124	2.4	M12x1.25	17

# Economy nozzle



Weight

0.02 kg

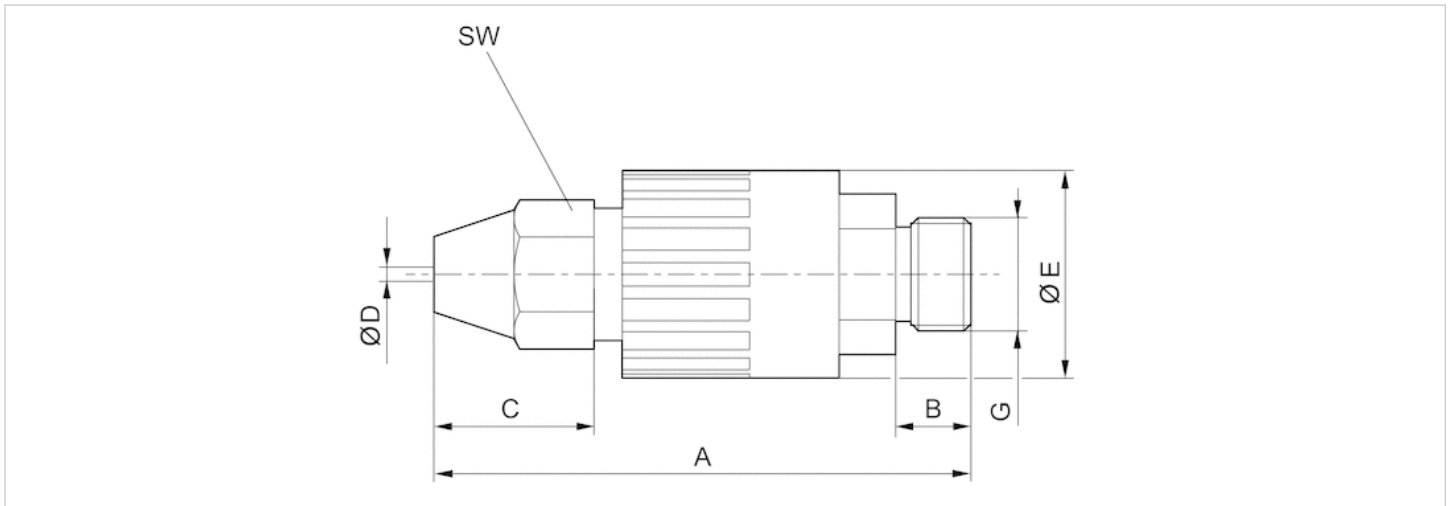
## Technical data

Part No.	Delivery unit
R412010660	1 piece

## Technical information

Material	
Material	Aluminum
Connector	Polyoxymethylene
Nozzle	Polyoxymethylene

## Dimensions



## Dimensions

Part No.	A	B	C	Ø D	Ø E	G	SW
R412010660	57	8	17	1.5	22	M12x1.25	14

# Efficient pneumatic solutions, our program: cylinders and drives, valves and valve systems, air supply management



Visit us: [Emerson.com/Aventics](http://Emerson.com/Aventics)

Your local contact: [Emerson.com/contactus](http://Emerson.com/contactus)



[Emerson.com](http://Emerson.com)



[Facebook.com/EmersonAutomationSolutions](https://Facebook.com/EmersonAutomationSolutions)



[LinkedIn.com/company/Emerson-Automation-Solutions](https://LinkedIn.com/company/Emerson-Automation-Solutions)



[Twitter.com/EMR\\_Automation](https://Twitter.com/EMR_Automation)

An example configuration is depicted on the title page. The delivered product may thus vary from that in the illustration. Subject to change. This Document, as well as the data, specifications and other information set forth in it, are the exclusive property of AVENTICS GmbH. It may not be reproduced or given to third parties without its consent. Only use the AVENTICS products shown in industrial applications. Read the product documentation completely and carefully before using the product. Observe the applicable regulations and laws of the respective country. When integrating the product into applications, note the system manufacturer's specifications for safe use of the product. The data specified only serve to describe the product. No statements concerning a certain condition or suitability for a certain application can be derived from our information. The information given does not release the user from the obligation of own judgment and verification. It must be remembered that the products are subject to a natural process of wear and aging.

The Emerson logo is a trademark and service mark of Emerson Electric Co. Brand logotype are registered trademarks of one of the Emerson family of companies. All other marks are the property of their respective owners. © 2017 Emerson Electric Co. All rights reserved.  
2019-03



## CONSIDER IT SOLVED™



青岛秉诚自动化设备有限公司  
地址：中国·青岛市重庆南路99号海尔云街甲3号楼7F

服务热线：4006-918-365  
网址：<http://www.ivalve.cc>

传真：(86-532)585-10-365  
Email：[sales@bechinas.com](mailto:sales@bechinas.com)