

Contact bridges, series CON-CB



AVENTICS™ Contact bridges, series CON-CB



Contact bridges, series CON-CB

- Plug, 4-pin, straight, 180°
- Socket, form C, 2-pin, straight
- Number of solenoid coils 1



Ambient temperature min./max.	-15 ... 50 °C
Protection class	IP65
Operational voltage	24 V AC/DC
Voltage tolerance AC 50 Hz	-10% / +10%
Voltage tolerance AC 60 Hz	-10% / +10%
Valve LED status display	Yellow
Mounting screw	M2.5 with slot
Tightening torque for mounting screws [+0,05]	0.25 Nm
Weight	0.016 kg

Technical data

Part No.

5763573113

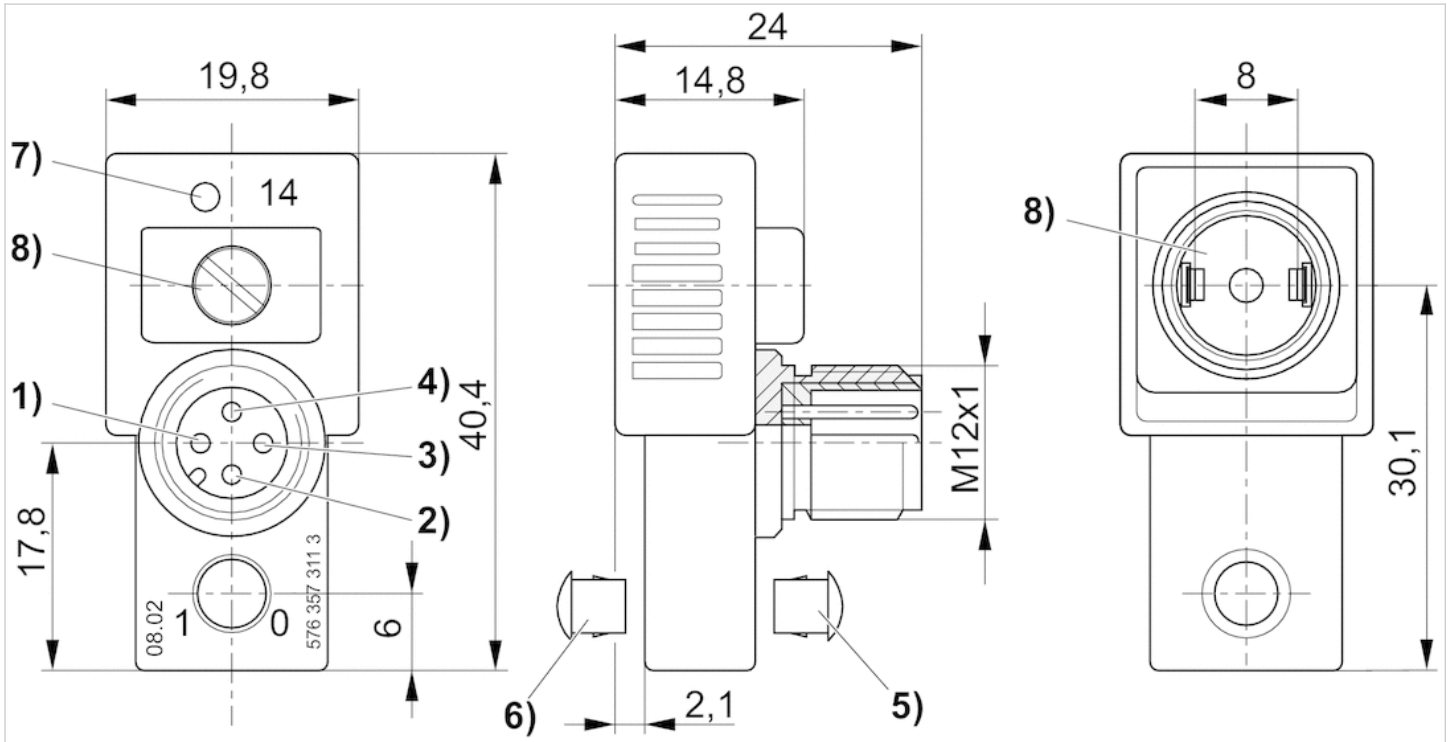
Technical information

Material

Housing	Polyester amide
Seals	Fluorocaoutchouc

Dimensions

Dimensions



- 1) not assigned
- 2) not assigned
- 3) 0 V
- 4) magnet 14
- 5) Sealing cap for manual override not removable
- 6) Removable
- 7) LED valve
- 8) captive seal and screw

Contact bridges, series CON-CB

- Plug, 4-pin, straight, 180°
- Socket, form C, 2-pin, straight
- Socket, form C, 2-pin, straight
- Number of solenoid coils 2



Ambient temperature min./max.	-15 ... 50 °C
Protection class	IP65
Operational voltage	24 V AC/DC
Voltage tolerance AC 50 Hz	-10% / +10%
Voltage tolerance AC 60 Hz	-10% / +10%
Valve LED status display	Yellow
Mounting screw	M2.5 with slot
Tightening torque for mounting screws [+0,05]	0.25 Nm
Weight	0.026 kg

Technical data

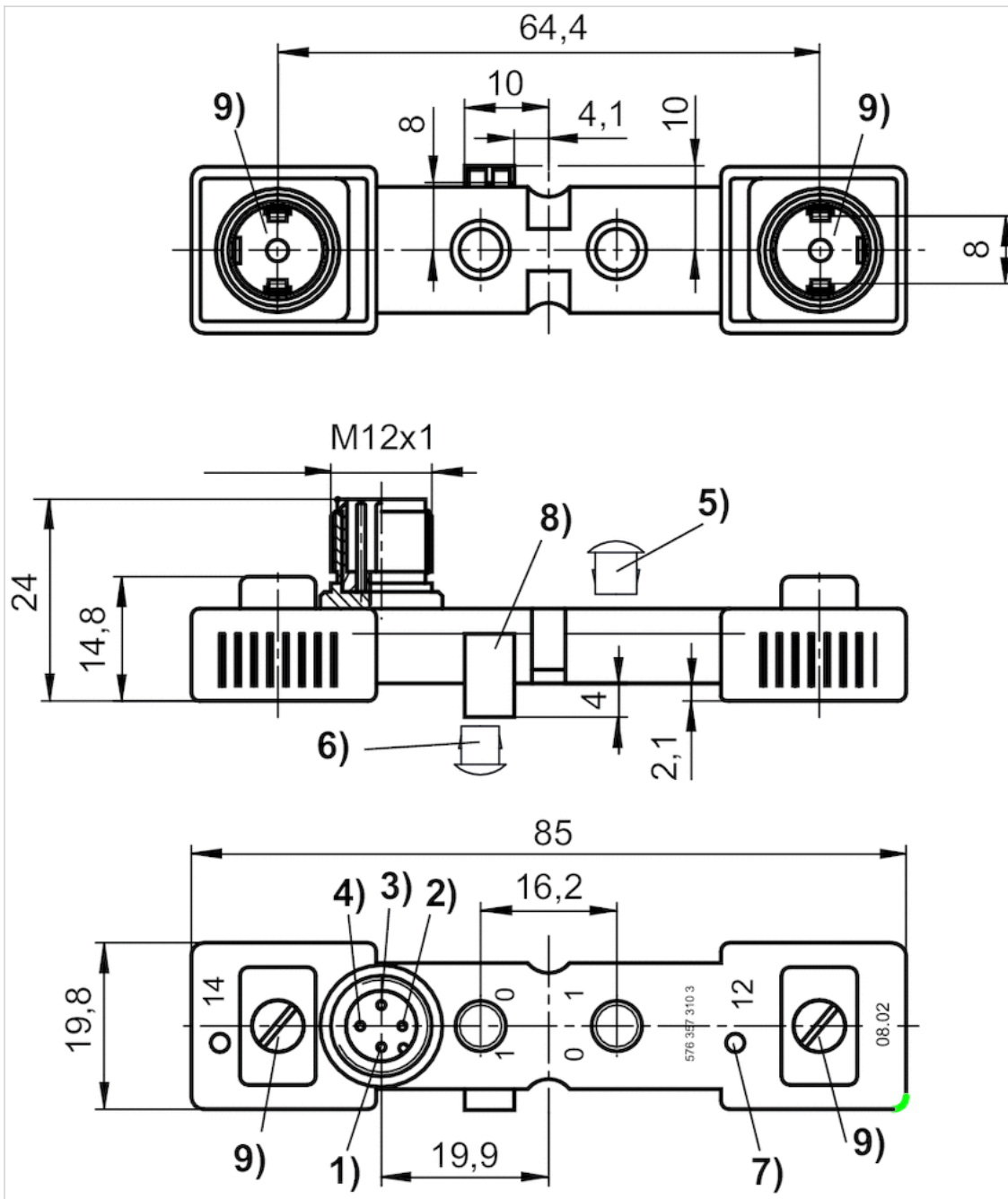
Part No.
5763573103

Technical information

Material	
Housing	Polyester amide
Seals	Fluorocaoutchouc

Dimensions

Dimensions



- 1) not assigned 2) solenoid 12 3) 0 V 4) solenoid 14
- 5) Sealing cap for manual override not removable
- 6) Removable
- 7) LED valve
- 8) positioning pin
- 9) captive seal and screw

Contact bridges, series CON-CB

- Plug, 4-pin, straight, 180°
- Socket, form C, 2-pin, straight
- Number of solenoid coils 1



Ambient temperature min./max.	-15 ... 50 °C
Protection class	IP65
Protective circuit	43 V bi-directional
Operational voltage	24 V DC
Valve LED status display	Yellow
Mounting screw	M2.5 with slot
Tightening torque for mounting screws [+0,05]	0.25 Nm
Weight	0.02 kg

Technical data

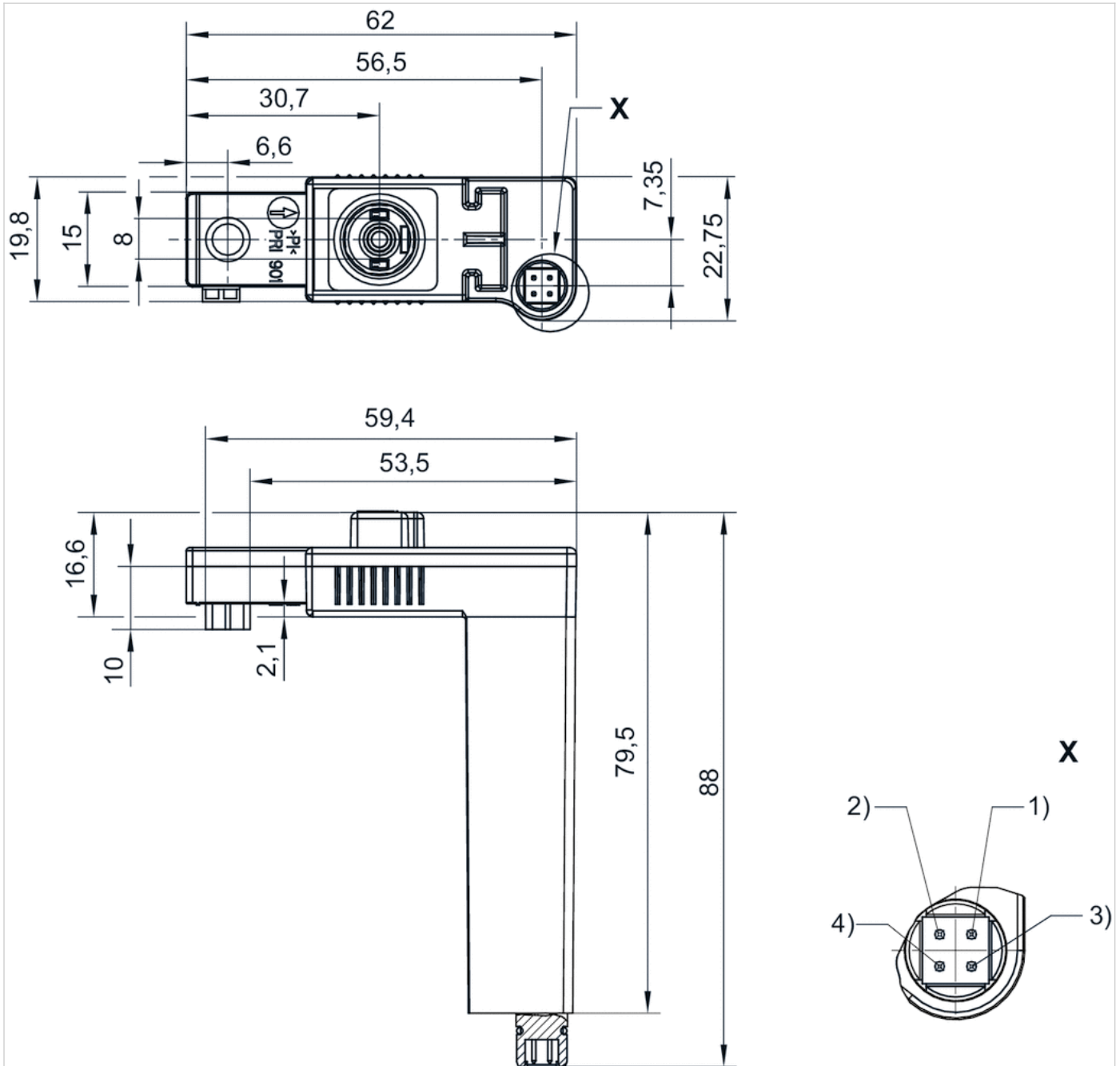
Part No.
R412005847

Technical information

Material	
Housing	Polyester amide
Seals	Fluorocaoutchouc

Dimensions

Dimensions



Pin assignment:

Pin 1: solenoid 14

Pin 2: solenoid 12

Pin 3: ground

Pin 4: 0 V

Contact bridges, series CON-CB

- Plug, 4-pin, straight, 180°
- Socket, form C, 2-pin, straight
- Socket, form C, 2-pin, straight
- Number of solenoid coils 2



Ambient temperature min./max.	-15 ... 50 °C
Protection class	IP65
Operational voltage	24 V DC
Valve LED status display	Yellow
Mounting screw	M2.5 with slot
Tightening torque for mounting screws [+0,05]	0.25 Nm
Weight	0.03 kg

Technical data

Part No.

R412005846

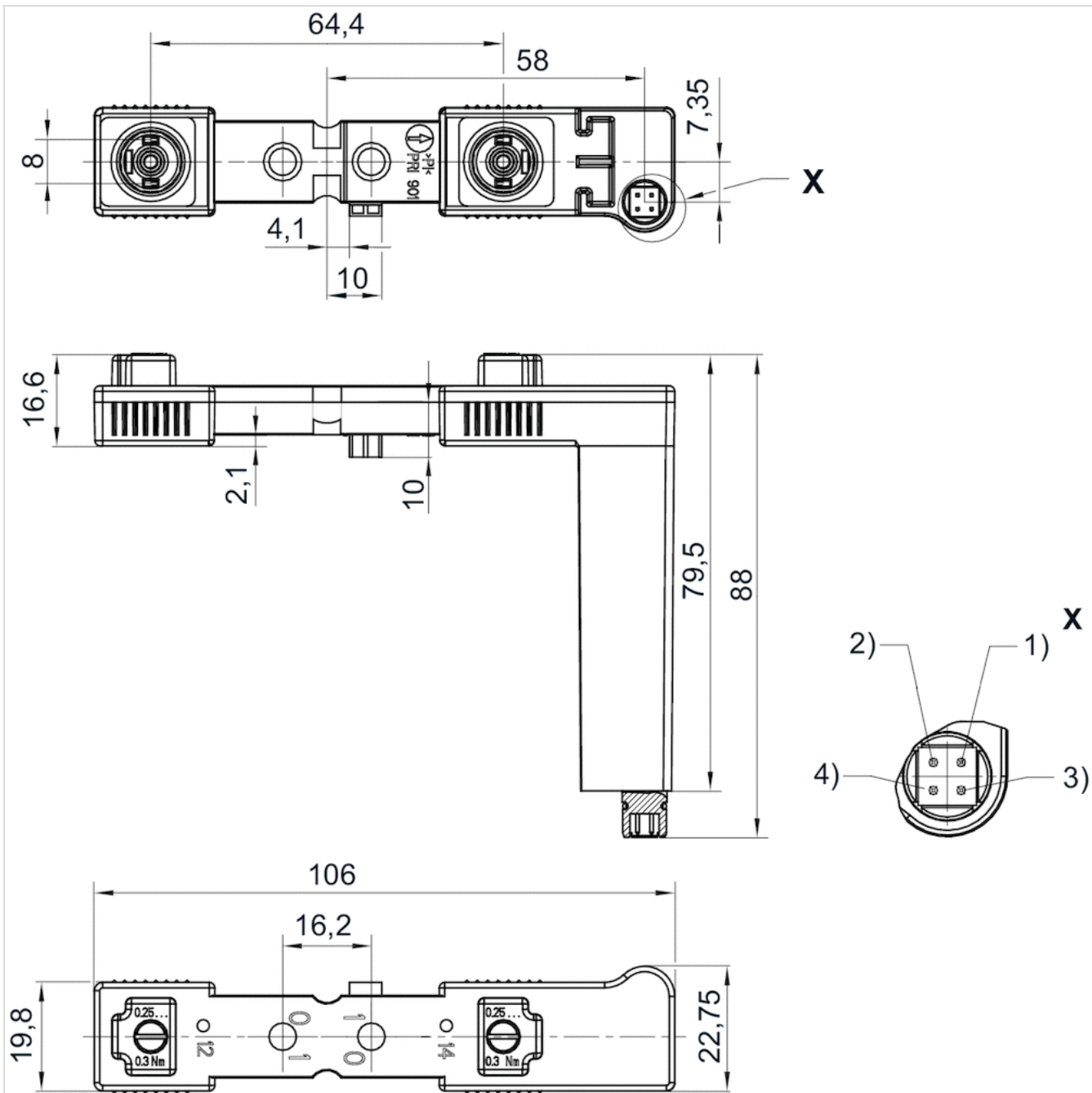
Technical information

Material

Housing	Polyester amide
Seals	Fluorocaoutchouc

Dimensions

Dimensions



Pin assignment:

Pin 1: solenoid 14

Pin 2: solenoid 12

Pin 3: ground

Pin 4: 0 V

Contact bridges, series CON-CB

- Control Snap Ø8
- Plug, 3-pin, straight, 180°
- Socket, form C, 2-pin, straight
- Number of solenoid coils 1



Ambient temperature min./max.	-25 ... 75 °C
Protection class	IP65
Operational voltage	24 V DC
Valve LED status display	Yellow
Mounting screw	M2.5 with slot
Tightening torque for mounting screws [+0,05]	0.25 Nm
Weight	0.012 kg

Technical data

Part No.	Wire cross-section
5763503183	0.14 mm ²

Technical information

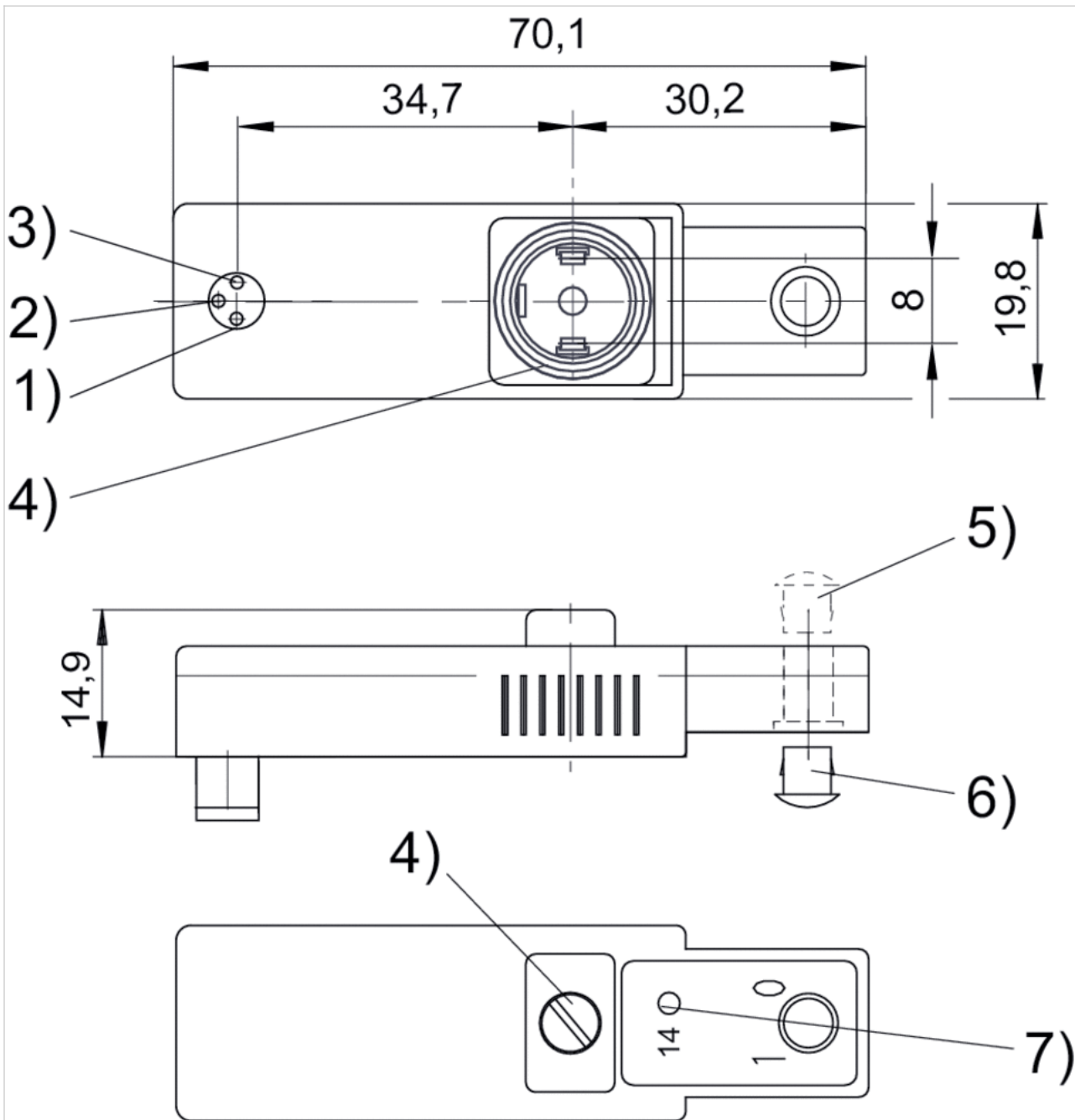
The specified protection class is only valid in assembled and tested state.

Technical information

Material	
Housing	Polyester amide
Seals	Fluorocaoutchouc

Dimensions

Dimensions



- 1) solenoid 14 2) not assigned 3) 0 V
 4) captive seal and screw 5) sealing cap for manual override not removable 6) removable 7) LED valve

Contact bridges, series CON-CB

- Control Snap Ø8
- Plug, 3-pin, straight, 180°
- Socket, form C, 2-pin, straight
- Socket, form C, 2-pin, straight
- Number of solenoid coils 2



Ambient temperature min./max.	-25 ... 75 °C
Protection class	IP65
Operational voltage	24 V DC
Valve LED status display	Yellow
Mounting screw	M2.5 with slot
Tightening torque for mounting screws [+0,05]	0.25 Nm
Weight	0.019 kg

Technical data

Part No.	Wire cross-section
5763503193	0.14 mm ²

Technical information

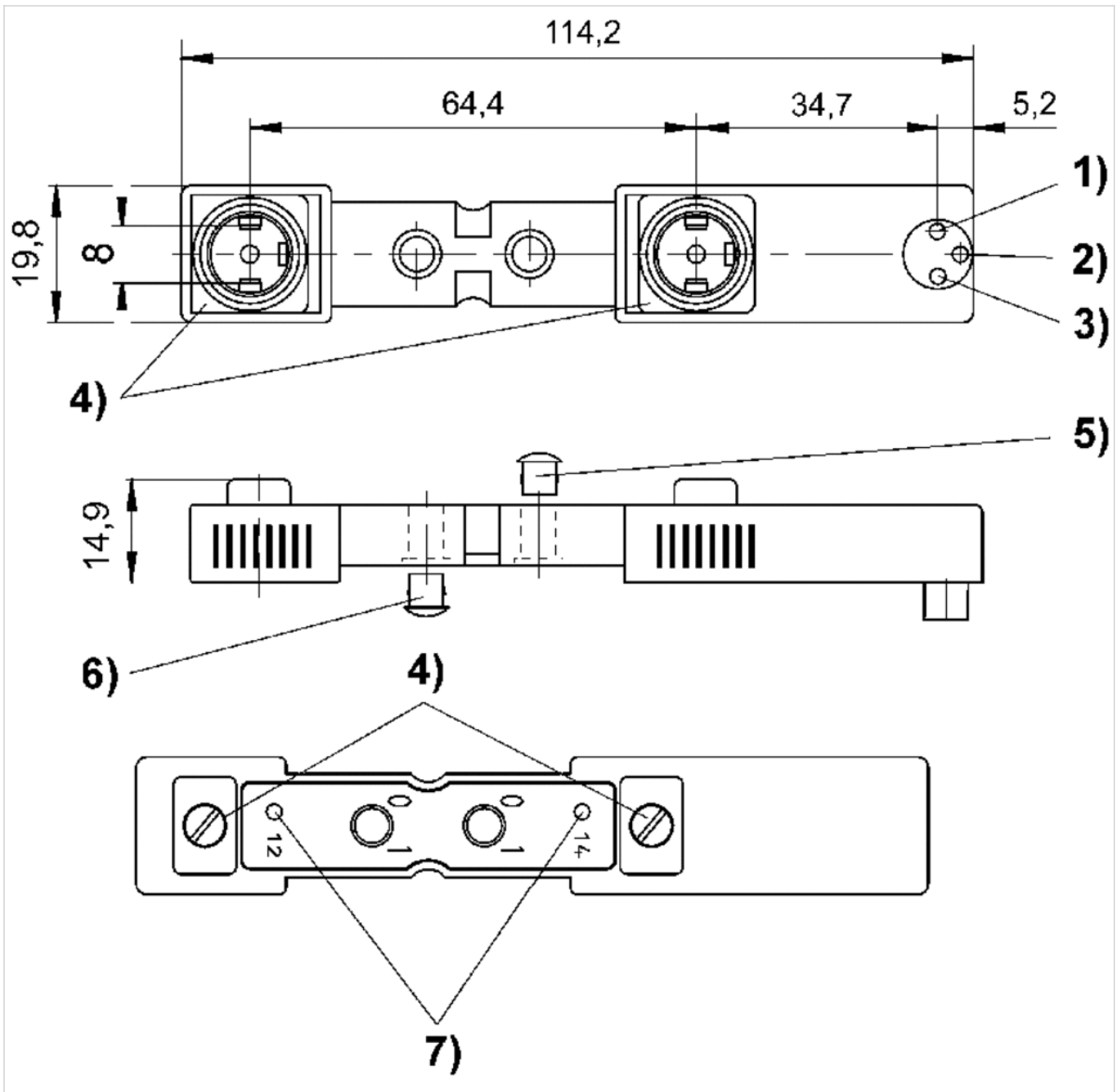
The specified protection class is only valid in assembled and tested state.

Technical information

Material	
Housing	Polyester amide
Seals	Fluorocaoutchouc

Dimensions

Dimensions



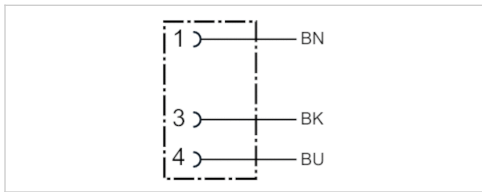
- 1) solenoid 14 2) solenoid 12 3) 0 V
- 4) captive seal and screw 5) sealing cap for manual override not removable 6) removable 7) LED valve

Round plug connector, Series CON-RD

- Socket Snap Ø8 3-pin with detent straight 180°
- open cable ends
- with cable
- unshielded



Operational voltage	48 V AC/DC
Protection class	IP65
Wire cross-section	0.25 mm ²
Weight	0.058 kg



Technical data

Part No.	Max. current	Number of wires	Cable-Ø	Cable length
8946016112	3 A	3	4.5 mm	2.5 m

Technical information

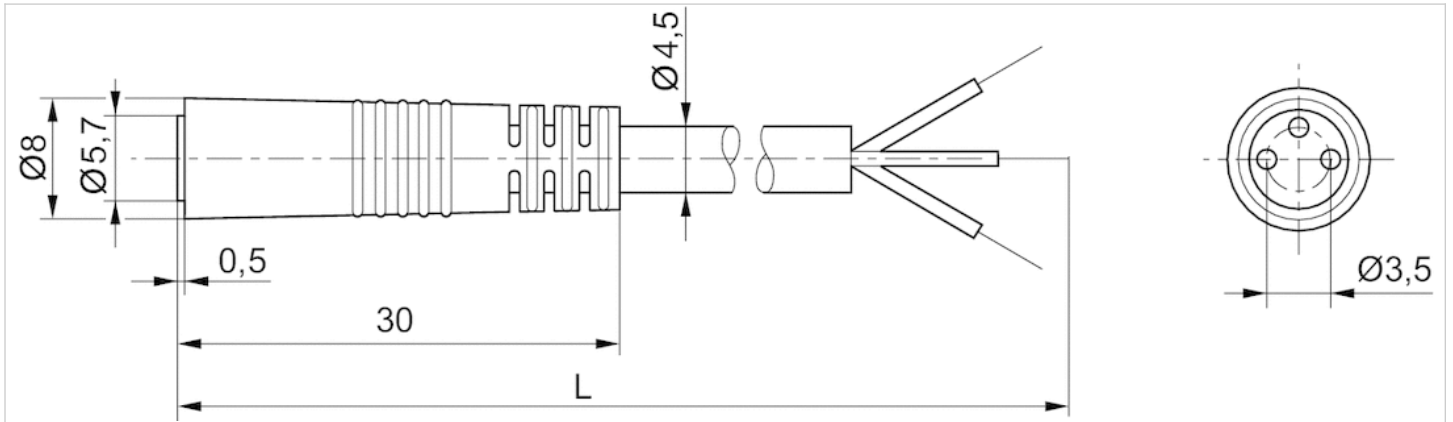
The specified protection class is only valid in assembled and tested state.

Technical information

Material	
Cable sheath	Polyvinyl chloride

Dimensions

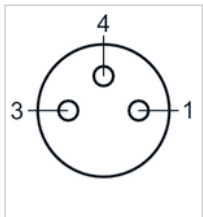
Dimensions



L = length

Pin assignments

Pin assignment, socket



- (1) BN=brown
- (2) BK=black
- (3) BU=blue

Adapter, Series CON-VP

- from form A to form C
- Socket, straight, 180°
- Plug, straight, 180°
- unshielded



Ambient temperature min./max.	-25 ... 50 °C
Operational voltage	42 V DC
Protection class	IP65
Protection class	IP65
Weight	0.013 kg

Technical data

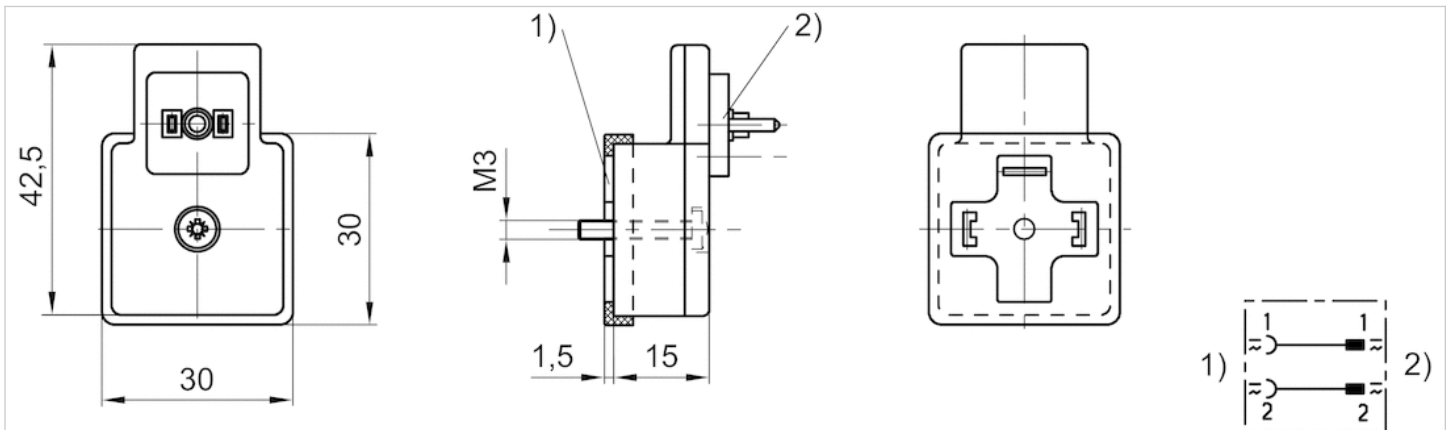
Part No.	Version	Max. current
8946053622	from form A to form C	0.5 A

Technical information

Material	
Housing	Polyamide

Dimensions

Dimensions



1) contact as per DIN EN 175301-803, form A
 2) contact as per DIN EN 175301-803, form C

Blanking plug, series CON-CB



Ambient temperature min./max. -15 ... 50 °C
 Protection class IP65
 Weight 0.006 kg

Technical data

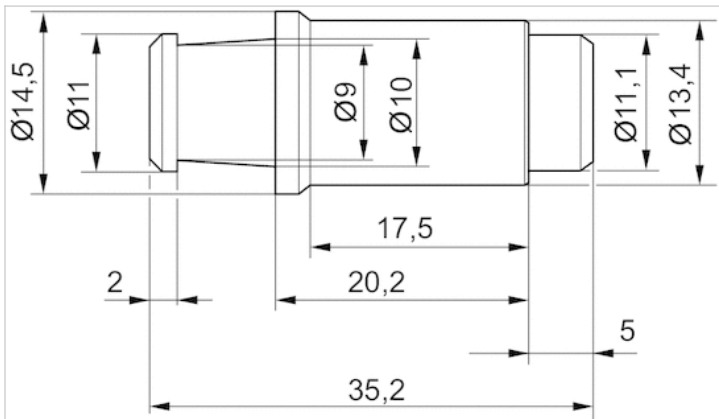
Part No.	Type
5763500414	for series CD01-PL

Technical information

Material	
Housing	Polyoxymethylene

Dimensions

Dimensions



Sealing cap for manual override



Weight

0.003 kg

The delivered product may vary from that in the illustration.

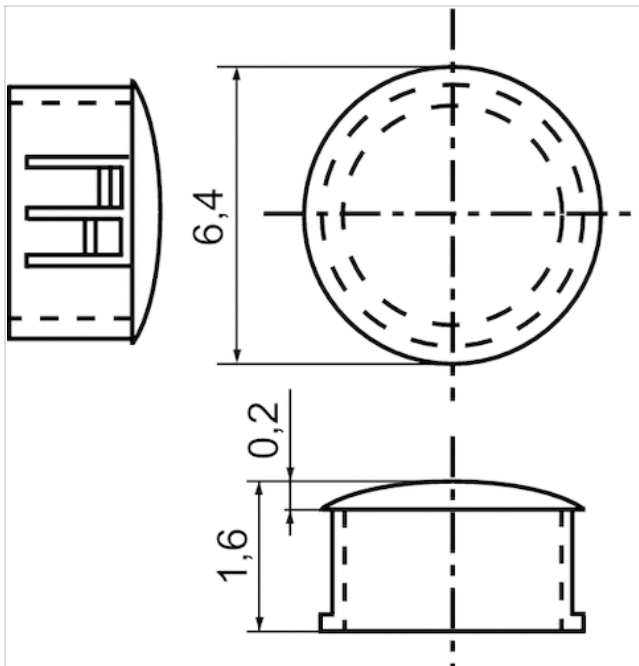
Technical data

Part No.	Delivery unit
8980122904	10 piece

Technical information

Material	
Housing	Polyamide

Dimensions



Efficient pneumatic solutions, our program: cylinders and drives, valves and valve systems, air supply management



Visit us: Emerson.com/Aventics

Your local contact: Emerson.com/contactus



Emerson.com



Facebook.com/EmersonAutomationSolutions



LinkedIn.com/company/Emerson-Automation-Solutions



Twitter.com/EMR_Automation

An example configuration is depicted on the title page. The delivered product may thus vary from that in the illustration. Subject to change. This Document, as well as the data, specifications and other information set forth in it, are the exclusive property of AVENTICS GmbH. It may not be reproduced or given to third parties without its consent. Only use the AVENTICS products shown in industrial applications. Read the product documentation completely and carefully before using the product. Observe the applicable regulations and laws of the respective country. When integrating the product into applications, note the system manufacturer's specifications for safe use of the product. The data specified only serve to describe the product. No statements concerning a certain condition or suitability for a certain application can be derived from our information. The information given does not release the user from the obligation of own judgment and verification. It must be remembered that the products are subject to a natural process of wear and aging.

The Emerson logo is a trademark and service mark of Emerson Electric Co. Brand logotype are registered trademarks of one of the Emerson family of companies. All other marks are the property of their respective owners. © 2017 Emerson Electric Co. All rights reserved.
2019-03



CONSIDER IT SOLVED™



青岛秉诚自动化设备有限公司
地址：中国·青岛市重庆南路99号海尔云街甲3号楼7F

服务热线：4006-918-365
网址：<http://www.ivalve.cc>

传真：(86-532)585-10-365
Email：sales@bechinas.com