

## Distributors and distributor strips



AVENTICS™ Distributors and distributor strips



# Distribution block

- Distributor 2x

- M5 G 1/8 G 1/4 G 3/8 G 1/2



Working pressure min./max.

0 ... 16 bar

Ambient temperature min./max.

-10 ... 70 °C

Weight

See table below

## Technical data

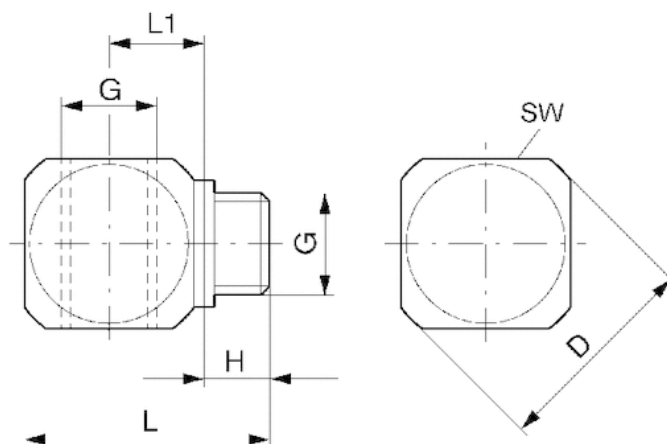
Part No.	Port G	Delivery unit	Weight
1823391096	M5	10 piece	0.006 kg
1823391097	G 1/8	10 piece	0.01 kg
1823391098	G 1/4	10 piece	0.018 kg
1823391099	G 3/8	5 piece	0.032 kg
1823391383	G 1/2	2 piece	0.075 kg

## Technical information

Material	
Material	Brass galvanized Aluminum anodized
Seal	Polyvinyl chloride
Seal Surface	hard

## Dimensions

### Dimensions



## Dimensions

Part No.	G	D	H	L	L1	SW
1823391096	M5	12.5	5	15	5.5	10
1823391097	G 1/8	20	7	24	9	15
1823391098	G 1/4	28.5	10	30	11	22
1823391099	G 3/8	35	10	33	12.5	27
1823391383	G 1/2	46	12	41.5	16	36

# Elbow distributor

- Distributor 2x
- M5 G 1/8 G 1/4 G 3/8 G 1/2



Working pressure min./max.                    0 ... 16 bar  
 Ambient temperature min./max.            -10 ... 70 °C  
 Weight    See table below

## Technical data

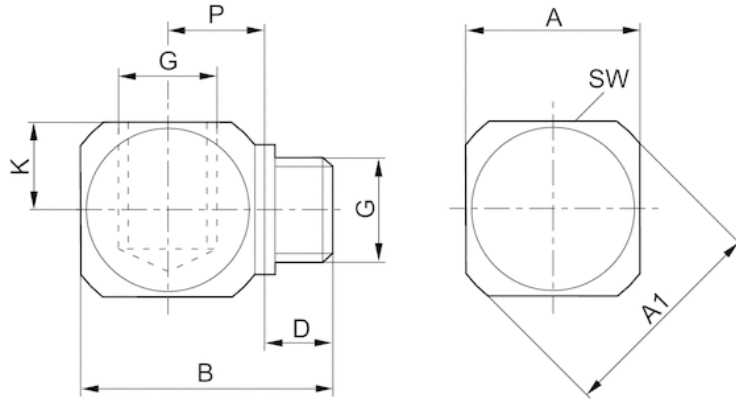
Part No.	Port G	Delivery unit	Weight
1823391092	M5	10 piece	0.007 kg
1823391093	G 1/8	10 piece	0.01 kg
1823391094	G 1/4	10 piece	0.02 kg
1823391095	G 3/8	5 piece	0.034 kg
1823391384	G 1/2	2 piece	0.08 kg

## Technical information

Material	
Material	Brass galvanized Aluminum anodized
Seal	Polyvinyl chloride
Seal Surface	hard

## Dimensions

### Dimensions



## Dimensions

Part No.	G	A	A1	B	D	K	P	SW
1823391092	M5	10	12.5	15	5	7	4.5	10
1823391093	G 1/8	15	20	24	7	11	8	15
1823391094	G 1/4	22	28.5	30	10	16	10	22
1823391095	G 3/8	27	35	33	10	21	11.5	27
1823391384	G 1/2	36	46	41.5	12	30	15	36

# T-swivel distributor

- Distributor 2x

- G 1/8 G 1/4 G 3/8 G 1/2



Working pressure min./max.

0 ... 16 bar

Ambient temperature min./max.

-10 ... 70 °C

Weight

See table below

## Technical data

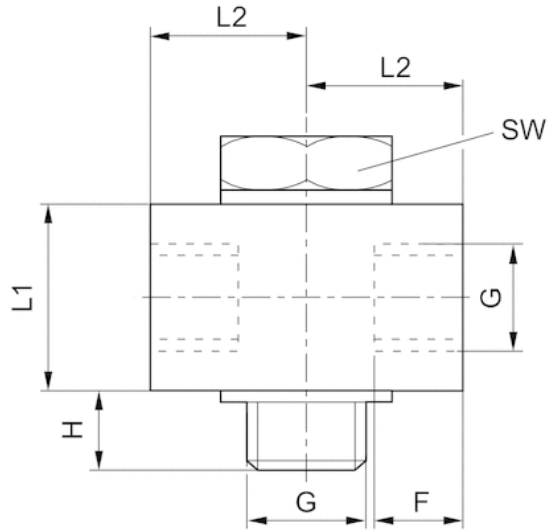
Part No.	Port G	Delivery unit	Weight
1823391049	G 1/8	5 piece	0.02 kg
1823391050	G 1/4	5 piece	0.025 kg
1823391481	G 3/8	2 piece	0.044 kg
1823391482	G 1/2	2 piece	0.086 kg

## Technical information

Material	
Material	Aluminum anodized
Seal	Polyvinyl chloride
Seal Surface	hard
Banjo bolt	Brass

## Dimensions

### Dimensions



## Dimensions

Part No.	G	F	H	L1	SW
1823391049	G 1/8	9,5	14	15	14
1823391050	G 1/4	13	19.5	20	17
1823391481	G 3/8	10	26	24	22
1823391482	G 1/2	12	31.5	30	27

# Elbow swivel distributor

- Distributor 2x

- G 1/8 G 1/4 G 3/8 G 1/2



Working pressure min./max.

0 ... 16 bar

Ambient temperature min./max.

-10 ... 70 °C

Weight

See table below

## Technical data

Part No.	Port G	Delivery unit	Weight
1823391047	G 1/8	10 piece	0.015 kg
1823391048	G 1/4	5 piece	0.02 kg
1823391479	G 3/8	2 piece	0.04 kg
1823391480	G 1/2	2 piece	0.075 kg

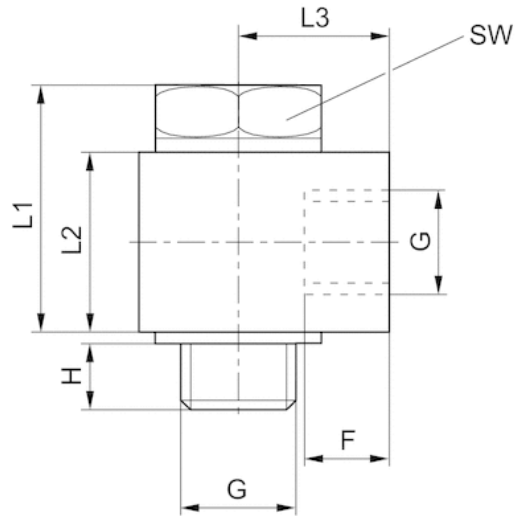
## Technical information

Material	
Material	Aluminum anodized
Seal	Polyvinyl chloride
Seal Surface	hard
Banjo bolt	Brass



## Dimensions

### Dimensions



## Dimensions

Part No.	G	F	H	L1	L2	L3	SW
1823391047	G 1/8	9.5	7.8	20.2	15	14	14
1823391048	G 1/4	13	10	26.8	20	19.5	17
1823391479	G 3/8	10	6.85	29.2	22	23	22
1823391480	G 1/2	12	8.85	35.7	28	27.5	27

# Multiple connector

- Distributor 3x

- G 1/8 G 1/4 G 3/8 G 1/2



Working pressure min./max.

0 ... 16 bar

Ambient temperature min./max.

-20 ... 80 °C

## Technical data

Part No.	Port G
R412010004	G 1/8
R412010003	G 1/4
R412010005	G 3/8
R412010002	G 1/2

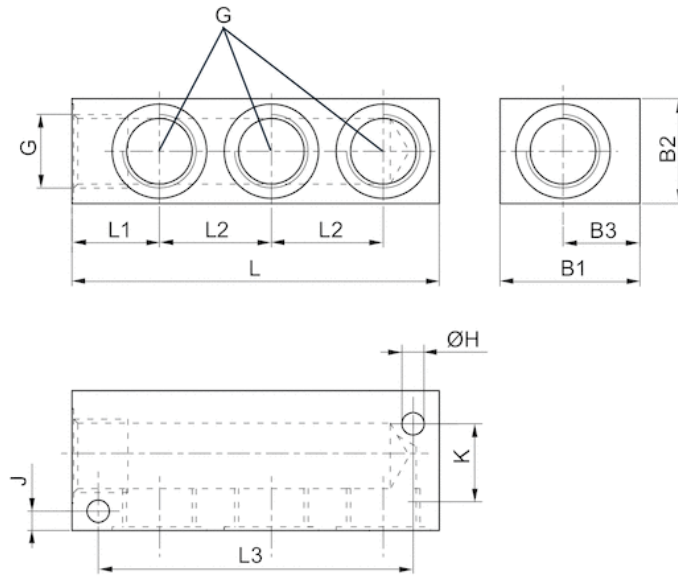
## Technical information

Material

Material	Aluminum anodized
----------	-------------------

## Dimensions

### Dimensions



## Dimensions

Part No.	G	B1	B2	B3	ØH	J	K	L	L1	L2	L3
R412010004	G1/8	20	20	12	4.4	3.5	13	56	13.5	17	46
R412010003	G1/4	30	30	17	6.4	6.5	17	89	20	29	74
R412010005	G3/8	40	30	19	6.4	5.5	20	85	20	26	72
R412010002	G1/2	40	30	22	6.4	5.5	25	105	25	32	90

# Cross connection

- Distributor 4x

- M5 G 1/8 G 1/4 G 3/8 G 1/2



Working pressure min./max.

0 ... 16 bar

Ambient temperature min./max.

-20 ... 80 °C

Weight

See table below

## Technical data

Part No.	Port G	Delivery unit	Weight
1823390040	M5	2 piece	0.008 kg
1823390041	G 1/8	2 piece	0.031 kg
1823390042	G 1/4	2 piece	0.047 kg
1823390043	G 3/8	1 piece	0.078 kg
1823390044	G 1/2	1 piece	0.12 kg

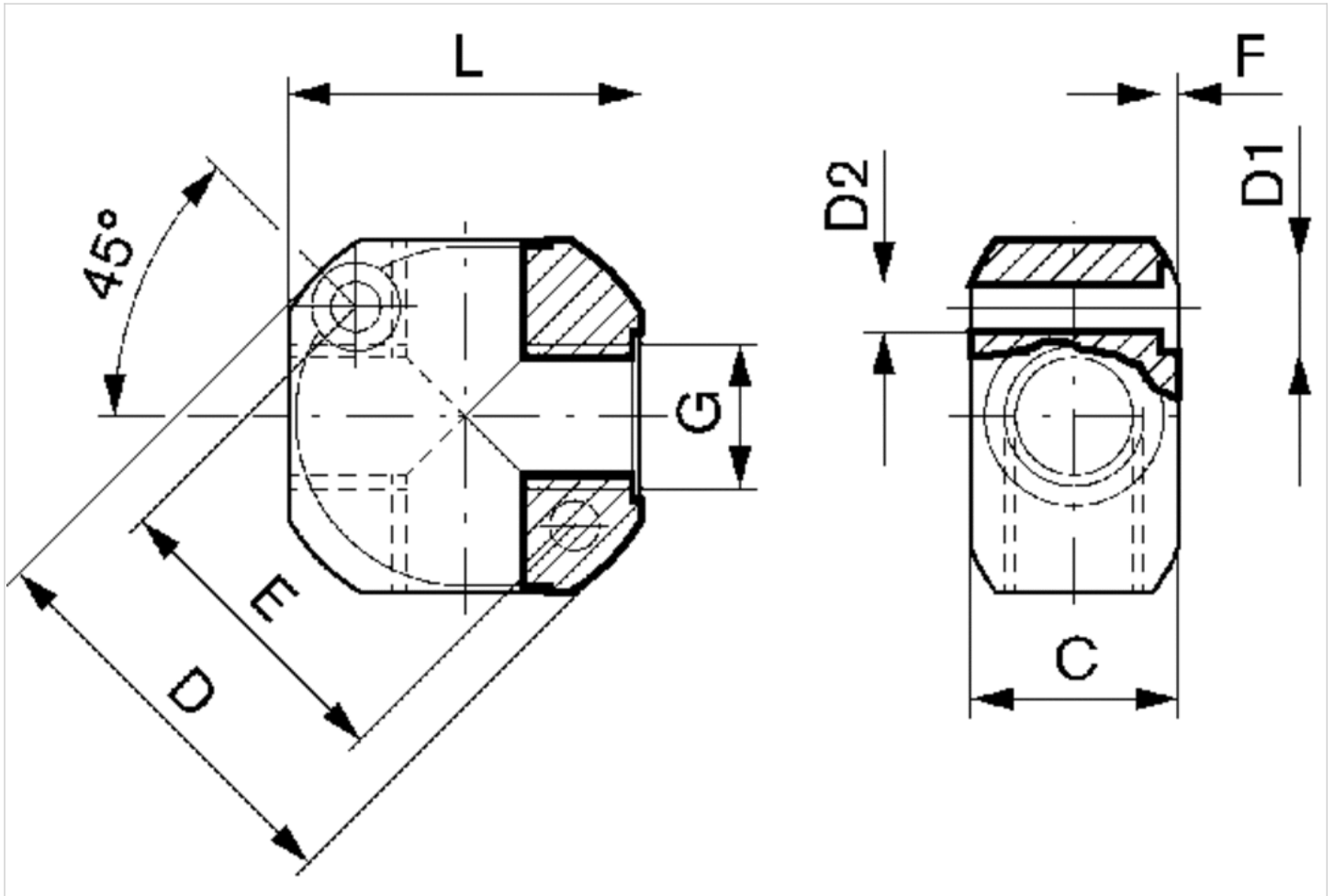
## Technical information

Material

Material	Brass galvanized Aluminum anodized
----------	------------------------------------

## Dimensions

### Dimensions



## Dimensions

Part No.	G	C	D	D1	D2	E	F	L
1823390040	M5	10	25	7.4	4.3	17	1.5	22
1823390041	G 1/8	18	36	7.4	4.3	28	1.5	30
1823390042	G 1/4	21	43	7.4	4.3	33	1.5	36
1823390043	G 3/8	25	50	9.4	5.3	39	2	40
1823390044	G 1/2	30	60	10.4	6.4	48	2.5	50

# Multiple connector

- Distributor 9x
- G 1/8 G 3/8 G 1/2



Working pressure min./max.

0 ... 16 bar

Ambient temperature min./max.

-20 ... 80 °C

Weight

See table below

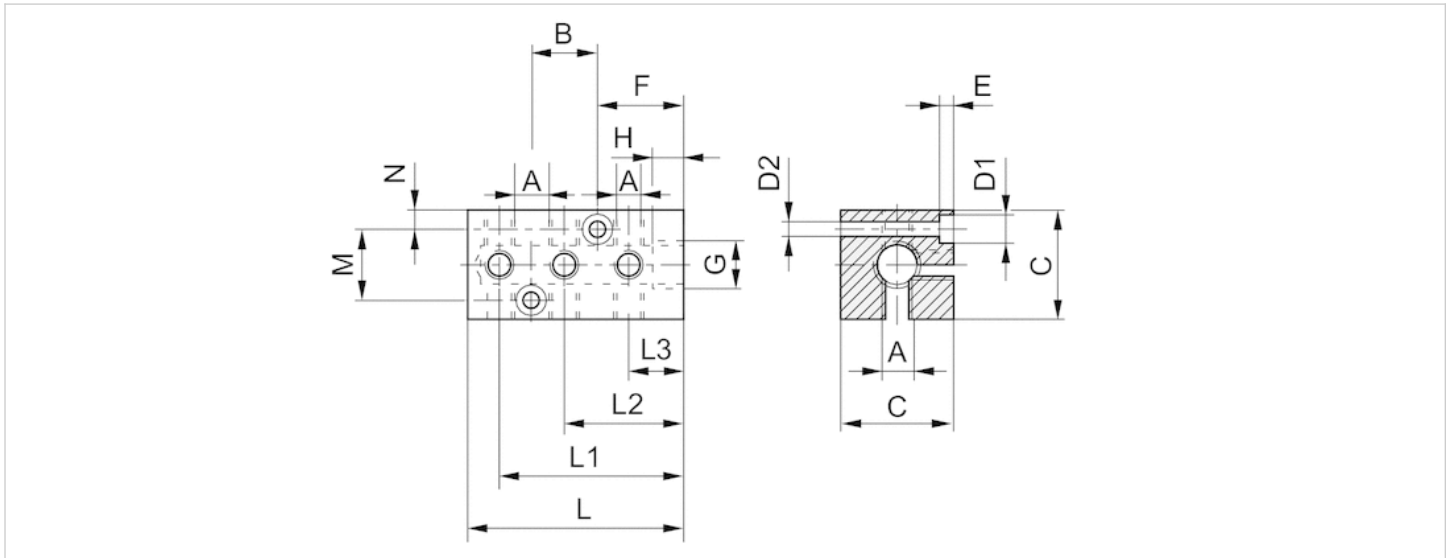
## Technical data

Part No.	Port G	Port	Delivery unit	Weight
1823390045	G 1/8	M5	1 piece	0.046 kg
1823390046	G 3/8	G 1/8	1 piece	0.15 kg
1823390047	G 1/2	G 1/4	1 piece	0.265 kg

## Technical information

Material	
Material	Aluminum anodized

## Dimensions



## Dimensions

Part No.	G	A	B	C	D1	D2	E	F	H	L	L1	L2	L3	M	N
1823390045	G1/8	M5	18	20	7.5	4.5	4	18	7	50	42	27	12	12	4
1823390046	G3/8	G1/8	28	30	9	5.5	5	30	12	80	68	44	20	19.5	5.2
1823390047	G1/2	G1/4	34	36	10.5	6.5	6	36	14	100	83	53	23	24	6

# Multiple connector

- Distributor 6x

- G 3/8 G 3/4



Working pressure min./max.

0 ... 16 bar

Ambient temperature min./max.

-20 ... 80 °C

## Technical data

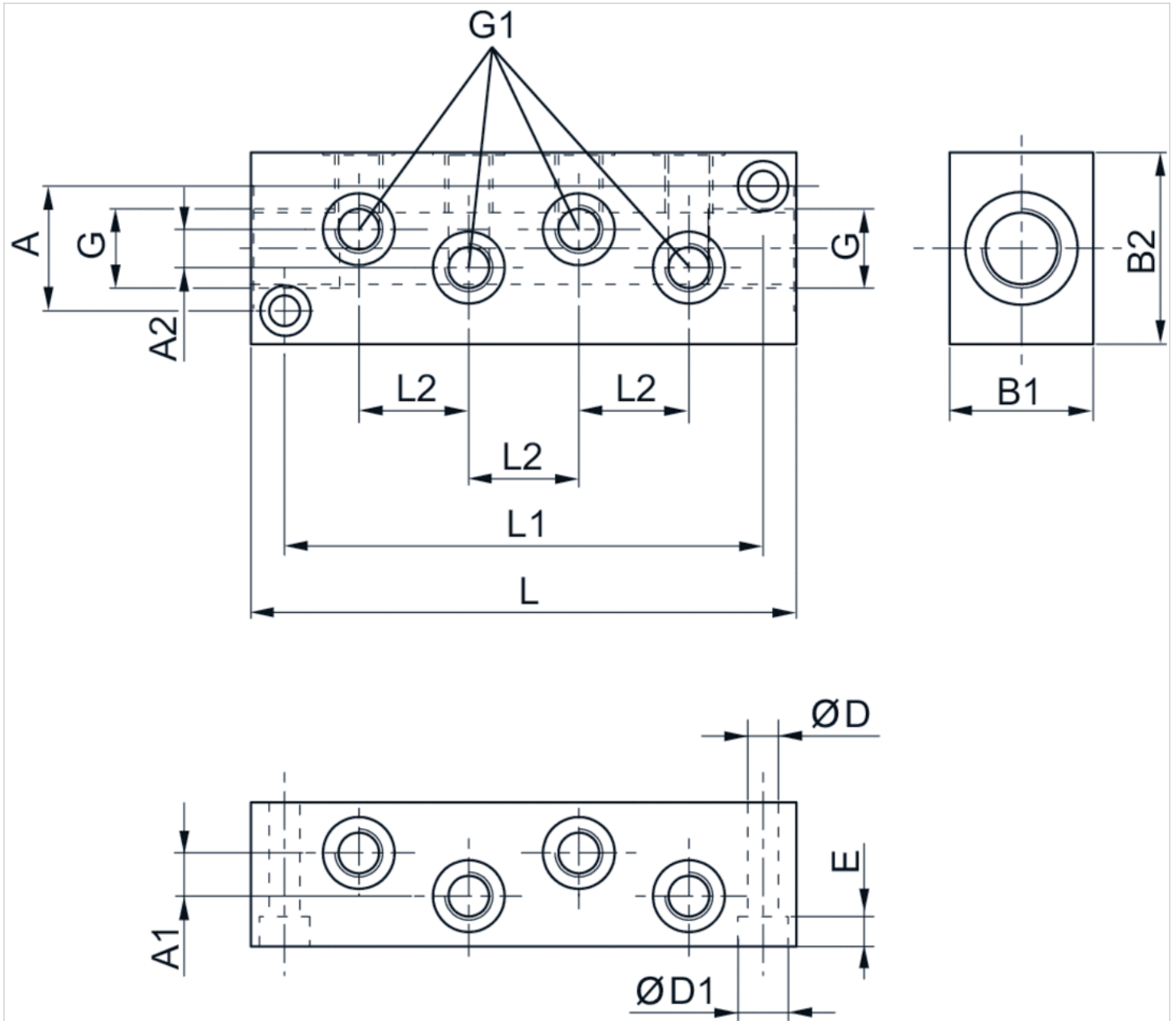
Part No.	Port G
R412010007	G 3/8
R412010006	G 3/4

## Technical information

Material	
Material	Aluminum anodized



## Dimensions



## Dimensions

Part No.	G	G1	A	A1	A2	B1	B2	ØD	ØD1	E	L	L1	L2
R412010007	G3/8	G1/8	26	8	8	30	40	6.5	10.5	6.2	114	100	23
R412010006	G3/4	G1/2	40	6	6	45	60	8.5	15	6.2	170	150	36

# Efficient pneumatic solutions, our program: cylinders and drives, valves and valve systems, air supply management



Visit us: [Emerson.com/Aventics](http://Emerson.com/Aventics)

Your local contact: [Emerson.com/contactus](http://Emerson.com/contactus)



[Emerson.com](http://Emerson.com)



[Facebook.com/EmersonAutomationSolutions](https://Facebook.com/EmersonAutomationSolutions)



[LinkedIn.com/company/Emerson-Automation-Solutions](https://LinkedIn.com/company/Emerson-Automation-Solutions)



[Twitter.com/EMR\\_Automation](https://Twitter.com/EMR_Automation)

An example configuration is depicted on the title page. The delivered product may thus vary from that in the illustration. Subject to change. This Document, as well as the data, specifications and other information set forth in it, are the exclusive property of AVENTICS GmbH. It may not be reproduced or given to third parties without its consent. Only use the AVENTICS products shown in industrial applications. Read the product documentation completely and carefully before using the product. Observe the applicable regulations and laws of the respective country. When integrating the product into applications, note the system manufacturer's specifications for safe use of the product. The data specified only serve to describe the product. No statements concerning a certain condition or suitability for a certain application can be derived from our information. The information given does not release the user from the obligation of own judgment and verification. It must be remembered that the products are subject to a natural process of wear and aging.

The Emerson logo is a trademark and service mark of Emerson Electric Co. Brand logotype are registered trademarks of one of the Emerson family of companies. All other marks are the property of their respective owners. © 2017 Emerson Electric Co. All rights reserved.  
2019-03



## CONSIDER IT SOLVED™



青岛秉诚自动化设备有限公司  
地址：中国·青岛市重庆南路99号海尔云街甲3号楼7F

服务热线：4006-918-365  
网址：<http://www.ivalve.cc>

传真：(86-532)585-10-365  
Email：[sales@bechinas.com](mailto:sales@bechinas.com)