

Features

- Designed to pilot large dust collector pulse valves
- For individual installation or mounting in panel enclosure
- Brass bodied valve has threaded exhaust port for optional muffler installation, and screw or leaded terminals
- Plastic body valve designed for plastic or metallic tubing, has spade terminals
- All with bubble-tight seals
- Zero minimum pressure

Construction

Valve Parts in Contact with Fluids	
Body	Brass or PA, as listed
Seals and Discs	NBR
Core Tube	305 Stainless Steel
Core and Plugnut	430F Stainless Steel
Shading Coil	Copper
Springs	302 Stainless Steel

Electrical

Standard Coil and Class of Insulation	Watt Rating and Power Consumption				Spare Coil Part Number		
	DC Watts	AC			General Purpose		Explosionproof
		Watts	VA Holding	VA Inrush	AC	DC	AC
F	-	6	15.6	27.5	99216 (spade)	-	-
F	-	6	15.6	27.5	125472 (screw)	-	-
F	-	6.1	16	30	238210	-	238214
B	-	24.9	34.8	43.2	174879 ①	-	-
F	22	10	17.6	23.2	400135	400135	-

Standard Voltages: 24, 120, 240, 480 volts AC, 60 Hz (or 110, 220 volts AC, 50 Hz), 24 volts DC. Other voltages are available when required.

Note: ① Maximum voltage 120/60. Higher voltages use Class F Coil, 186548.

Solenoid Enclosures

Standard: RedHat II - Watertight, Types 1, 2, 3, 3S, 4, and 4X;
RedHat - Open Frame.

Optional: RedHat II - Explosionproof and Watertight, Types 3, 4, 4X, 6, 6P, 7, and 9. (To order, add prefix "EF" to catalog number.)

See *Optional Features Section* for other available options.



Nominal Ambient Temp. Ranges

8262 Series

AC: -13°F to 131°F (-25°C to 55°C)

DC: -13°F to 104°F (-25°C to 40°C)
-13°F to 131°F (-25°C to 55°C)

Note: Max ambient for explosionproof (EF) is 125°F (52°C) for AC, 131°F (55°C) for DC.

8257 Series

Ambient: AC 0°F to 140°F (-17°C to 60°C)
DC 0°F to 140°F (-17°C to 60°C)

Fluids: AC 0°F to 180°F (-17°C to 82°C)

8260 Series

Ambient: AC constructions: 32°F to 125°F (0°C to 52°C)

Fluids: 32°F to 180°F (0°C to 82°C)

Approvals

8262 Series

CSA certified. UL listed, as indicated.
Meets applicable CE directives.

8257 Series

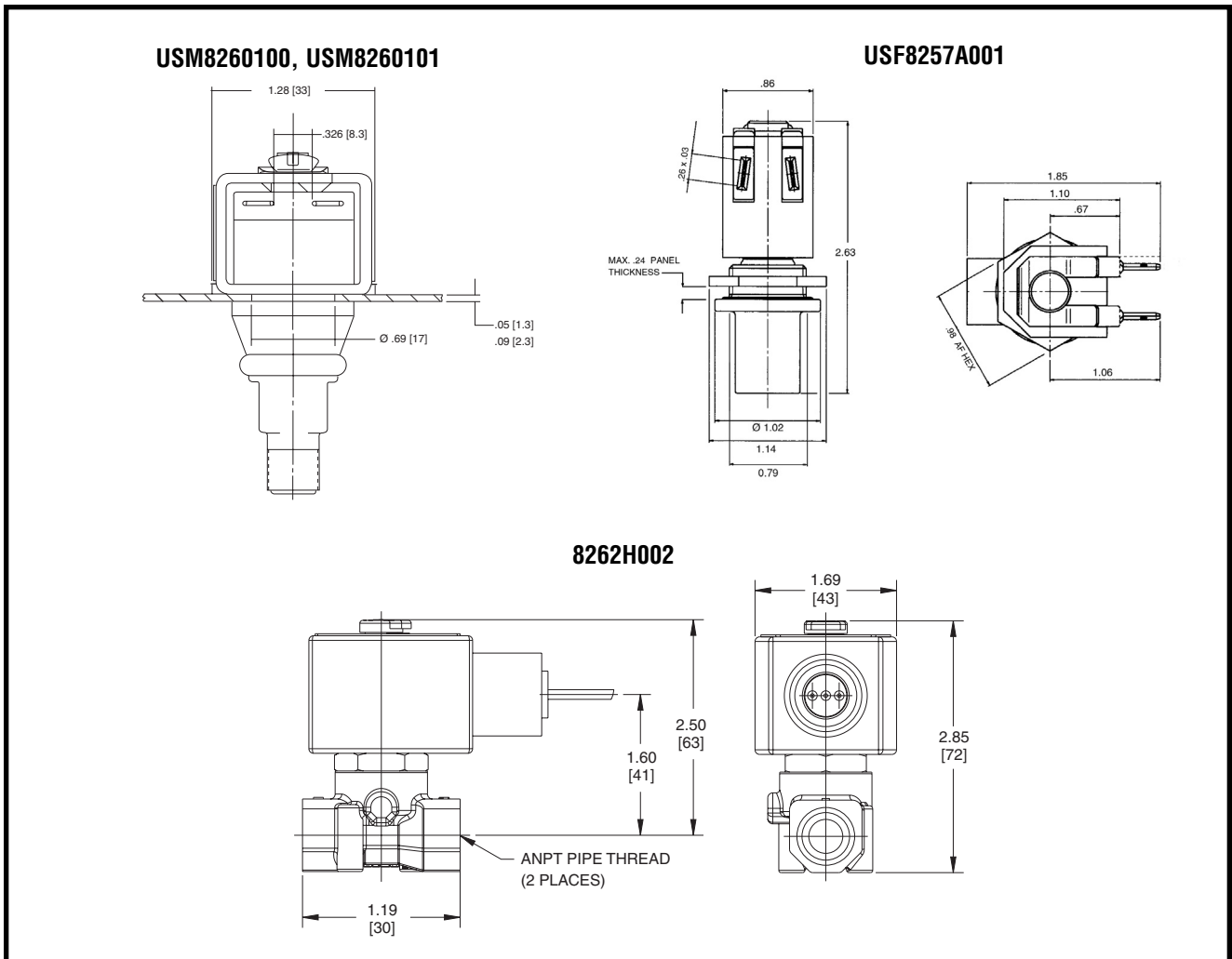
CSA certified, file 10381
UL Recognized, file NP618.

Specifications (English, Metric units)

Pipe Size (in)	Orifice Size (in)	Cv Flow Factor	Kv Flow Factor (m³/h)	Max. Operating Pressure Differential psi (bar)	Catalog Number			Watt Rating/ Class of Coil Insulation	
					RedHat II	RedHat Panel Mount Solenoids with Spade Terminal Coils Standard	RedHat Panel Mount Solenoids with Screw Terminal Coils Standard	AC	DC
NORMALLY CLOSED (Closed when de-energized), Brass Body - AC Only									
1/8	1/8	.34	.29	155 (10.7)	8262H002	-	-	6.1/F	-
1/8	1/8	.34	.29	155 (10.7)	-	PSF8262C002 ④	-	6/F	-
1/8	1/8	.34	.29	150 (10.3)	-	-	PSFX8262C002-17523 ③④	6/F	-
1/8	1/8	.35	.29	125 (8.6)	-	USF8257A001	-	10/F	22/F
NORMALLY CLOSED (Closed when de-energized), PA Body - AC Only									
1/4 O.D. Comp. ②	1/8	.30	.26	125 (8.6)	-	USM8260100 ①	-	24.9/B	-
1/8 External NPT	1/8	.30	.26	125 (8.6)	-	USM8260101 ①	-	24.9/B	-

① Spade terminal coils are standard. Solenoid will withstand a total energized time of 12 seconds within any 60 second period.
 ② Fittings not supplied with valve. To order, refer to List Price Schedule.
 ③ Gasketed panel mount pilot valve used in pilot valve enclosure HV125468, -69, and -70.
 ④ For dimensional drawing contact local sales office.

Dimensions inches (mm)



SPECIAL SERVICE VALVES