

The 8238 Series is a 2-way pilot operated valve available in Normally Closed and Normally Open constructions. They are available either AC or DC operated with brass bodies. They come standard with DIN connection coils. Options are limited to flying leads, manual operators, and some alternate elastomers. Dedicated constructions of the 8238 Series are suitable for the following applications:

- General Service (air, inert gas, water, and light oil)

### Construction

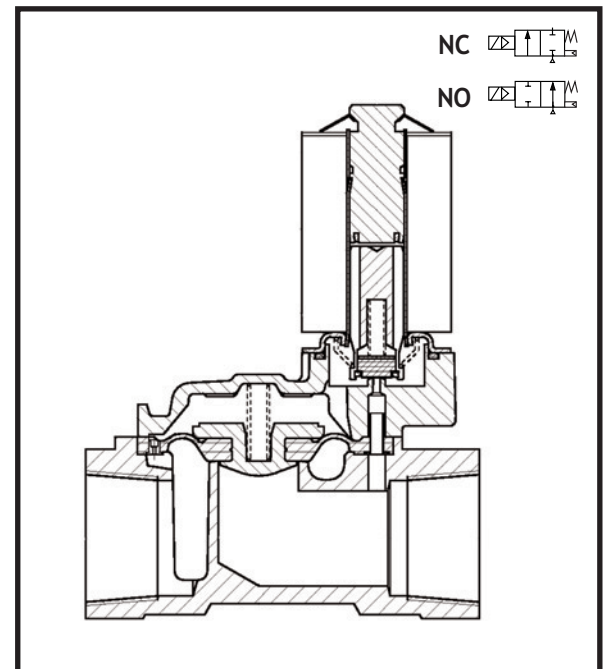
Valve Parts in Contact with Fluids	
General Service	
Body	Brass
Seals and Discs	See Capabilities Chart
Core Tube	Stainless Steel
Core and Plugnut	Stainless Steel
Springs	Stainless Steel
Shading Coil	Copper



### Electrical

Standard Coil Class of Insulation	Watt Rating and Power Consumption				Ambient Temp. °F	DIN Spare Coil Family	DIN Connection Size
	AC						
	DC Watts	Watts	VA Holding	VA Inrush			
A	3.0	-	-	-	15 to 140	Z070A	9.4 mm
F	6.0	6.0	10	16	15 to 140	Z614A	11 mm
F	9.2	9.2	14	23	15 to 140	ZA34A	18 mm
F	13.0	13.0	24	44	15 to 140	Z134A	18 mm
F	17.2	-	-	-	15 to 140	Z914A	18 mm
F	-	21.0	33	65	15 to 140	Z923E	18 mm

**Standard Voltages:** 24, 120, 240 volts AC, 60 Hz (or 110, 230 volts AC, 50 Hz). 12, 24 volts DC (6 DC for 3 watt version). Must be specified when ordering.





Specifications

Pipe Size (ins.)	Orifice Dia. (ins.)	Cv Flow	Operating Pressure Differential (psi)							Max. Fluid Temp. °F	Brass	Const. Ref.	UL <sup>①</sup>	Wattage		Approx. Shipping Weight (lbs.)
			Max. AC			Max. DC								AC	DC	
			Min.	Air - Inert Gas	Water	Light Oil	Air - Inert Gas	Water	Light Oil							
<b>General Service - Normally Closed</b>																
3/8	25/64	1.75	0	145	145	145	75	45	45	195	SC8238S401	1	<input type="checkbox"/>	9.2	9.2	2.0
3/8	7/16	1.99	5	175	175	175	175	175	175	195	SC8238S402	2	<input type="checkbox"/>	6	6	1.7
1/2	1/2	2.46	0	145	145	145	45	45	45	195	SC8238S404	4	<input type="checkbox"/>	13	13	2.3
1/2	9/16	4.45	5	230	230	230	230	230	230	195	SC8238S405	5	<input type="checkbox"/>	6	6	2.0
3/4	3/4	5.60	0	3	3	3	-	-	-	190	SC8238S406	6	<input type="checkbox"/>	13	-	2.3
3/4	11/16	5.27	0	145	145	145	45	45	45	195	SC8238S407	7	<input type="checkbox"/>	13	13	2.7
3/4	11/16	5.85	5	175	175	175	175	175	175	195	SC8238S408	8	<input type="checkbox"/>	6	6	2.3
1	3/4	10.53	0	145	145	145	45	45	45	195	SC8238S409	9	-	21	17.2	5.0
1	15/16	12.87	5	175	175	175	175	175	175	195	SC8238S410	10	<input type="checkbox"/>	6	6	3.5
1 1/4	1 1/4	17.50	7	145	145	145	145	145	145	195	SC8238S411	11	<input type="checkbox"/>	9.2	9.2	4.6
1 1/2	1 3/4	31.50	7	145	145	145	145	145	145	195	SC8238S412	12	<input type="checkbox"/>	9.2	9.2	6.7
2	1 3/4	39.66	7	145	145	145	145	145	145	195	SC8238S413	13	<input type="checkbox"/>	9.2	9.2	7.6
<b>General Service - Normally Open</b>																
3/8	7/16	1.99	5	175	175	175	175	175	175	195	SC8238S414	14	<input type="checkbox"/>	6	6	2.0
1/2	7/16	2.46	5	175	175	175	175	175	175	195	SC8238S415	15	<input type="checkbox"/>	6	6	2.3
3/4	11/16	5.85	5	175	175	175	175	175	175	195	SC8238S416	16	<input type="checkbox"/>	6	6	2.5
1	15/16	12.87	5	175	175	175	175	175	175	195	SC8238S417	17	<input type="checkbox"/>	6	6	3.5
1 1/4	1 1/4	17.50	7	145	145	145	145	145	145	195	SC8238S418	18	<input type="checkbox"/>	9.2	9.2	4.6
1 1/2	1 3/4	31.50	7	145	145	145	145	145	145	195	SC8238S419	19	<input type="checkbox"/>	9.2	9.2	6.7
2	1 3/4	39.66	7	145	145	145	145	145	145	195	SC8238S420	20	<input type="checkbox"/>	9.2	9.2	7.6
<b>General Service - Normally Closed - Latching Model</b>																
3/8	7/16	1.99	5	-	-	-	175	175	175	195	SA8238S421	21	-	-	3	1.7
1/2	9/16	4.45	5	-	-	-	175	175	175	195	SA8238S422	22	-	-	3	2.0
3/4	11/16	5.85	5	-	-	-	175	175	175	195	SA8238S423	23	-	-	3	2.3
1	15/16	12.87	5	-	-	-	175	175	175	195	SA8238S424	24	-	-	3	3.5

= Component Solenoid. <sup>①</sup> With SU or SC prefix only.

Capabilities Chart

Solenoid Options							Base Catalog Number	Resilient Materials							Other		Standard Rebuild Kit		
NEMA Type 3-9	High Temp. (DIN only)	Wiring Box Screw Terminal	Multipin	DIN	Spade	Open Frame with Leads <sup>②</sup>	Brass	NBR	FKM	EPDM	Neoprene	Oxygen Service	PTFE	Urethane	Vacuum	Manual Operator	Mounting Bracket	Brass AC	Brass DC
-	SU	-	-	●	-	OF	SC8238S401	●	V <sup>①</sup>	-	-	-	-	-	-	MO	MB	323185	323185
-	SU	-	-	●	-	OF	SC8238S402	●	V <sup>①</sup>	-	-	-	-	-	-	MO	MB	322955	322955
-	SU	-	-	●	-	-	SC8238S404	●	V	-	-	-	-	-	-	-	-	322957	322957
-	SU	-	-	●	-	OF	SC8238S405	●	V <sup>①</sup>	-	-	-	-	-	-	MO	MB	322959	322959
-	SU	-	-	●	-	-	SC8238S406	●	-	-	-	-	-	-	-	-	-	322961	-
-	SU	-	-	●	-	-	SC8238S407	●	V	-	-	-	-	-	-	-	-	322962	322962
-	SU	-	-	●	-	OF	SC8238S408	●	V <sup>①</sup>	-	-	-	-	-	-	MO	-	322964	322964
-	SU	-	-	●	-	-	SC8238S409	●	V	-	-	-	-	-	-	-	-	322966	322966
-	SU	-	-	●	-	OF	SC8238S410	●	V <sup>①</sup>	-	-	-	-	-	-	MO	-	322968	322968
-	SU	-	-	●	-	OF	SC8238S411	●	V <sup>①</sup>	-	-	-	-	-	-	MO	-	323187	323187
-	SU	-	-	●	-	OF	SC8238S412	●	V <sup>①</sup>	-	-	-	-	-	-	MO	-	323189	323189
-	SU	-	-	●	-	OF	SC8238S413	●	V <sup>①</sup>	-	-	-	-	-	-	MO	-	323191	323191
-	SU	-	-	●	-	OF	SC8238S414	●	V <sup>①</sup>	-	-	-	-	-	-	-	-	322970	322970
-	SU	-	-	●	-	OF	SC8238S415	●	V <sup>①</sup>	-	-	-	-	-	-	-	-	322972	322972
-	SU	-	-	●	-	OF	SC8238S416	●	V <sup>①</sup>	-	-	-	-	-	-	-	-	322974	322974
-	SU	-	-	●	-	OF	SC8238S417	●	V <sup>①</sup>	-	-	-	-	-	-	-	-	322976	322976
-	SU	-	-	●	-	OF	SC8238S418	●	V <sup>①</sup>	-	-	-	-	-	-	-	-	323193	323193
-	SU	-	-	●	-	OF	SC8238S419	●	V <sup>①</sup>	-	-	-	-	-	-	-	-	323195	323195
-	SU	-	-	●	-	OF	SC8238S420	●	V <sup>①</sup>	-	-	-	-	-	-	-	-	323197	323197
-	-	-	-	●	-	-	SA8238S421	●	-	-	-	-	-	-	-	-	-	-	322978
-	-	-	-	●	-	-	SA8238S422	●	-	-	-	-	-	-	-	-	-	-	322979
-	-	-	-	●	-	-	SA8238S423	●	-	-	-	-	-	-	-	-	-	-	322980
-	-	-	-	●	-	-	SA8238S424	●	-	-	-	-	-	-	-	-	-	-	322981

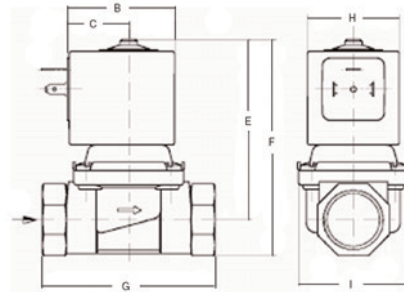
● = Standard. <sup>①</sup> Reduces pressure rating by 25%; <sup>②</sup> Drop the SC when applying the OF prefix.



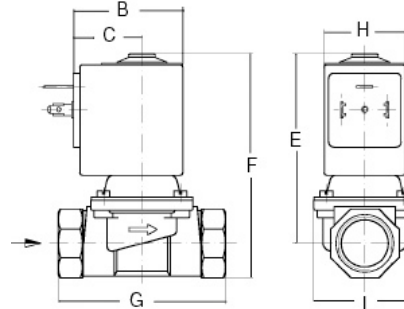
Dimensions: inches

Const. Ref.	A	B	C	D	E	F	G	H	I
1	-	1.63	0.85	-	2.71	3.15	2.36	1.18	1.61
2	-	1.32	0.83	-	2.80	3.23	2.36	0.98	1.57
4	-	1.93	1.10	-	2.93	3.54	2.60	1.65	1.61
5	-	1.32	0.83	-	2.89	3.43	2.60	0.98	1.57
6	-	1.93	1.10	-	3.23	3.88	3.11	1.65	2.01
7	-	1.93	1.10	-	3.19	3.86	3.11	1.65	2.01
8	-	1.32	0.98	-	3.13	3.78	3.11	0.98	1.57
9	-	2.33	1.38	-	3.94	4.76	4.13	1.91	2.80
10	-	1.32	0.83	-	3.66	4.49	4.13	0.98	2.80
11	-	1.69	1.06	-	4.29	5.31	4.45	1.26	3.19
12	-	1.69	1.06	-	4.41	5.59	5.51	1.26	4.33
13	-	1.69	1.06	-	4.61	6.02	6.18	1.26	4.33
14	-	1.32	0.83	-	3.11	3.50	2.36	0.98	1.57
15	-	1.32	0.83	-	3.15	3.68	2.60	0.98	1.57
16	-	1.32	0.83	-	3.39	4.04	3.11	0.98	1.97
17	-	1.32	0.83	-	3.94	4.76	4.13	0.98	2.80
18	-	1.69	1.06	-	4.29	5.31	4.45	1.26	3.19
19	-	1.69	1.06	-	4.41	5.59	5.51	1.26	4.33
20	-	1.69	1.06	-	4.61	6.02	6.18	1.26	4.33
21	-	0.93	0.59	-	2.26	2.76	2.36	0.67	1.57
22	-	0.93	0.59	-	2.36	2.93	2.60	0.67	1.57
23	-	0.93	0.59	-	2.60	3.29	3.11	0.67	1.97
24	-	0.93	0.59	-	3.17	4.02	4.13	0.67	2.80

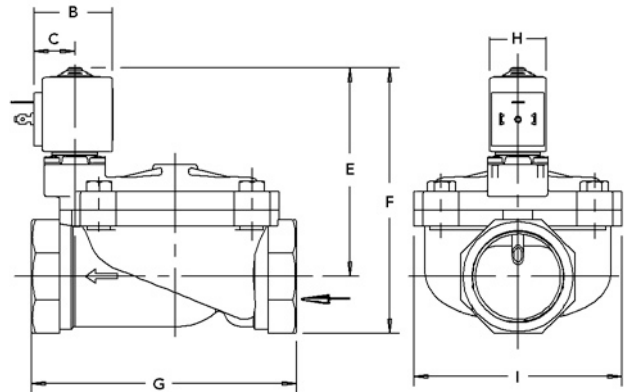
Const. Ref. 1, 4, 7, 9



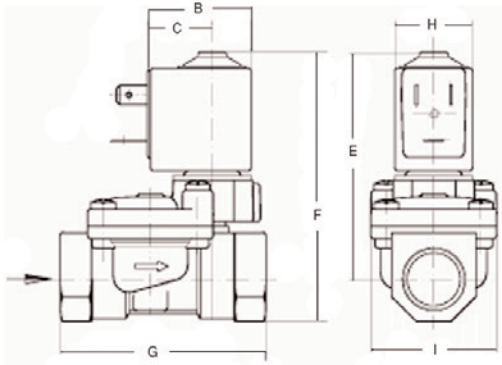
Const. Ref. 6



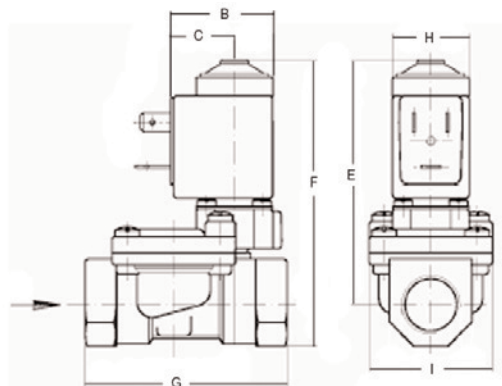
Const. Ref. 11, 12, 13, 18, 19, 20



Const. Ref. 2, 5, 8, 10



Const. Ref. 14, 15, 16, 17



Const. Ref. 21, 22, 23, 24

