

TopWorx™ GO™ Switch

Models 73 and 73M

Series
70

General Description

The GO™ Switch Model 73 is the world's most used and widely trusted leverless limit switch with no external moving parts, no springs or cams, and no reed element. There is nothing to wear or fail.

Features

- Single Pole Double Throw (SPDT) 2A/240VAC, 4A/120VAC, 3A/24VDC
- AC/DC, NO/NC Wiring Flexibility
- -50 °C to +105 °C (-58 °F to +221 °F) operating temperature
- 2.5 mm (0.100 in) Sensing Distance (Ferrous metal)
- Dry Contact
- Intrinsically Safe
- End Sensing
- Palladium Silver Contacts
- Stainless Steel 316L Housings

Options

- High Temperature: -50 °C to +204 °C (-58 °F to +400 °F)
- Pressure Rating: 2,000, 5,000, 10,000 PSI, (140, 345, 690 bars)
- Lead Wires or Cables
- SubSea Connectors
- Hermetic Seal
- Quick Disconnects – Micro or Mini
- 5/8" or M18 metric thread
- Global Hazardous Area Approvals

Approvals

- Ex ia IIC T* Ga; Ex ia IIIC T* Da
IECEX BAS 09.0080X / Baseefa 09ATEX0173X
- PESO P400173 / P473610
EAC RU C-US.ΓΩ02.B.00061
- Ex db IIC T* Gb; Ex tb IIIC T* Db (DIP A21 T*)
IECEX BAS 08.0122X / Baseefa 08ATEX0360X
EAC TC RU C-US.ΓΩ02.B.00063
NEPSI GYJ16.1507X
PESO P396877
KOSHA 14-AV4BO-0160X & 14-AV4BO-0161X
InMetro UL-BR 18.0097X
- Ex db eb IIC T* Gb; Ex tb IIIC T* Db
Baseefa 09ATEX0281X / IECEX BAS 09.0135X
KOSHA 14-KB4BO-0484X
PESO P333425
- USL/CNL Class I, Div 1, GrABCD; Class II, Div 1, GrEFG; Class III
USL/CNL Class I, Div 2, GrABCD; Class II, Div 2, GrFG; Class III
UL File E79070
- USL/CNL General Purpose
UL File E81878
- Ex eC nC IIC T* Gc
IECEX BAS 18.0044X / Baseefa 18ATEX0064X
USL/CNL Class 1, GrABCD High Ambient Temp of 205°C

Environmental Ratings: Type 4, 4X; IP 66/67/68

Conformance to Directives: ATEX 2014/34/EU, EMC 2014/30/EU, LVD 2014/35/EU



Construction

Enclosure Material	316L Stainless Steel
Mounting Thread 73	5/8-18 Threads
Mounting Thread 73M	M18
Conduit Entry	Hex Head
Wiring	Leads, Cables & QDC options

Installation

The 70 Series GO™ Switches can be installed in any position, directly with the threaded body or through mounting kits designed for the application.

TR000438ENUS-01_09-21
Availability, design and specifications are subject to change without notice. All rights reserved.

Ordering Information

Nomenclature guide below. Choose codes for desired feature(s). Not all feature combinations are compatible. Please consult TopWorx or Online "Configure Your Product" guide at www.topworx.com for confirmation.

Codification

	73	-	1	3	5	6	4	-	A2		
Model										Wiring Options	
73	5/8" - 18 mounting thread 1/2" NPT conduit entry									AX(A2 to A8)	18 Gauge , PVC insulated Lead Wires Lengths from (3' to 250')
73M	M18 - 1 mounting thread M20 conduit entry									BX(B2 to B8)	18 Gauge , PVC insulated Cable Lengths from (3' to 250')
Contact Form										FX(F2 to F8)	18 Gauge , Teflon Hi-Temp Lead Wires Lengths from (3' to 250')
1	SPDT Single Pole Double Throw									HX(H2 to H8)	18 Gauge , Peek Hi-Temp Lead Wires Lengths from (3' to 250')
Sensing Range										SX(S2 to S8)	18 Gauge , Silicone Blue Cable Lengths from (3' to 250')
3	Standard sensing .100" end sensing									SubSea Connector	
4	.072" end sensing									3DD	3 pin
5	0.060" end sensing									4DD	4 pin
Outlet Position										3DE	3 pin 90°
5	Bottom of enclosure									4DE	4 pin 90°
Enclosure Material										Quick Disconnect	
6	316L Stainless steel									DCA	3 pin
Area Classification										DCD	4 pin
2	HiTemp to 400°F									Connection Head Terminals	
3	UL Cl I, Div 1, Grps A-D; Cl II, Div 1, Grps E-G; Cl III									JAM	Aluminum, M20 conduit entry
4	cULus Cl I, Div 1, Grps A-D; Cl II, Div 1, Grps E-G; Cl III									JSM	Stainless Steel, M20 conduit entry
5	UL Cl I, Div 2, Grps A-D; Cl II, Div 2, Grps F-G; Cl III									JAP	Aluminum, 1/2" NPT conduit entry
6	cULus Cl I, Div 2, Grps A-D; Cl II, Div 2, Grps F-G; Cl III									JSP	Stainless Steel, 1/2" NPT conduit entry
K	cULus Cl I, Div I; Grps A-D (-40°C ≤ Ta ≤ 205°C)										
7	cUL General Purpose										
8	UL General Purpose										
9	ATEX/IECEX Zone 1										
T	ATEX/IECEX Zone 1										
F	ATEX/IECEX Zone 0										
G	ATEX/IECEX Zone 0										
H	ATEX/IECEX Zone 0										
U	ATEX/IECEX Zone 2										
X	ATEX/IECEX Zone 1										
Y	ATEX/IECEX Zone 1										

TopWorx™ GO™ Switch

Models 73 and 73M

Series
70

Specification

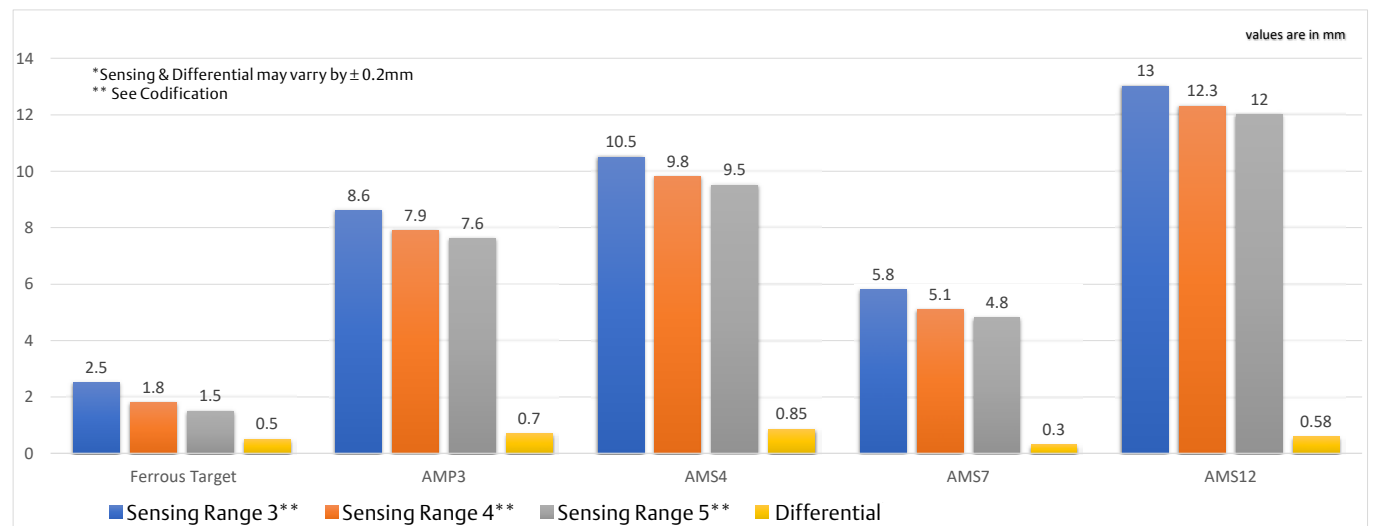
Electrical Ratings	AC	4A@120V/2A@240V
	DC	3A@24V/1.25A@48V
Operation rating examples based on calculation by maintaining the overall power rating		
Contact Resistance	0.5 Ohm Max	
Temperature Range	-65°C to 205°C	
Environmental Rating	TopWorx Certified: IP66/67/68, NEMA 4x/6/6P RoHS Compliant	
Frequency	50Hz	
Response Time	8 milliseconds	
Repeatability	0.002"(0.5mm) typical	
SIL Rating		
MTBF		
System Compatibility	Polarity	NPN & PNP
	Configuration	NO & NC

SIRA IEC 61508 Probability of Operation Confidence Level

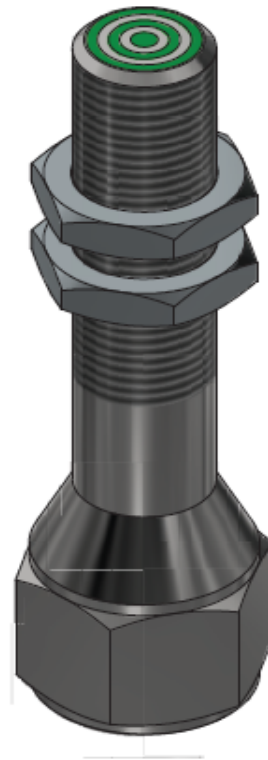
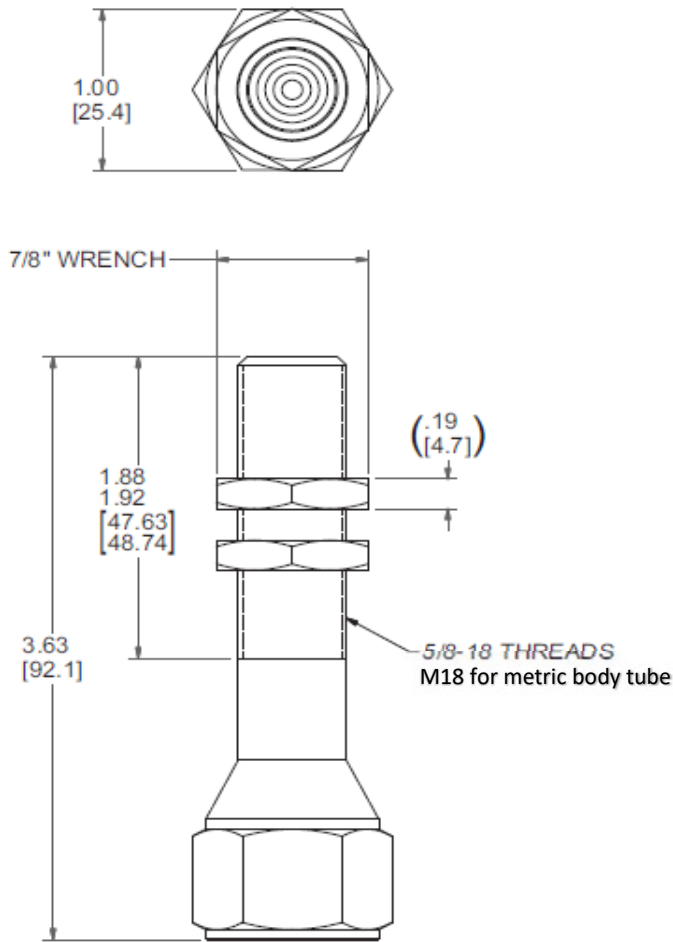
Model	5 Years	15 Years	50 Years
70 Series	99.78%	99.34%	98.44%
Probability of failures/hour: 5.06E-08			
MTBF (Years) – 2,256			
Source: Report 70217010 SIRA Certification Service (CSA Group UK)			

*IEC 61508 standards are lab condition tests. Field conditions and various product features will affect performance. Results are not warranty claims but should be used to assess relative confidence of switch performing

Sensing Distance Graph - Standard and with Optional Target Magnets



Dimensions in inches [mm]



TR000438ENUS-01_09-21