

ASCO™ Direct Mount Inline Spool Valves

Pilot Operated | Direct NAMUR Mount | 1/4" - 1/2" NPT

**3/2, 5/2
SERIES
551, 553**

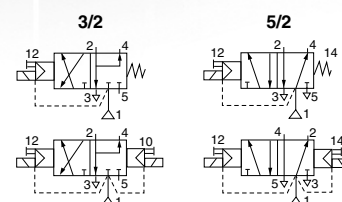
Features

- Compact spool valve convertible from 3/2 to 5/2 with a single flow plate design (551 Series only)
- NAMUR mount construction
- Standard manual operator
- DIN, Watertight and Explosionproof solenoids available
- Single and dual solenoid constructions
- Mountable in any position
- Vents air from spring side of actuator to prevent corrosion of actuator



Construction

Valve Parts in Contact with Fluids	
Body	Black Anodized Aluminum
Spring	Phosphate treated black steel
Shading Coil	Copper
Seals	NBR + PUR
Core and Core Tube	Stainless Steel / Brass
End Covers and Plate	6/6 glass filled PA/FV
Spool	Aluminum
Internal Parts	Zamak, Steel, CA



Electrical

Standard Coil and Class of Insulation	Enclosure Type	Watt Rating and Power Consumption				Spare Coil Part Number	
		DC Watts	AC Watts	VA Holding	VA Inrush	AC	DC
F	SC	3	2.5	3.5	6	400127	400127
F	SC	6.9	5	7	15	400727	400727
F	EF	6.9	6.3	7	10.1	266762	270007
F	WT	6.9	6.3	7	10.1	266763	270008

Standard Voltages: SC: 24, 120, 240 Volts AC, 50-60 Hz; 12, 24, 120 Volts DC.
 WT and EF: 24/50-60HZ, (120/60, 110-120/50)①, (240/60, 220-240/50)② Volts AC; 6, 12, 24, 120 Volts DC.
 ① Order as 120/60, 110/50
 ② Order as 240/60, 220/50

Nominal Ambient Temp. Ranges

SC: AC/DC: 5°F to +140°F (-15°C to 60°C)

EF: AC: 5°F to +104°F (-15°C to 40°C)
 DC: 5°F to +125°F (-15°C to 52°C)

WT: AC: 5°F to +140°F (-15°C to 60°C)
 DC: 5°F to +125°F (-15°C to 52°C)

Note: For temperatures below 32°F (0°C) moisture-free air must be used.

Refer to Engineering Section for details.

Approvals

SC: (2.5W and 3W only) UL recognized component, CSA certified. (551Series only)

WT: UL listed, CSA certified. (551 Series only)

EF: UL and CSA listed solenoid.

Meets applicable CE directives.

SIL 3 capable per IEC 61508 on normally closed single solenoid. Third party certification provided by EXIDA.

Refer to Engineering Section for details.

Solenoid Enclosures

Standard: - Prefix

SC = IP65 type DIN (open frame) per 46244

WT = Combination General Purpose and Watertight Types 1, 2, 3, 3S, 4, and 4X

EF = Combination Explosionproof and Watertight Types 3, 3S, 4, 4X, 6, 5P, 7, 9 Class I, Div. 1 (Groups A - D) and Class II, Div. 1 Type 9 (Groups E-G)

VALVE
AUTOMATION

Specifications English units (Metric)

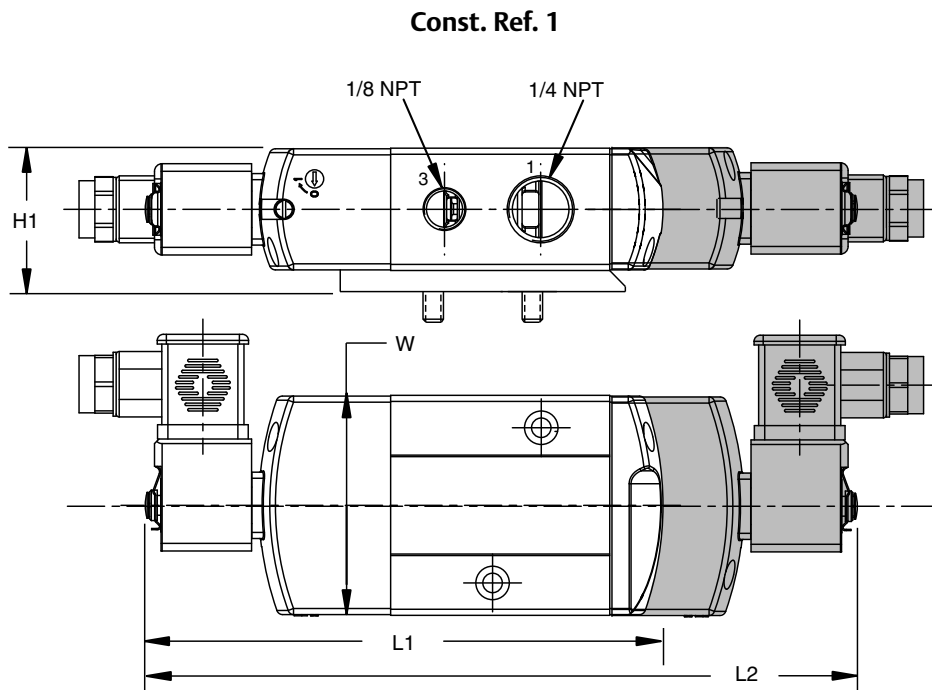
Pipe Size (in)	Orifice Size in (mm)	Flow Factor Cv (m³/h)	Operating Pressure Differential psi (bar)		Fluid Temperature °F (for single and dual solenoid)			Single Solenoid PFD _{Ave} = 3.3 x 10 ⁻³	Dual Solenoid	Const. Ref.	Watt Rating/ Class of Coil Insulation	
			Min.	Max.	Min.	Max. AC	Max. DC	Catalog Number	Catalog Number		AC	DC
OPEN FRAME DIN COIL												
1/4 ①	1/4 (6.4)	.86 (.7)	30 (2)	150 (10)	5 (-15)	140 (60)	140 (60)	SC8551A001MS	SC8551A002MS	1	2.5	3
1/2	1/2 (13)	3.7 (3.15)	30 (2)	150 (10)	-15 (-25)	140 (60)	140 (60)	SC8553A001MS	SC8553A002MS	2	5	6.9
WATERTIGHT ENCLOSURE												
1/4 ①	1/4 (6.4)	.86 (.7)	30 (2)	150 (10)	5 (-15)	140 (60)	125 (52)	WT8551A001MS	WT8551A002MS	1	6.3	6.9
1/2	1/2 (13)	3.7 (3.15)	30 (2)	150 (10)	-15 (-25)	140 (60)	125 (52)	WT8553A001MS	WT8553A002MS	2	6.3	6.9
EXPLOSIONPROOF ENCLOSURE												
1/4 ①	1/4 (6.4)	.86 (.7)	30 (2)	150 (10)	5 (-15)	104 (40)	125 (52)	EF8551A001MS	EF8551A002MS	1	6.3	6.9
1/2	1/2 (13)	3.7 (3.15)	30 (2)	150 (10)	-15 (-25)	104 (40)	125 (52)	EF8553A001MS	EF8553A002MS	2	6.3	6.9

① 1/8 inch NPT exhausts.

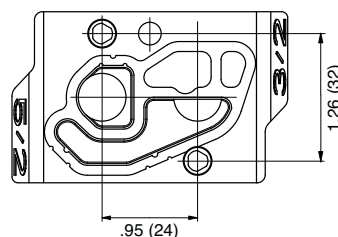
Dimensions inches (mm)

Series	551
NPT	1/4
L1	5.47 (139)
L2	7.56 (192)
H1	1.30 (33)
W	1.77 (45)

NOTE: Valve shown with CM22 DIN terminal coil and connector. Connector sold separately.



551 NAMUR Footprint



ASCO™ Direct Mount Inline Spool Valves

Pilot Operated | Direct NAMUR Mount | 1/4" - 1/2" NPT

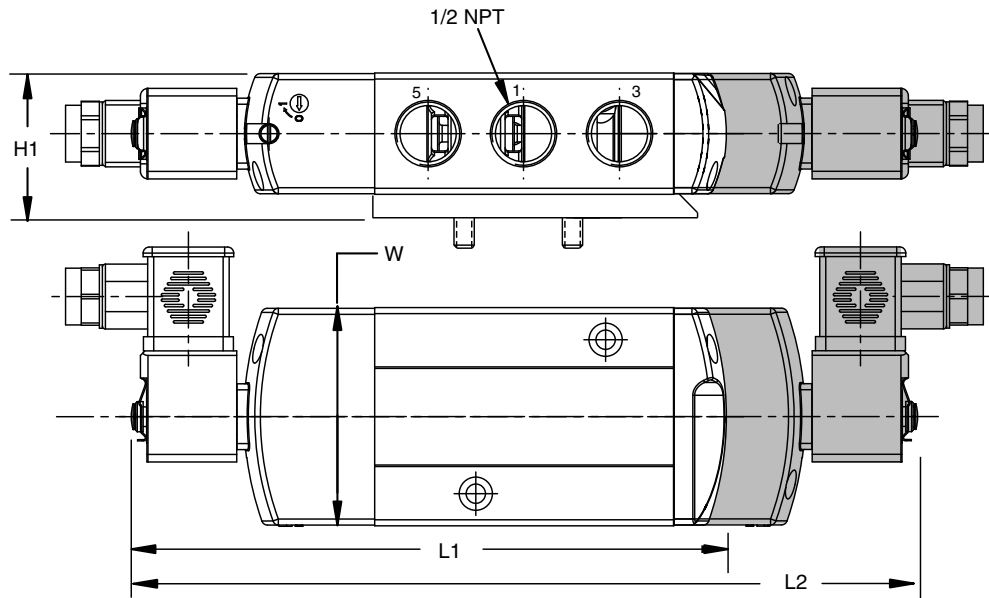
**3/2, 5/2
SERIES
551, 553**

Dimensions inches (mm)

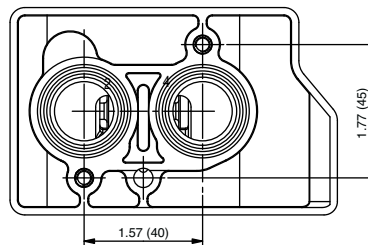
Series	553
NPT	1/2
L1	7.76 (197)
L2	10.25 (260)
H1	1.94 (49)
W	2.85 (72)

NOTE: Valve shown with CM22
DIN terminal coil and connector.
Connector sold separately.

Const. Ref. 2



553 NAMUR Footprint



VALVE
AUTOMATION