

Features

- Limits pressure in the system to help prevent process upset and equipment failure

Construction

| Valve Parts in Contact with Fluids | |
|------------------------------------|----------------------|
| Body | 316L Stainless Steel |
| Seals | NBR |

Media

Air or inert gas

Nominal Ambient Temp. Ranges

-4°F to 221°F (-20°C to 105°C)

Refer to Engineering Section for details.



Specifications (English units)

| Pipe Size (in) | Maximum Operating Pressure Differential psi (bar) | Max. Fluid Temp. °F (°C) | Base Catalog Number | Const. Ref. |
|----------------|---|--------------------------|---------------------|-------------|
| 1/4 | 200 (14) | 221 (105) | U800A700 ① | 1 |
| 1/2 | 200 (14) | 221 (105) | U800A702 ① | 2 |

① See How to Order section to complete part number

How to Order

U 800 A 700 01 N00 L4

Connection Type
U = External NPT

Product Series
800

Revision
A

Pipe Size / Body Material
700 1/4" 316 SS Pressure Relief Valve
702 1/2" 316L SS Pressure Relief Valve

Pressure Range Type*
01 1/4" Pressure Relief Valve Setting 146 to 217 psi (10.1 to 15 bar)
02 1/4" Pressure Relief Valve Setting 29 to 145 psi (2 to 10 bar)
03 1/2" Pressure Relief Valve Setting 102 to 174 psi (7.1 to 12 bar)
04 1/2" Pressure Relief Valve Setting 29 to 101 psi (2 to 7 bar)

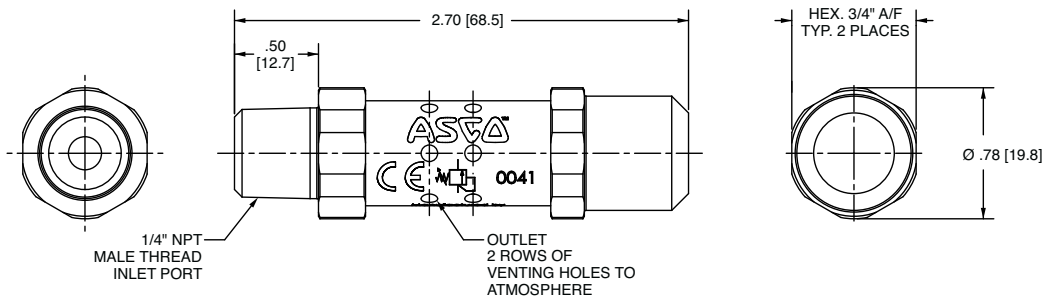
Elastomer
N00 = NBR

Pressure Settings

| | | | |
|-----------------------|------------------------|-------------------------|-------------------------|
| C0 = 29 psi / 2.0 bar | F4 = 78 psi / 5.4 bar | J8 = 127 psi / 8.8 bar | M9 = 172 psi / 11.9 bar |
| C1 = 30 psi / 2.1 bar | F5 = 80 psi / 5.5 bar | J9 = 129 psi / 8.9 bar | N0 = 174 psi / 12.0 bar |
| C2 = 32 psi / 2.2 bar | F6 = 81 psi / 5.6 bar | K0 = 130 psi / 9.0 bar | N1 = 175 psi / 12.1 bar |
| C3 = 33 psi / 2.3 bar | F7 = 82 psi / 5.7 bar | K1 = 132 psi / 9.1 bar | N2 = 177 psi / 12.2 bar |
| C4 = 35 psi / 2.4 bar | F8 = 84 psi / 5.8 bar | K2 = 133 psi / 9.2 bar | N3 = 178 psi / 12.3 bar |
| C5 = 36 psi / 2.5 bar | F9 = 85 psi / 5.9 bar | K3 = 135 psi / 9.3 bar | N4 = 180 psi / 12.4 bar |
| C6 = 37 psi / 2.6 bar | G0 = 87 psi / 6.0 bar | K4 = 136 psi / 9.4 bar | N5 = 181 psi / 12.5 bar |
| C7 = 39 psi / 2.7 bar | G1 = 88 psi / 6.1 bar | K5 = 137 psi / 9.5 bar | N6 = 183 psi / 12.6 bar |
| C8 = 40 psi / 2.8 bar | G2 = 90 psi / 6.2 bar | K6 = 139 psi / 9.6 bar | N7 = 184 psi / 12.7 bar |
| C9 = 42 psi / 2.9 bar | G3 = 91 psi / 6.3 bar | K7 = 140 psi / 9.7 bar | N8 = 185 psi / 12.8 bar |
| D0 = 43 psi / 3.0 bar | G4 = 93 psi / 6.4 bar | K8 = 142 psi / 9.8 bar | N9 = 187 psi / 12.9 bar |
| D1 = 45 psi / 3.1 bar | G5 = 94 psi / 6.5 bar | K9 = 143 psi / 9.9 bar | P0 = 188 psi / 13.0 bar |
| D2 = 46 psi / 3.2 bar | G6 = 95 psi / 6.6 bar | L0 = 145 psi / 10.0 bar | P1 = 190 psi / 13.1 bar |
| D3 = 48 psi / 3.3 bar | G7 = 97 psi / 6.7 bar | L1 = 146 psi / 10.1 bar | P2 = 191 psi / 13.2 bar |
| D4 = 49 psi / 3.4 bar | G8 = 98 psi / 6.8 bar | L2 = 148 psi / 10.2 bar | P3 = 193 psi / 13.3 bar |
| D5 = 50 psi / 3.5 bar | G9 = 100 psi / 6.9 bar | L3 = 149 psi / 10.3 bar | P4 = 194 psi / 13.4 bar |
| D6 = 52 psi / 3.6 bar | H0 = 101 psi / 7.0 bar | L4 = 151 psi / 10.4 bar | P5 = 196 psi / 13.5 bar |
| D7 = 53 psi / 3.7 bar | H1 = 103 psi / 7.1 bar | L5 = 152 psi / 10.5 bar | P6 = 197 psi / 13.6 bar |
| D8 = 55 psi / 3.8 bar | H2 = 104 psi / 7.2 bar | L6 = 153 psi / 10.6 bar | P7 = 199 psi / 13.7 bar |
| D9 = 56 psi / 3.9 bar | H3 = 106 psi / 7.3 bar | L7 = 155 psi / 10.7 bar | P8 = 200 psi / 13.8 bar |
| E0 = 58 psi / 4.0 bar | H4 = 107 psi / 7.4 bar | L8 = 156 psi / 10.8 bar | P9 = 201 psi / 13.9 bar |
| E1 = 59 psi / 4.1 bar | H5 = 108 psi / 7.5 bar | L9 = 158 psi / 10.9 bar | Q0 = 203 psi / 14.0 bar |
| E2 = 61 psi / 4.2 bar | H6 = 110 psi / 7.6 bar | M0 = 160 psi / 11.0 bar | Q1 = 204 psi / 14.1 bar |
| E3 = 62 psi / 4.3 bar | H7 = 111 psi / 7.7 bar | L6 = 156 psi / 10.8 bar | Q2 = 206 psi / 14.2 bar |
| E4 = 64 psi / 4.4 bar | H8 = 113 psi / 7.8 bar | L9 = 158 psi / 10.9 bar | Q3 = 207 psi / 14.3 bar |
| E5 = 65 psi / 4.5 bar | H9 = 114 psi / 7.9 bar | M0 = 160 psi / 11.0 bar | Q4 = 209 psi / 14.4 bar |
| E6 = 66 psi / 4.6 bar | J0 = 116 psi / 8.0 bar | M1 = 161 psi / 11.1 bar | Q5 = 210 psi / 14.5 bar |
| E7 = 68 psi / 4.7 bar | J1 = 117 psi / 8.1 bar | M2 = 162 psi / 11.2 bar | Q6 = 211 psi / 14.6 bar |
| E8 = 69 psi / 4.8 bar | J2 = 119 psi / 8.2 bar | M3 = 164 psi / 11.3 bar | Q7 = 213 psi / 14.7 bar |
| E9 = 71 psi / 4.9 bar | J3 = 120 psi / 8.3 bar | M4 = 165 psi / 11.4 bar | Q8 = 215 psi / 14.8 bar |
| F0 = 72 psi / 5.0 bar | J4 = 122 psi / 8.4 bar | M5 = 166 psi / 11.5 bar | Q9 = 216 psi / 14.9 bar |
| F1 = 74 psi / 5.1 bar | J5 = 123 psi / 8.5 bar | M6 = 168 psi / 11.6 bar | R0 = 217 psi / 15.0 bar |
| F2 = 75 psi / 5.2 bar | J6 = 124 psi / 8.6 bar | M7 = 170 psi / 11.7 bar | |
| F3 = 76 psi / 5.3 bar | J7 = 126 psi / 8.7 bar | M8 = 171 psi / 11.8 bar | |

Dimensions inches (mm)

Const. Ref. 1



Const. Ref. 2

