

Features

- Compact, 3-ported valves have oversized orifice for quick exhaust of cylinders, brakes, actuators, clutches, etc.
- Allow use of smaller pipe lines and control components
- When used as a shuttle valve, high pressure from the two inlets exits through the common outlet
- 316L Stainless Steel constructions for corrosive environments
- Mountable in any position

Construction

| Valve Parts in Contact with Fluids | | |
|------------------------------------|----------------------|---------------|
| | 8800 | V043 |
| Body and Bonnet | 316L Stainless Steel | Die-Cast Zinc |
| Seat | NBR/LT-NBR | NBR |



Nominal Ambient Temp. Ranges

8800A10000N0000 and 8800A10200N0000:

-4°F to 221°F (-20°C to 105°C)

8800A10500N0000, 8800A10700N0000:

-4°F to 200°F (-20°C to 93°C)

8800A1080040000, 8800A1090040000:

-40°F to 200°F (-40°C to 93°C)

V043001 and V043002:

-4°F to 125°F (-20°C to 52°C)

Refer to Engineering Section for details.

Specifications English (Metric)

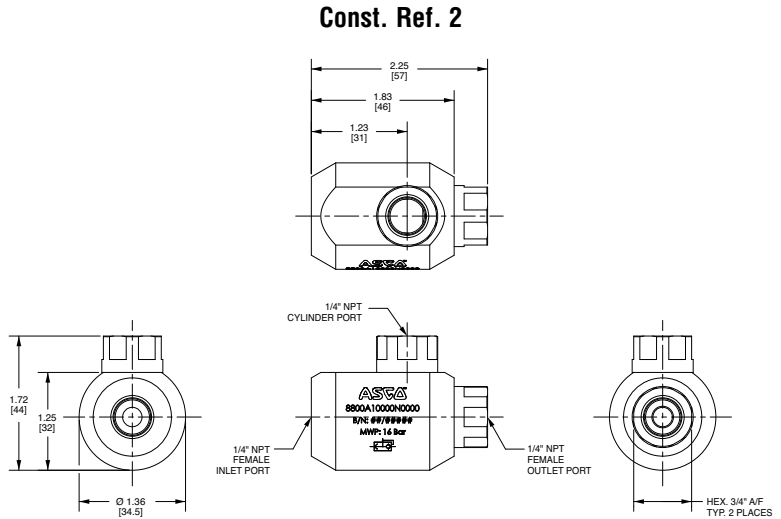
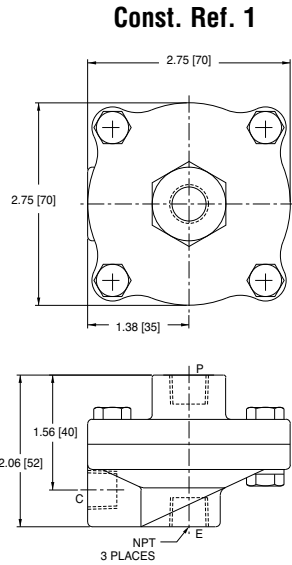
| Pipe Size (in) | Flow Cv (Kv) | | Opening Pressure psi (bar) | Maximum Operating Pressure Differential psi (bar) | Max. Temp. °F (°C) | Catalog Number | Body Material | Const. Ref. |
|----------------|----------------------|---------------------|----------------------------|---|--------------------|-----------------|-----------------|-------------|
| | Pressure to Cylinder | Cylinder to Exhaust | | | | | | |
| 1/4 | 2 (1.7) | 2 (1.7) | 5 (0.35) | 125 (8.6) | 125 (52) ① | V043 001 | Zinc | 1 |
| 1/4 | 1.2 (1.1) | 3.9 (3.4) | 0 (0) | 232 (16) | 221 (105) ② | 8800A10000N0000 | Stainless Steel | 2 |
| 1/4 | 2.4 (2) | 5 (4.3) | 5 (0.35) | 150 (10.3) | 200 (93) ③ | 8800A10500N0000 | Stainless Steel | 3 |
| 3/8 | 3.5 (3) | 4.5 (3.9) | 5 (0.35) | 125 (8.6) | 125 (52) ① | V043 002 | Zinc | 1 |
| 1/2 | 3.5 (3) | 4 (3.4) | 0 (0) | 232 (16) | 221 (105) ② | 8800A10200N0000 | Stainless Steel | 4 |
| 1/2 | 6 (5.2) | 15 (13) | 5 (0.35) | 150 (10.3) | 200 (93) ③ | 8800A10700N0000 | Stainless Steel | 5 |
| 3/4 | 12 (10.4) | 26 (22.5) | 15 (1) | 175 (12) | 200 (93) ③ | 8800A1080040000 | Stainless Steel | 6 |
| 1 | 14 (12.1) | 26 (22.5) | 15 (1) | 175 (12) | 200 (93) ③ | 8800A1090040000 | Stainless Steel | 6 |

① Air only

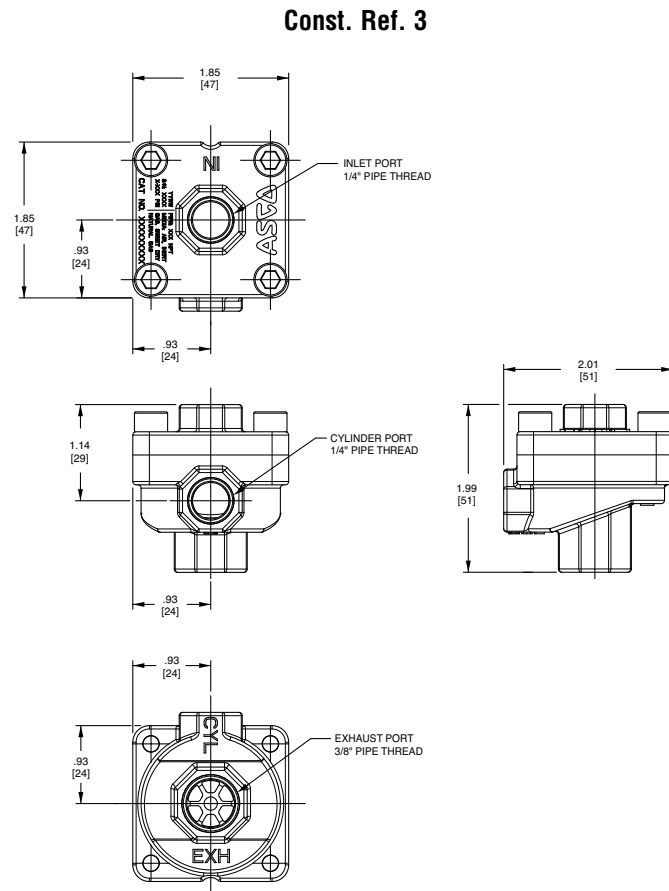
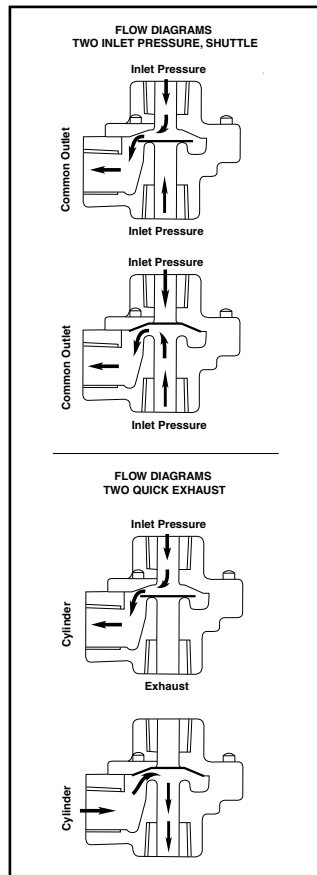
② Air and inert gas only

③ Air, inert gas and sweet dry natural gas

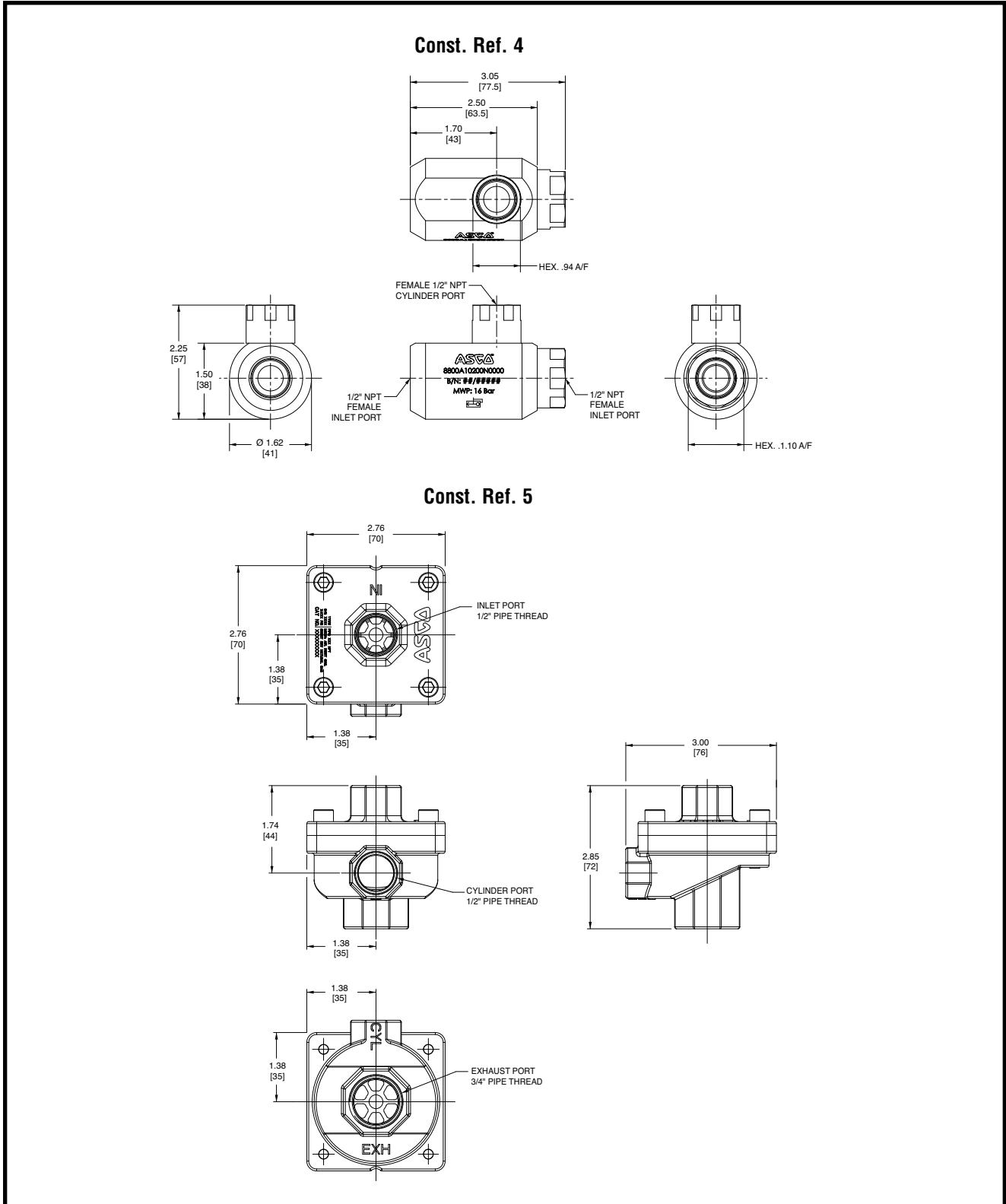
Dimensions inches (mm)



Flow Diagrams (V043 Series)



Dimensions inches (mm)



Dimensions inches (mm)

Const. Ref. 6

