

## Sensors, Series SC4



## AVENTICS™ Sensors, Series SC4



# Sensor, Series SC4

- 4 mm C-slot
- with cable
- open cable ends, 3-pin
- UL certification
- electronic PNP electronic NPN
- Direct mounting for series UPG, RTC, MSN, GPC, MSC, PRA, SSI, TWC



Certificates	CE declaration of conformity cULus
Ambient temperature min./max.	-30 ... 80 °C
Protection class	IP65, IP67
Switching point precision	±0,1 mT
Nominal current, actuated state	10 mA
Quiescent current (without load)	4 mA
Min./max. DC operating voltage	10 ... 30 V DC
Hysteresis	0,4 mT
Switching logic	NO (make contact)
LED status display	Yellow
Vibration resistance	10 - 55 Hz, 1 mm
Shock resistance	30 g / 11 ms
Cable length L	3 5 m

## Technical data

Part No.		for	Type of contact
R412026162		UPG, RTC, MSN, GPC, MSC, PRA, SSI, TWC	electronic PNP
R412026163		UPG, RTC, MSN, GPC, MSC, PRA, SSI, TWC	electronic PNP
R412026166		UPG, RTC, MSN, GPC, MSC, PRA, SSI, TWC	electronic NPN

Part No.	Cable length L	Voltage drop U at I <sub>max</sub>	DC switching current, max.
R412026162	3 m	≤ 2,5 V	0.1 A
R412026163	5 m	≤ 2,5 V	0.1 A
R412026166	3 m	≤ 2,5 V	0.1 A

Part No.	Max. switching frequency	Version
R412026162	1000 Hz	Protected against polarity reversal
R412026163	1000 Hz	Protected against polarity reversal
R412026166	1000 Hz	Protected against polarity reversal

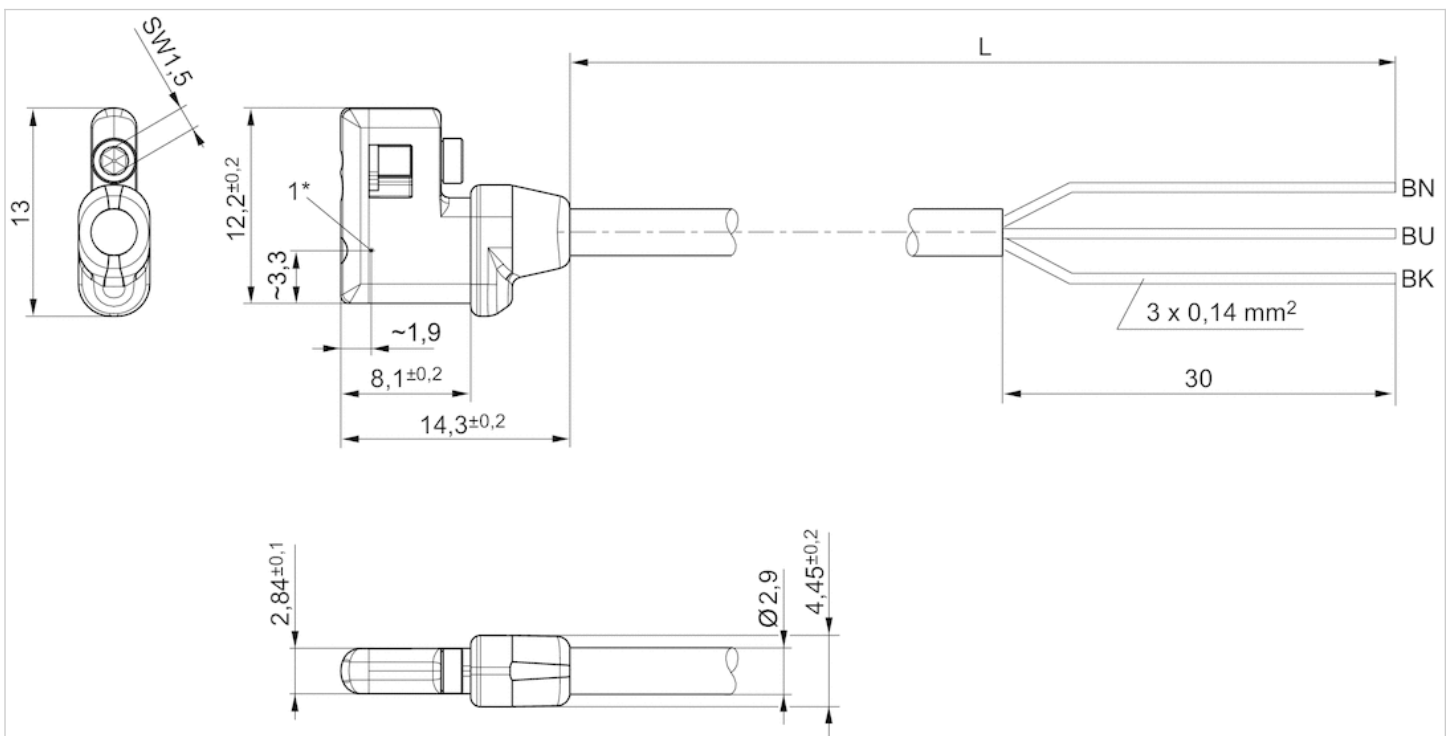
5

## Technical information

### Material

Housing	Polyamide
Cable sheath	Polyurethane
Locking screw	Stainless steel

## Dimensions

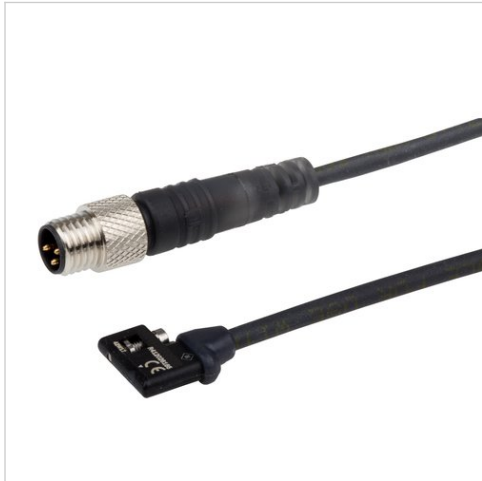


\* Switching point

L = cable length

# Sensor, Series SC4

- 4 mm C-slot
- with cable
- Plug, M8, 3-pin, with knurled screw
- UL certification
- electronic PNP electronic NPN
- Direct mounting for series UPG, RTC, MSN, GPC, MSC, PRA, SSI, TWC



Certificates	CE declaration of conformity cULus
Ambient temperature min./max.	-30 ... 80 °C
Protection class	IP65, IP67
Switching point precision	±0,1 mT
Nominal current, actuated state	10 mA
Quiescent current (without load)	4 mA
Min./max. DC operating voltage	10 ... 30 V DC
Hysteresis	0,4 mT
Switching logic	NO (make contact)
LED status display	Yellow
Vibration resistance	10 - 55 Hz, 1 mm
Shock resistance	30 g / 11 ms
Cable length L	0.3 0.5 m

## Technical data

Part No.		for	Type of contact
R412026164		UPG, RTC, MSN, GPC, MSC, PRA, SSI, TWC	electronic PNP
R412026165		UPG, RTC, MSN, GPC, MSC, PRA, SSI, TWC	electronic PNP
R412026167		UPG, RTC, MSN, GPC, MSC, PRA, SSI, TWC	electronic NPN

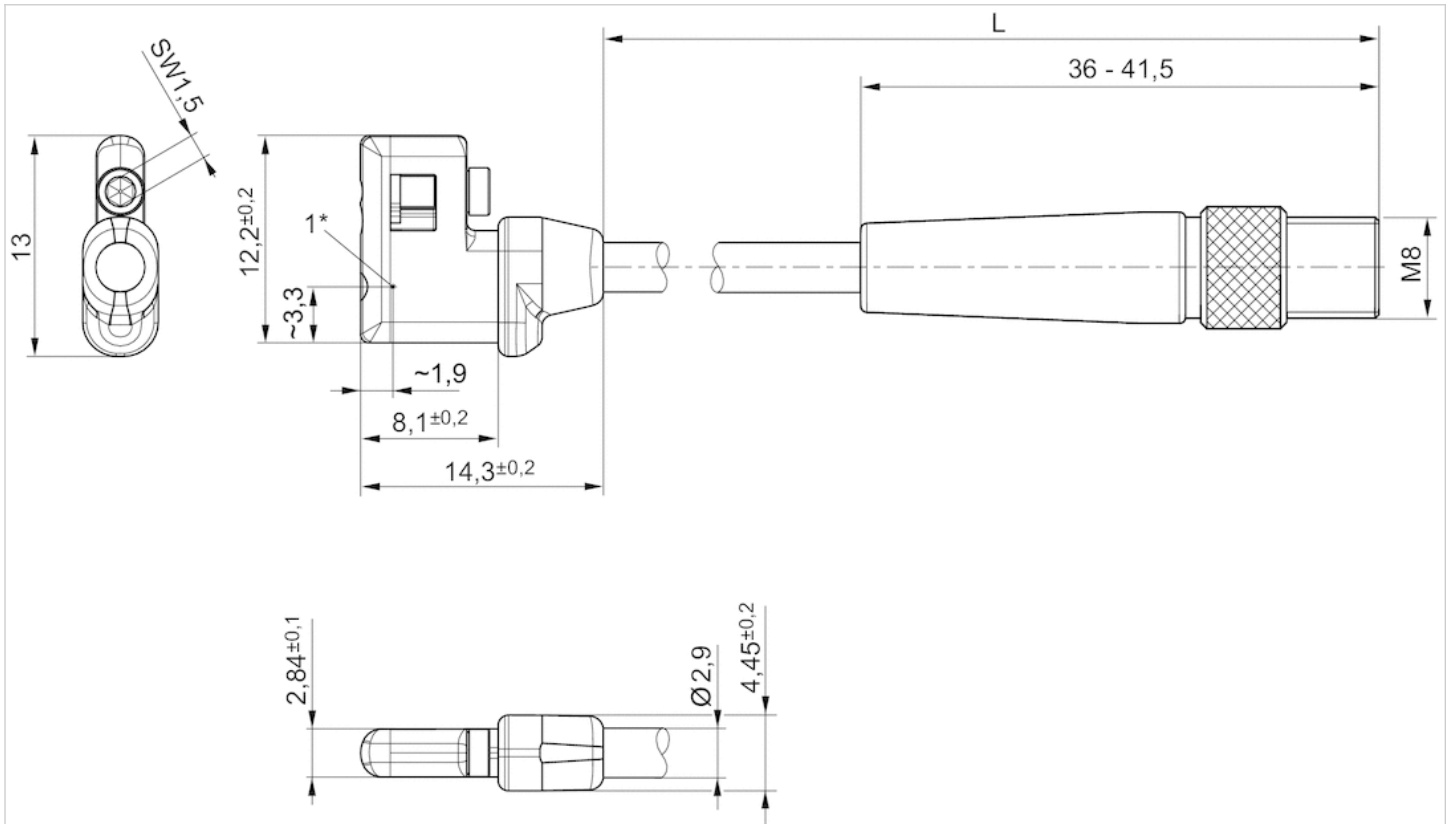
Part No.	Cable length L	Voltage drop U at I <sub>max</sub>	DC switching current, max.
R412026164	0.3 m	≤ 2,5 V	0.1 A
R412026165	0.5 m	≤ 2,5 V	0.1 A
R412026167	0.3 m	≤ 2,5 V	0.1 A

Part No.	Max. switching frequency	Version
R412026164	1000 Hz	Protected against polarity reversal
R412026165	1000 Hz	Protected against polarity reversal
R412026167	1000 Hz	Protected against polarity reversal

## Technical information

Material	
Housing	Polyamide
Cable sheath	Polyurethane
Locking screw	Stainless steel

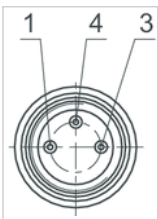
## Dimensions



\* Switching point  
L = cable length

## Pin assignments

### Pin assignments



Pin	1	3	4
Allocation	(+)	(-)	(OUT)

# Efficient pneumatic solutions, our program: cylinders and drives, valves and valve systems, air supply management



Visit us: [Emerson.com/Aventics](http://Emerson.com/Aventics)

Your local contact: [Emerson.com/contactus](http://Emerson.com/contactus)



[Emerson.com](http://Emerson.com)



[Facebook.com/EmersonAutomationSolutions](https://Facebook.com/EmersonAutomationSolutions)



[LinkedIn.com/company/Emerson-Automation-Solutions](https://LinkedIn.com/company/Emerson-Automation-Solutions)



[Twitter.com/EMR\\_Automation](https://Twitter.com/EMR_Automation)

An example configuration is depicted on the title page. The delivered product may thus vary from that in the illustration. Subject to change. This Document, as well as the data, specifications and other information set forth in it, are the exclusive property of AVENTICS GmbH. It may not be reproduced or given to third parties without its consent. Only use the AVENTICS products shown in industrial applications. Read the product documentation completely and carefully before using the product. Observe the applicable regulations and laws of the respective country. When integrating the product into applications, note the system manufacturer's specifications for safe use of the product. The data specified only serve to describe the product. No statements concerning a certain condition or suitability for a certain application can be derived from our information. The information given does not release the user from the obligation of own judgment and verification. It must be remembered that the products are subject to a natural process of wear and aging.

The Emerson logo is a trademark and service mark of Emerson Electric Co. Brand logotype are registered trademarks of one of the Emerson family of companies. All other marks are the property of their respective owners. © 2017 Emerson Electric Co. All rights reserved.  
2019-03



## CONSIDER IT SOLVED™



青岛秉诚自动化设备有限公司  
地址：中国·青岛市重庆南路99号海尔云街甲3号楼7F

服务热线：4006-918-365  
网址：<http://www.ivalve.cc>

传真：(86-532)585-10-365  
Email：[sales@bechinas.com](mailto:sales@bechinas.com)