

# ASCO™ Gas Vent Valves

Direct Acting | 3/8" - 3/4" NPT

2/2  
SERIES  
8030

## Features

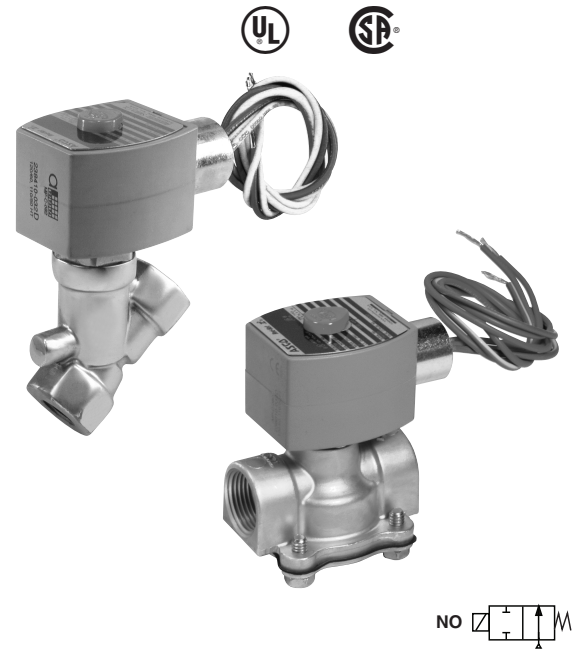
- 2-way normally open operation
- For control of commercial and industrial gas burners
- Ideal for low pressure applications
- Brass body construction
- Mountable in any position

## Fluid

Fuel Gas

## Construction

Valve Parts in Contact with Fluids	
Body	Brass
Seals and Disc	NBR
Core Tube	305 Stainless Steel
Stem	PA
Core and Plugnut	430F Stainless Steel
Springs	302 Stainless Steel
Shading Coil	Copper



## Electrical

Standard Coil and Class of Insulation	Watt Rating and Power Consumption			Ambient Temp. °F	Spare Coil Family	
	AC				General Purpose	Explosionproof
	Watts	VA Holding	VA Inrush		AC	AC
F	10.1	25	70	32 to 125	238610	238614
H	10.1	25	70	32 to 140	272810	-
F	16.1	27	160	32 to 125	272610	272614
H	16.1	27	160	32 to 140	238810	238814

**Standard Voltages:** 24, 120, 240 volts AC, 60 Hz (or 110, 220 volts AC, 50 Hz).

**Optional High Ambient Temp:** 140°F Class H coil with prefix HT.

## Approvals

UL listed to standard 429 "Electrically Operated Valves," Guide YIOZ, File MP618, General Purpose Valves.

CSA Certified to: Standard C22.2 No. 139 "Electrically Operated Valves," File 010381.

## Solenoid Enclosures

**Standard:** Watertight, Types 1, 2, 3, 3S, 4, and 4X with 1/2" conduit hub.

**Optional:** RedHat II - Explosionproof and Watertight. To order, add Prefix "EF" to catalog numbers. (e.g. EF8030G082)

## Valve Response Time

**Opening Time:** Less than 1 second

**Closing Time:** Less than 1 second

COMBUSTION

Specifications English units (Metric)

Pipe Size (in)	Orifice Size in (mm)	Flow Factor Cv (Kv)	Gas Capacity ① Btu/hr.	Operating Pressure Differential psi (bar)		Max. Fluid Temp. °F (°C)	Catalog Number	Const. Ref.	Agency			Wattage	Approx Shipping Weight lbs (kgs)
				Min.	Max.				UL	FM	CSA		
<b>COMBUSTION (Fuel Gas) - NORMALLY OPEN</b>													
3/8	3/8 (10)	1.6 (1.4)	86,000	0	15 (1.0)	200 (93)	8030G070	1	●	-	●	16.1	3.4 (1.5)
1/2	3/4 (19)	5.0 (4.3)	269,000	0	2 (0.1)	180 (82)	8030G082	2	●	-	●	10.1	3.4 (1.5)
3/4	3/4 (19)	5.5 (4.7)	295,000	0	2 (0.1)	180 (82)	8030G083	3	●	-	●	10.1	3.4 (1.5)

● = General Purpose Valve. ① 1" W.C. Drop @ 2" W.C. Inlet Pressure, 1,000 Btu/Cu.Ft. or more, 0.64 Specific Gravity Gas.

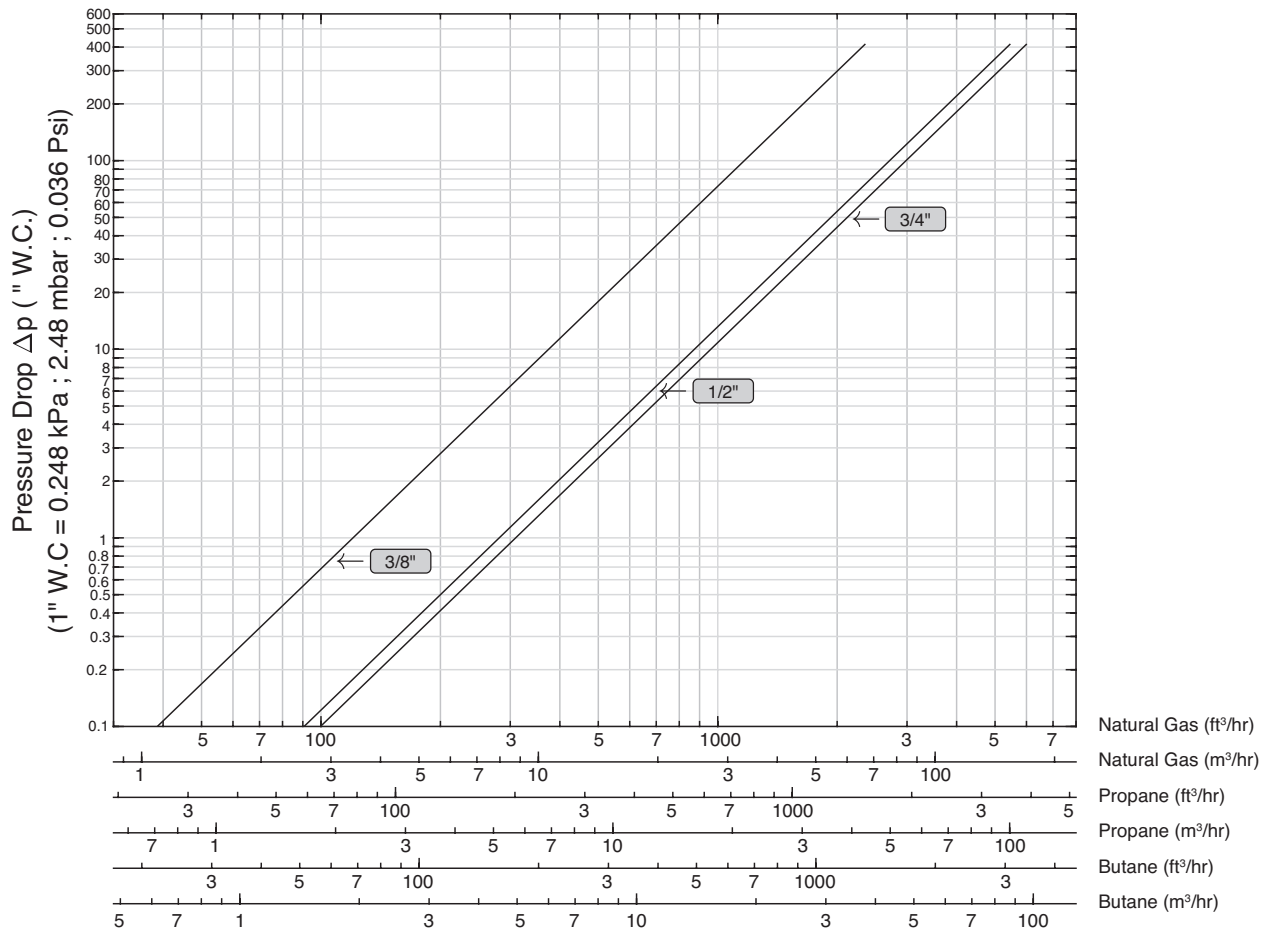
Capabilities Chart

NEMA Type 3-9	Solenoid Options			Base Catalog Number	Resilient Materials		Standard Rebuild Kit
	High Temp.	Junction Box	Wiring Box Screw Terminal		Brass	NBR	
EF	HT	JB	JKF	8030G070	●	302797	
EF	HT	JB	JKF	8030G082	●	302799	
EF	HT	JB	JKF	8030G083	●	302799	

● = Standard. Other options may be available. All option combinations may not be available.

Gas Flow Chart

8030 N.O Watertight



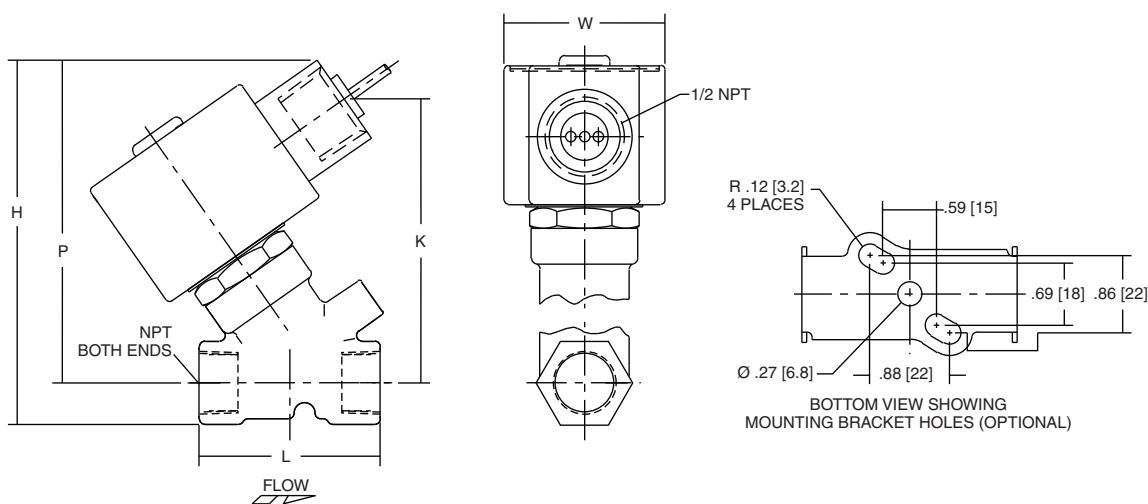
Note: Flow curves are based on the following standard conditions: 5 psi (0.3 bar) inlet pressure and 68°F (20°C) fluid temperature.

## Dimensions inches (mm)

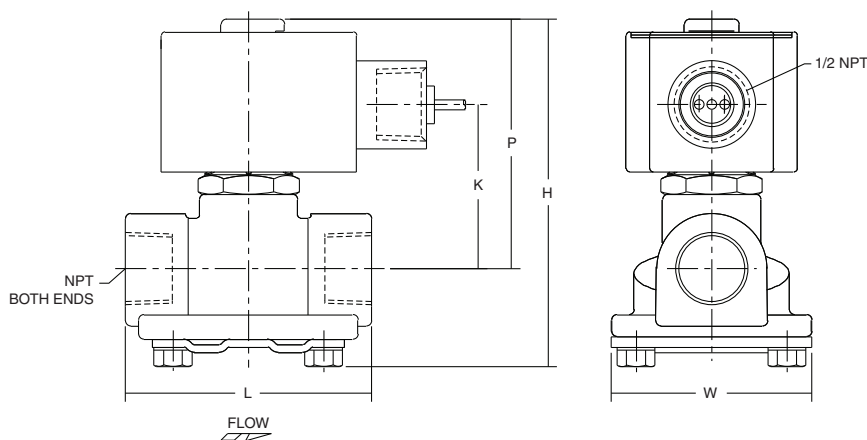
Const. Ref.		H	K	L	P	W
1	in	4.16	1.10	1.91	3.72	2.06
	mm	106	28	49	94	52
2	in	3.97	1.88	2.81	2.85	2.29
	mm	101	48	71	72	58
3	in	3.97	1.88	2.81	2.85	2.29
	mm	101	48	71	72	58

Vent Valve Requirements	
Manifold Line	Vent Valve
3/8" through 1 1/2"	3/4
2"	1
2 1/2" through 3"	1 1/4
3 1/2"	1 1/2
4" through 5"	2
5 1/2" through 6"	2 1/2
6 1/2" through 7 1/2"	3

### Const. Ref. 1



### Const. Ref. 2, 3



COMBUSTION