

### Features

- 2-way normally closed operation
- For control of commercial and industrial gas burners
- Ideal for low pressure applications
- Brass body construction
- Mountable in any position

### Fluid

Fuel Gas

### Construction

Valve Parts in Contact with Fluids	
Body	Brass
Seals and Disc	NBR
Core Tube	305 Stainless Steel
Core Guide	Acetal
Rider Rings	PTFE
Core and Plugnut	430F Stainless Steel
Springs	302 Stainless Steel
Shading Coil	Copper

### Electrical

Standard Coil and Class of Insulation	Watt Rating and Power Consumption			Ambient Temp. °F	Spare Coil Family	
	AC				General Purpose	Explosionproof
	Watts	VA Holding	VA Inrush		AC	AC
F	10.1	25	70	32 to 125	238610	238614
H	10.1	25	70	32 to 140	238810	238814

**Standard Voltages:** 24, 120, 240 volts AC, 60 Hz (or 110, 220 volts AC, 50 Hz).  
**Optional High Ambient Temp:** 140°F Class H coil with prefix HT.

### Solenoid Enclosures

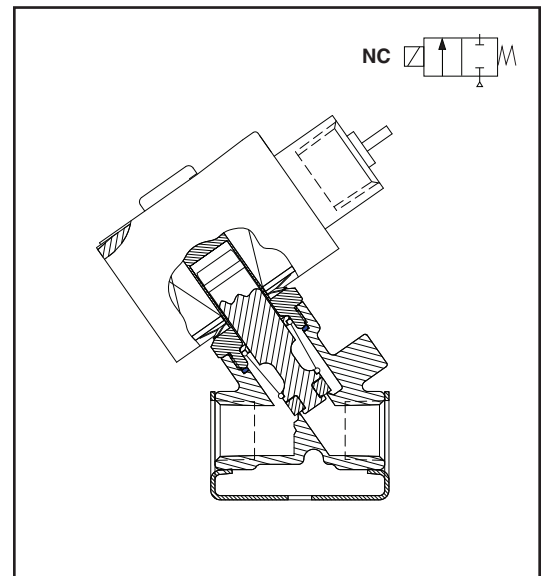
**Standard:** Watertight, Types 1, 2, 3, 3S, 4, and 4X with 1/2" conduit hub.

**Optional:** RedHat II - Explosionproof and Watertight. To order, add Prefix "EF" to catalog numbers. (e.g. EF8030G068)

### Valve Response Time

**Opening Time:** Less than 1 second

**Closing Time:** Less than 1 second



### Approvals

UL listed to standard 429 "Electrically Operated Valves," Guide Y10Z, File MP618, Safety Valves.

FM approved to Class No. 7400 "Liquid and Gas Safety Shutoff Valves."

CSA Certified to:

- 1) Standard C22.2 No 139 "Electrically Operated Valves," File 010381.
- 2) Automatic Gas Valves Z21.21 (6.5), File 112872.

COMBUSTION

**Specifications English units (Metric units)**

Pipe Size in	Orifice Size in (mm)	Flow Factor Cv (Kv)	Gas Capacity ①		Operating Pressure Differential psi (bar)		Max. Fluid Temp. °F (°C)	Catalog Number	Const. Ref.	Agency			Wattage	Approx. Shipping Weight lbs (kgs)
			Btu/hr.	Min.	Max.	UL				FM	CSA			
<b>COMBUSTION (Fuel Gas) - NORMALLY CLOSED</b>														
3/8	3/8 (10)	1.8 (1.5)	97,000	0	15 (1.0)	125 (52)	8030G068	1	○	○	○	10.1	2.3 (1.0)	
1/2	7/16 (11)	2.8 (2.4)	151,000	0	8 (0.6)	125 (52)	8030G069	2	○	○	○	10.1	2.7 (1.2)	

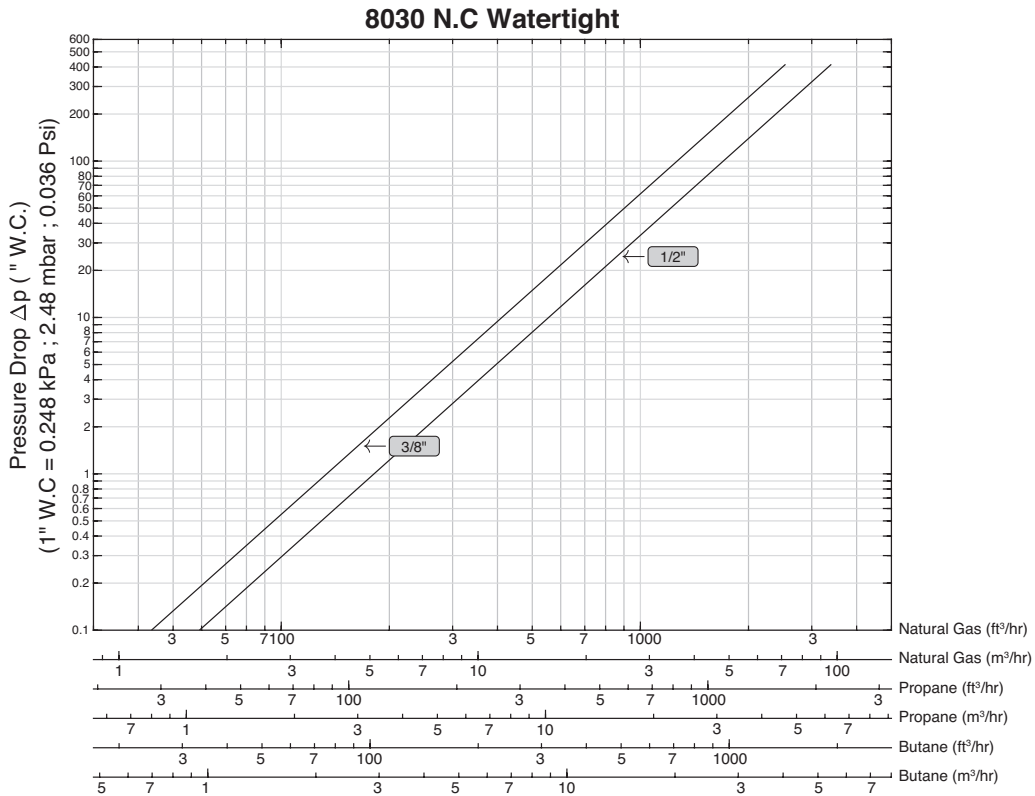
○ = Safety Shutoff Valve. ① 1" W.C. Drop @ 2" W.C. Inlet Pressure, 1,000 Btu/cu.ft. or more, 0.64 Specific Gravity Gas.

**Capabilities Chart**

Solenoid Options				Base Catalog Number	Resilient Materials	Standard Rebuild Kit
NEMA Type 3-9	High Temp.	Junction Box	Wiring Box Screw Terminal	Brass	NBR	AC
EF	HT	JB	JKF	8030G068	●	306628
EF	HT	JB	JKF	8030G069	●	306629

● = Standard. Other options may be available. All option combinations may not be available.

**Gas Flow Chart**



**Note:** Flow curves are based on the following standard conditions: 5 psi (0.3 bar) inlet pressure and 68°F (20°C) fluid temperature.

COMBUSTION

### Dimensions inches (mm)

Const. Ref.		H	K	L	P	W
1	in	4.00	3.14	1.91	3.55	1.95
	mm	102	80	49	90	50
2	in	4.32	3.39	2.28	3.77	1.95
	mm	110	86	58	96	50

Const. Ref. 1, 2

