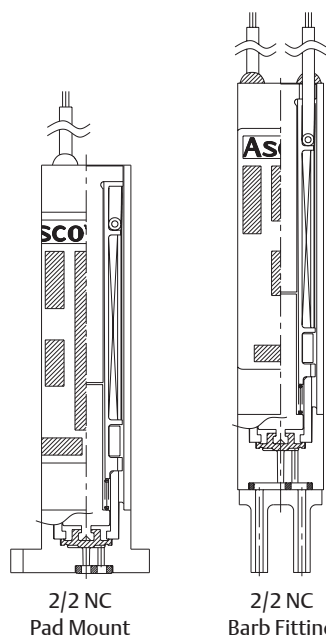
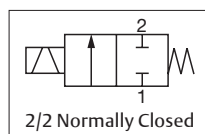
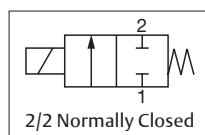


ASCO™ MINIATURE SOLENOID VALVES

DIAPHRAGM SOLENOID FLUID ISOLATION VALVES

- Direct acting solenoid valve for use with neutral or aggressive liquids in analytical instruments
- Small profile and low internal volume well suited for dispensing applications and precise flow control
- Low power consumption results in less heat transfer to thermally sensitive reagents and samples
- Low dead volume improves ability to clean between each cycle
- Typical application include:
 - Clinical Diagnostics
 - DNA Sequencing
 - Immunoassay
 - Sample Preparation



General Valve Information	
Body	PPS, PEEK
Seals	FKM, FFKM
Response Time	< 10 ms
Internal Volume	1.2 µl
Dead Volume	0.75 µl
Max Viscosity	20 cSt (mm ² /s)

Electrical Characteristics	
Coil Insulation Class	B (130°C [266°F])
Connector	Lead Wires (see Electrical Connection)
Connector Specification	32 AWG PVC coated
Standard Voltages*	5 VDC, 12 VDC (±5%)

*Other voltages on request

Electrical Connection	Power Ratings				Ambient Temperature Range C° (F°)	Coil Duty	Lead Color
	Inrush	Holding		Hot/Cold			
	VA	VA	W	W			
Standard Leaded Coil (L0)	-	-	-	1.2	10 to 50 (50 to 122)	Intermittent, ED = 40%	Black
Latching Leaded Coil (L1)	-	-	-	1.2		Intermittent, ED = 20%	Polarity: Red: Positive(+); Black: Negative (-)

01100CB-2021-RO

Specifications							
Connection	Orifice Size	Flow Coefficient		Pressure Differential bar (psi)			
				min.	max. gas / liquids	Power Coil (W)	Catalog Number
	mm (inches)	Kv (m ³ /h)	Cv				
2/2 NC - Standard Leaded Coil (L0)							
Pad Mount	0.4 (0.016)	0.0017	0.0020	0 bar (0.0 psi)	1.0 bar (14.5 psi)	1.2	R038A00XL0XXXXX
Hose Barb	0.4 (0.016)	0.0017	0.0020	0 bar (0.0 psi)	1.0 bar (14.5 psi)	1.2	6038A01XL0XXXXX
2/2 NC - Latching Leaded Coil (L1)							
Pad Mount	0.4 (0.016)	0.0017	0.0020	0 bar (0.0 psi)	1.0 bar (14.5 psi)	1.2	R03800XL1XXXXX
Hose Barb	0.4 (0.016)	0.0017	0.0020	0 bar (0.0 psi)	1.0 bar (14.5 psi)	1.2	603801XL1XXXXX

How to Order

Connection Type
 R = Pad Mount
 6 = Barb Fitting

Product Series
 038 = Analytical & Medical Liquid Isolation Valve

Revision
 A = Initial Release

ITEM

	Orifice	Body Material	Gasket Seal
001	0.4 (0.016)	PPS	A
002	0.4 (0.016)	PEEK	A
011 *	0.4 (0.016)	PPS	None
012 *	0.4 (0.016)	PEEK	None

* For Connection Type "6"

R 038 A 001 L0 V00 V1

Voltage
 V1 = 24/DC Class B
 V3 = 12/DC Class B
 Z1 = 5/DC Class B

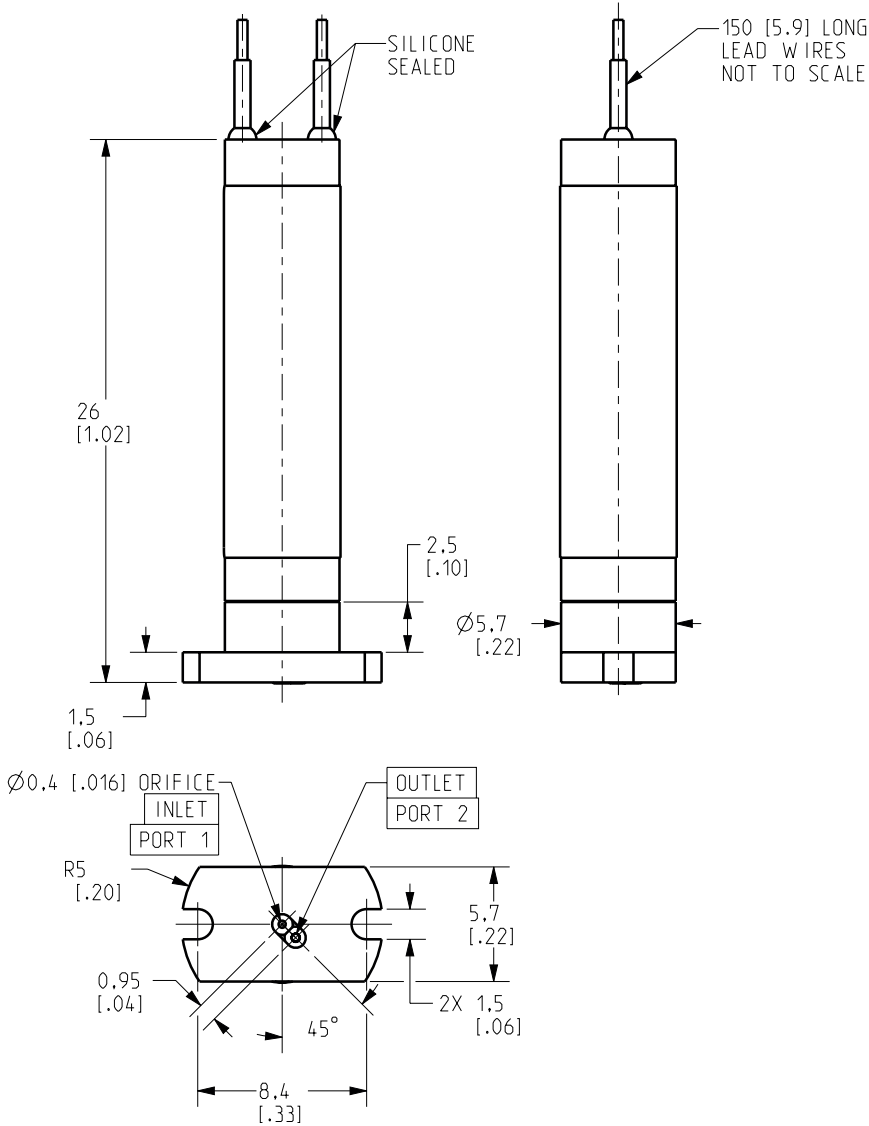
Seal Material
 V00 = FKM
 X00 = FFKM

Electrical Connection Type
 L0 = Leaded Coil
 L1 = Leaded Coil (Latching)

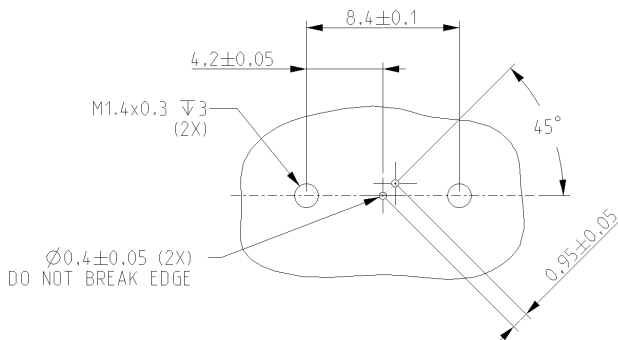
ASCO™ MINIATURE SOLENOID VALVES
DIAPHRAGM SOLENOID FLUID ISOLATION VALVES

Dimensions: mm (inches)

**Connection Type R
Pad Mount**



Mounting Pattern for Pad Mount Solenoid Valve



01100GB-2021-RO

Dimensions: mm (inches)

**Connection Type 6
Hose Barb**

