

## Features

- 2-way normally closed operation
- For gas pilot control of commercial and industrial gas burners
- Direct lift with resilient soft seating for tight shut-off
- Valves provided with 1/8" NPT downstream pipe tap with plug for routine testing
- Mountable in any position

## Fluid

Fuel Gas

## Construction

Valve Parts in Contact with Fluids	
Body	Aluminum
Seals and Disc	NBR
Core Tube	305 Stainless Steel
Core and Plugnut	430F Stainless Steel
Springs	17-7 PH
Shading Coil	Copper
Pipe Plug	Zinc Plated Steel

## Electrical

Standard Coil and Class of Insulation	Watt Rating and Power Consumption			Ambient Temp. °F	Spare Coil Family	
	AC				General Purpose	Explosionproof
	Watts	VA Holding	VA Inrush		AC	AC
F	6.1	16	40	-40 to 125	238210	238214
H	6.1	16	40	-40 to 140	238410	238414

Standard Voltages: 24, 120, 240 volts AC, 60 Hz (or 110, 220 volts AC, 50 Hz).  
 Optional High Ambient Temp: 140°F Class H coil with prefix HT.

## Solenoid Enclosures

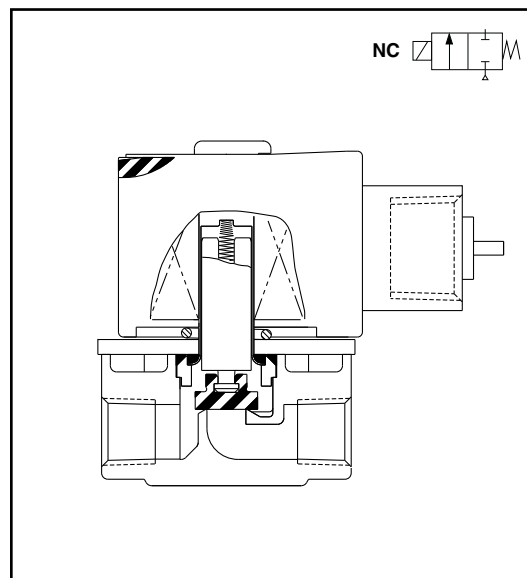
**Standard:** Watertight, Types 1, 2, 3, 3S, 4, and 4X with 1/2" conduit hub.

**Optional:** RedHat II - Explosionproof and Watertight. To order, add Prefix "EF" to catalog numbers. (e.g. EF8040H006)

## Valve Response Time

**Opening Time:** Less than 1 second

**Closing Time:** Less than 1 second



## Approvals

UL listed to standard 429 "Electrically Operated Valves," Guide Y10Z, File MP618 Safety Valves.

FM Approved to Class 7400 "Liquid and Gas Safety Shutoff Valves."

CSA Certified to:

- 1) Standard C22.2 No. 139 "Electrically Operated Valves," File 010381.
- 2) Automatic Gas Valves Z21.21 (6.5), File 112872.
- 3) Automatic Gas Safety Shutoff Valves C/I (3.9), File 112872.

COMBUSTION

**Specifications English units (Metric units)**

Pipe Size in	Orifice Size in (mm)	Flow Factor Cv (Kv)	Gas Capacity ① Btu/hr.	Operating Pressure Differential psi (bar)		Max. Fluid Temp. °F (°C)	Catalog Number	Const. Ref.	Agency			Wattage ②	Approx. Shipping Weight lbs (kgs)
				Min.	Max.				UL	FM	CSA		
<b>COMBUSTION (Fuel Gas) - NORMALLY CLOSED</b>													
1/8	5/16 (8)	1 (0.9)	53,700	0	15 (1)	125 (52)	8040H006	1	○	○	○	6.1	1.8 (0.8)
1/4	5/16 (8)	1 (0.9)	59,000	0	15 (1)	125 (52)	8040H007	1	○	○	○	6.1	1.8 (0.8)
3/8	5/16 (8)	1.2 (1.0)	64,400	0	15 (1)	125 (52)	8040H008	1	○	○	○	6.1	1.8 (0.8)

○ = Safety Shutoff Valve; ① 1" W.C. Drop @ 2" W.C. Inlet Pressure, 1,000 Btu/cu.ft. or more, 0.64 Specific Gravity Gas.  
② On 50 Hz service watt rating is 8.1; EF option approved to UL and CSA only.

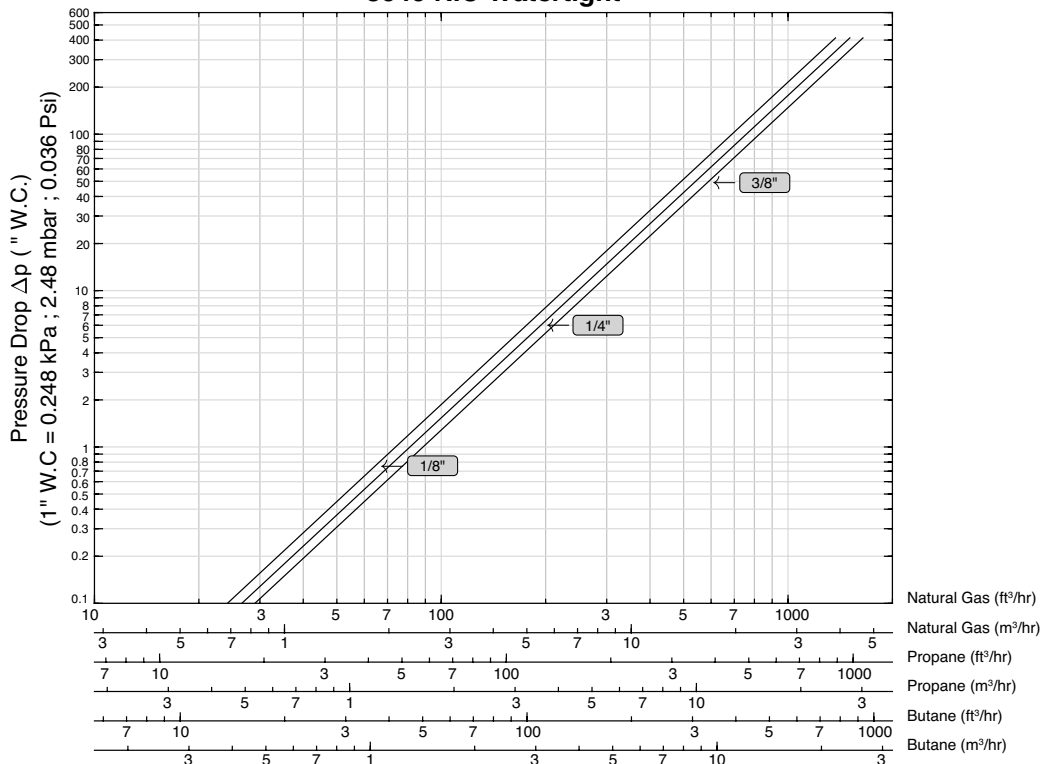
**Capabilities Chart**

Solenoid Options				Base Catalog Number	Resilient Materials	Standard Rebuild Kit
NEMA Type 3-9	High Temp.	Junction Box	Wiring Box Screw Terminal	Aluminum	NBR	AC
EF	HT	-	JKF	8040H006	●	318247
EF	HT	JB	JKF	8040H007	●	318247
EF	HT	JB	JKF	8040H008	●	318247

● = Standard. Other options may be available. All option combinations may not be available.

**Gas Flow Chart**

**8040 N.C Watertight**



Note: Flow curves are based on the following standard conditions: 5 psi (0.3 bar) inlet pressure and 68°F (20°C) fluid temperature.

## Dimensions inches (mm)

