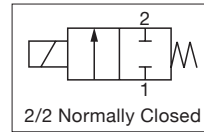


ASCO™ MINIATURE SOLENOID VALVES

DIAPHRAGM COMPACT 2-WAY SOLENOID ISOLATION VALVE

- Direct acting solenoid valve for use with neutral or aggressive liquids in analytical instruments
- Media separating soft-seal PTFE diaphragm, prevents any potential leakage of critical reagents within the instrument compartment
- Low power consumption results in less heat transfer to thermally sensitive reagents and samples
- Small form-factor saves space in OEM instruments and is well-suited for portable and hand-held field devices
- Typical application include:
 - Clinical Diagnostics
 - DNA Sequencing
 - Liquid Chromatography
 - Sample Preparation



Fluids*	Temperature Range	Seal Materials*
Liquids or Gases	0°C to 40°C (32°F to 104°F)	FKM, FFKM

* Ensure that the compatibility of the materials in contact with the fluids is verified.

General Valve Information	
Body	PPS, PEEK
Diaphragm	PTFE
Response Time	< 10ms
Internal Volume	29µl
Max Viscosity	20 cSt (mm ² /s)

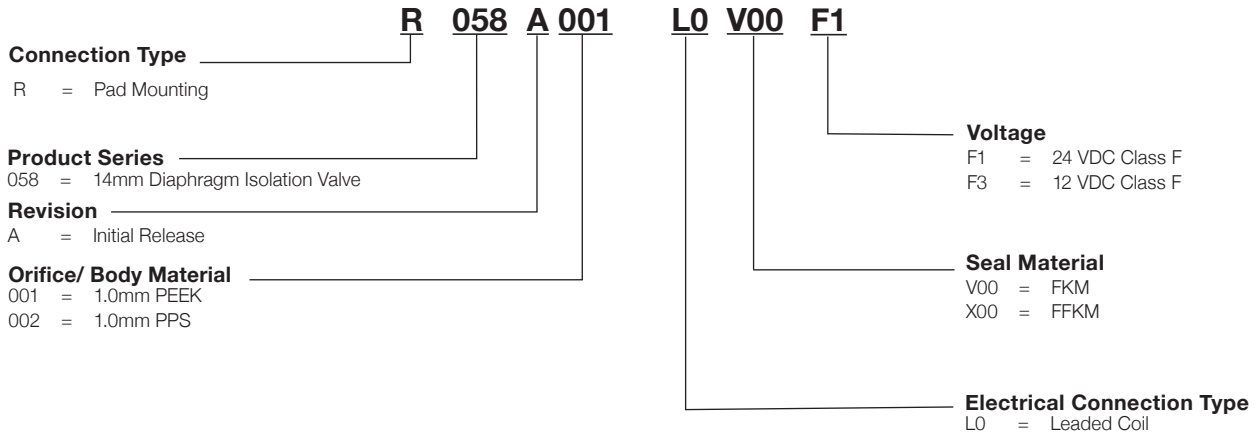
Electrical Characteristics	
Coil Insulation Class	F
Connector	Lead Wires
Connector Specification	28 AWG PTFE coated
Electrical Safety	IEC 335
Electrical Enclosure Protection	IP65 (EN 60529)
Standard Voltages*	12 VDC, 24 VDC (±5%)

Electrical Connection	Power Ratings				Ambient Temperature Range
	Inrush	Holding		Hot/Cold	
	VA	VA	W	W	C° (F°)
L0	-	-	-	2.8	0 to 40 (32 to 104)

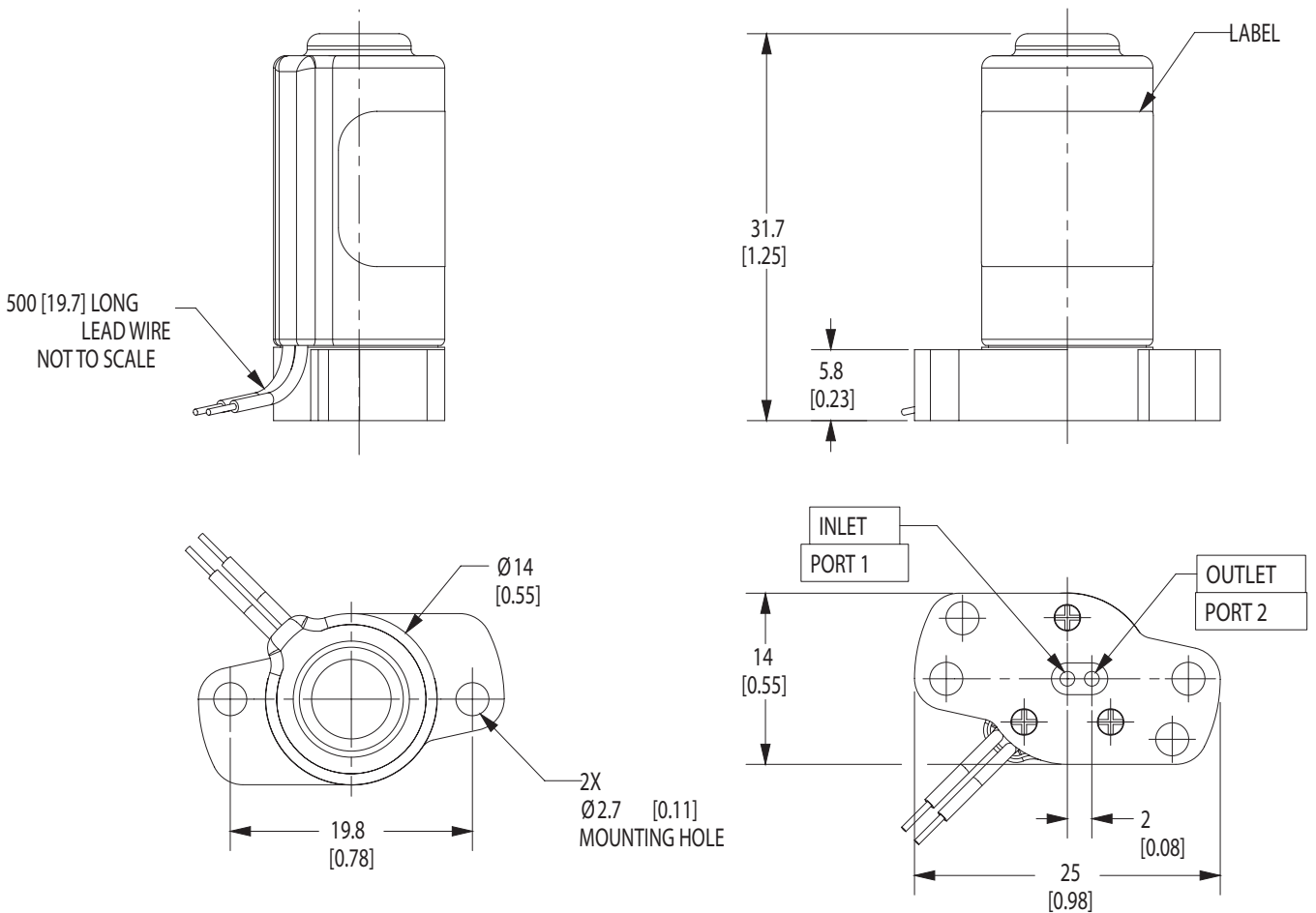
Specifications							
Connection	Orifice Size	Flow Coefficient		Operating Pressure bar (psi)			
				min.	max.	Power Rating (W)	Catalog Number
	mm (inches)	Kv (m ³ /h)	Cv	gas / liquids			
2/2 NC - Normally Closed							
Pad Mounting	1.00 (0.04)	0.018	0.021	-0.2 bar (-2.9 psi)	2.0 bar (29 psi)	2.8	R058A001L0XXXXX
Pad Mounting	1.00 (0.04)	0.018	0.021	-0.2 bar (-2.9 psi)	2.0 bar (29 psi)	2.8	R058A002L0XXXXX

01083GB-2019-R01

How to Order



Dimensions: mm (inches)



01083GB-2019-R01